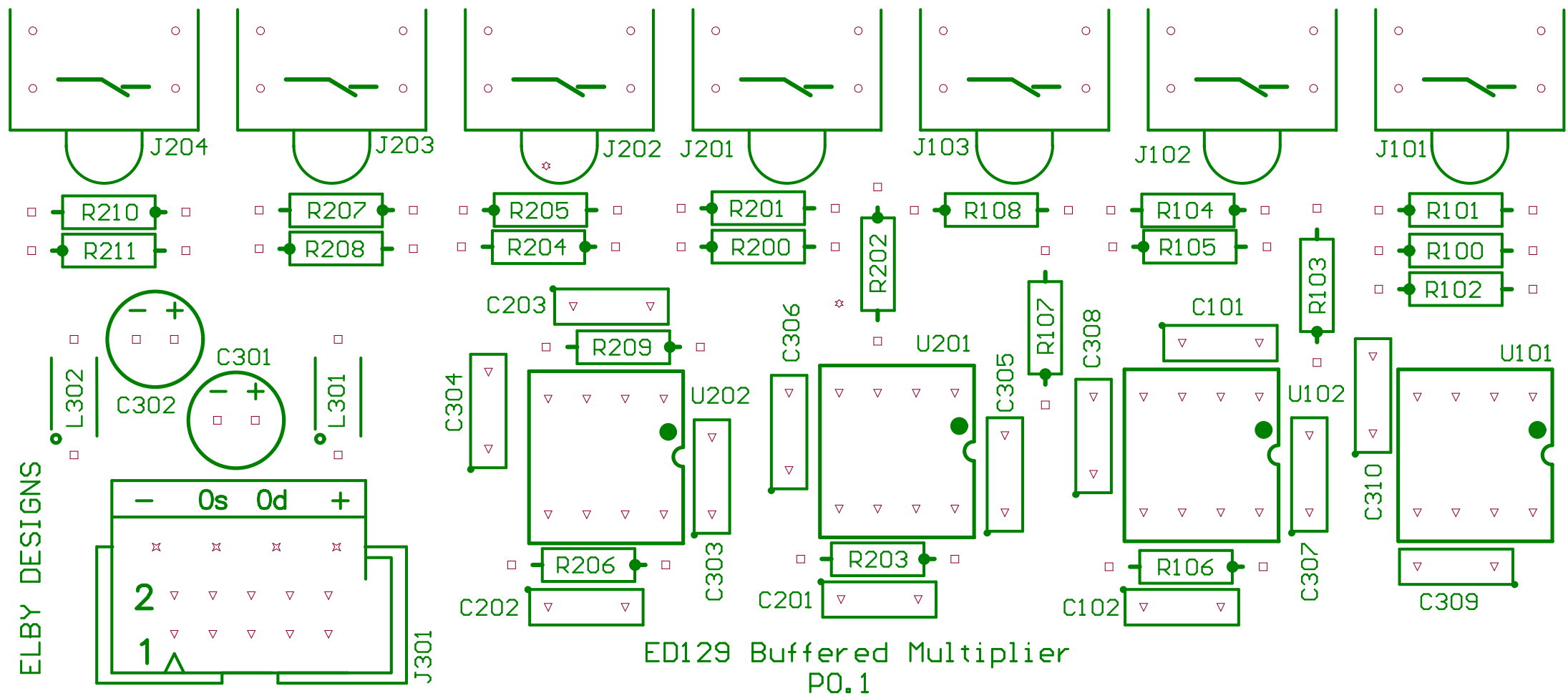


ELBY DESIGNS



ED129 Buffered Multiplier
PO.1