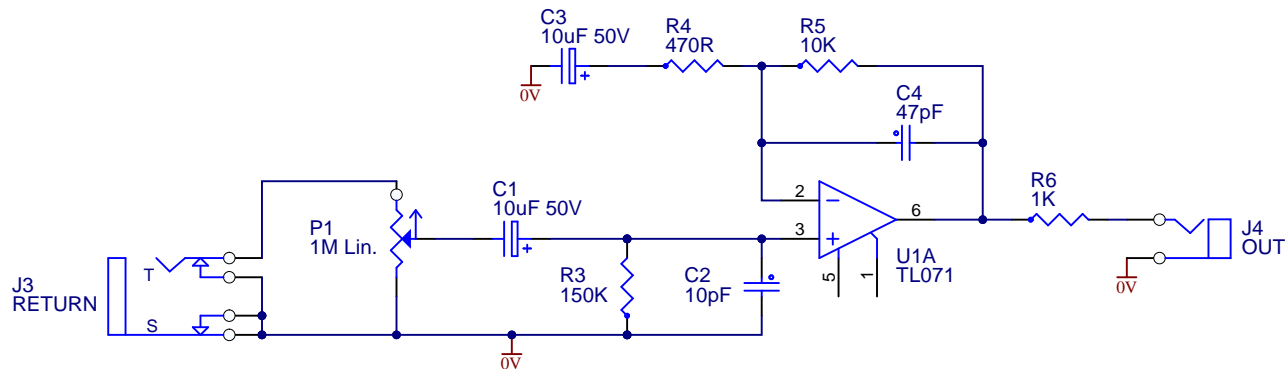
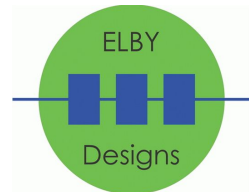
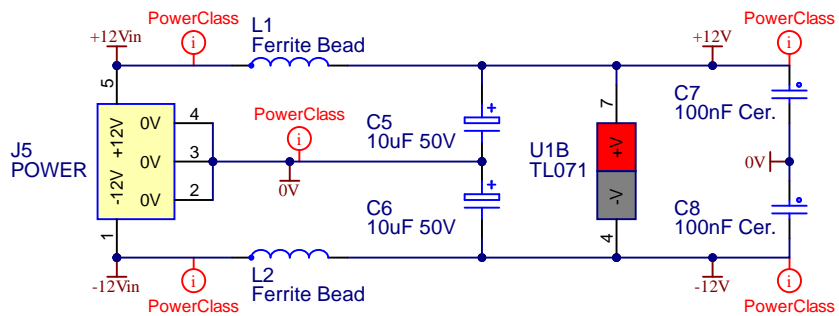


## SEND



## RECEIVE

R2	R4	GAIN	Signal @ J2
1K	470R	22	220mV
2K	1K	10	500mV
4K3	2K4	5	1V



5 Dunning Avenue  
George Town  
TAS 7253  
Australia

**IMPORTANT NOTICE:**  
Information disclosed by this drawing is the property of ELBY Designs.  
Duplication or manufacturing rights granted by written permission only.



## CGS760 - StompBox Adaptor

Size A4	FCSMNo. 1/08/2025	DWG No. cgs760.schdoc	Rev V0.0
Scale	Laurie Biddulph		Sheet 1 of 1