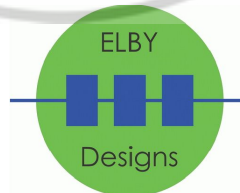


cgs749-power.schdoc



cgs749-distortion.schdoc



9 Follan Close  
Kariang  
NSW 2250  
Australia

**IMPORTANT NOTICE:**

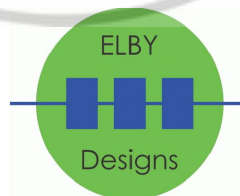
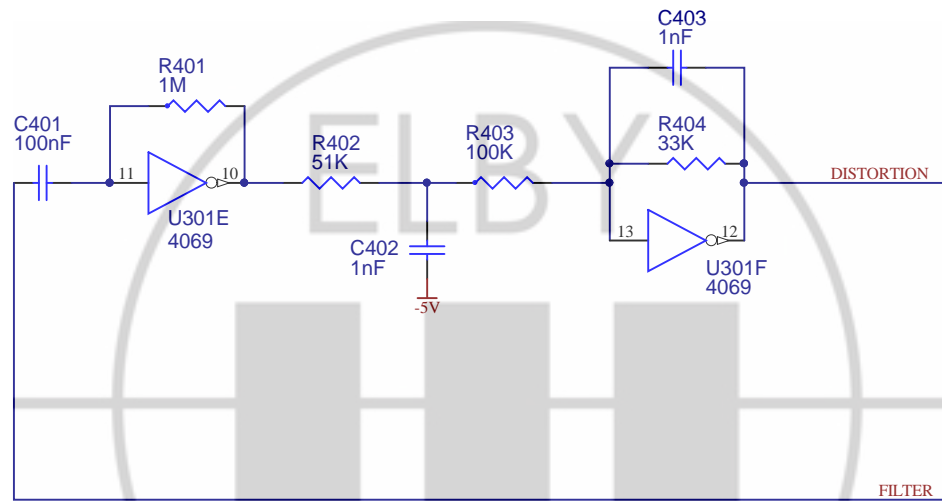
Information disclosed by this drawing is the property of ELBY Designs. Duplication or manufacturing rights granted by written permission only.

**CGS749 - WASP Filter**

**WASP Filter**

Reproduced with permission from Ken Stone

Size A4	FCSM No. 2/05/2020	DWG No. cgs749-filter.schdoc	Rev P0.0
Scale	Laurie Biddulph		Sheet 1 of 3



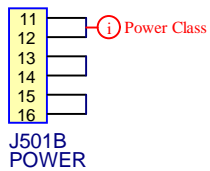
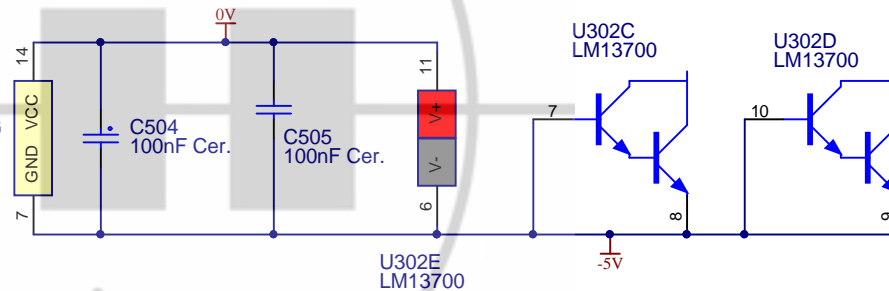
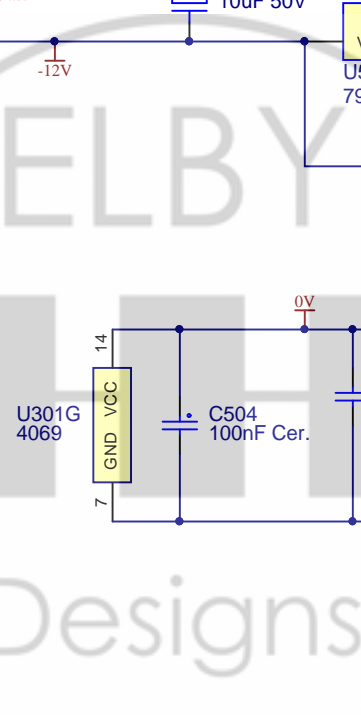
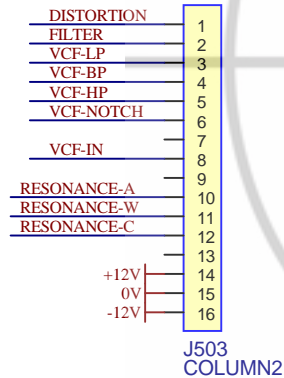
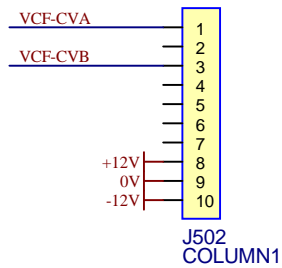
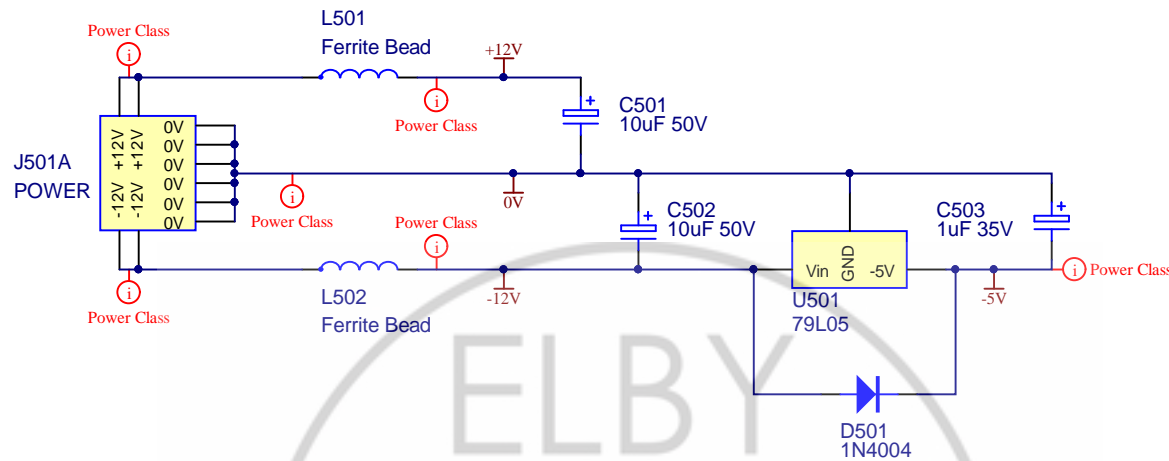
9 Follan Close  
Kariang  
NSW 2250  
Australia

**IMPORTANT NOTICE:**  
Information disclosed by this drawing is the property of ELBY Designs.  
Duplication or manufacturing rights granted by written permission only.

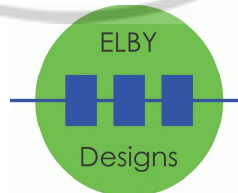
## CGS749 - WASP Filter Controller

Reproduced with permission from Ken Stone

Size A4	FCSM No. 2/05/2020	DWG No. cgs749-distortion.schdoc	Rev V0.2
Scale	Laurie Biddulph		Sheet 2 of 3



N-Tick



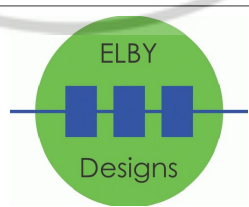
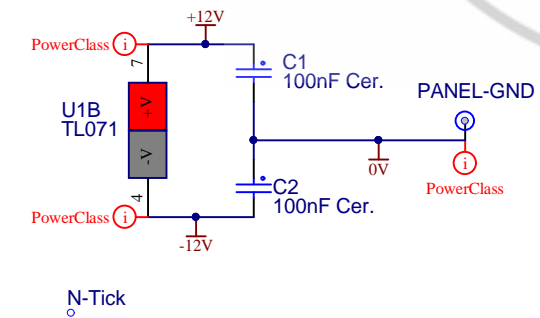
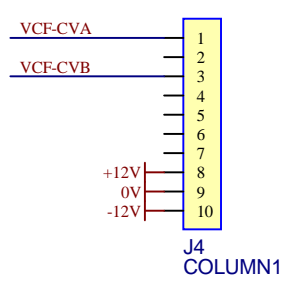
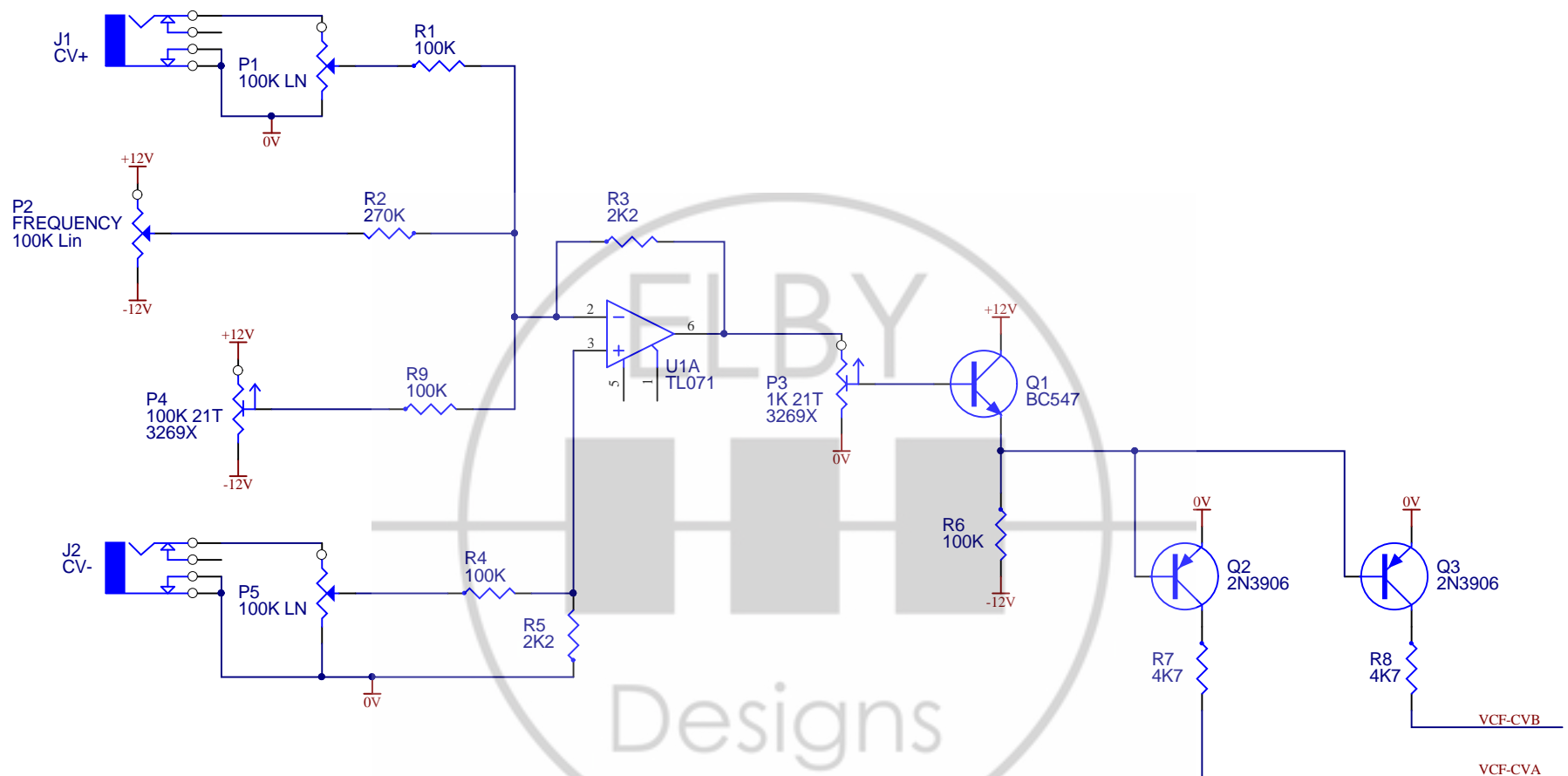
9 Follan Close  
 Kariong  
 NSW 2250  
 Australia

**IMPORTANT NOTICE:**  
 Information disclosed by this drawing is the property of ELBY Designs.  
 Duplication or manufacturing rights granted by written permission only.

## CGS749 - WASP Filter Power Supply

Reproduced with permission from Ken Stone

Size A4	FCSM No. 2/05/2020	DWG No. cgs749-power.schdoc	Rev V0.2
Scale	Laurie Biddulph		Sheet 3 of 3



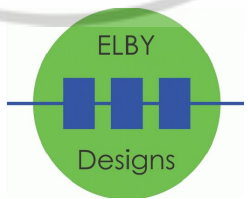
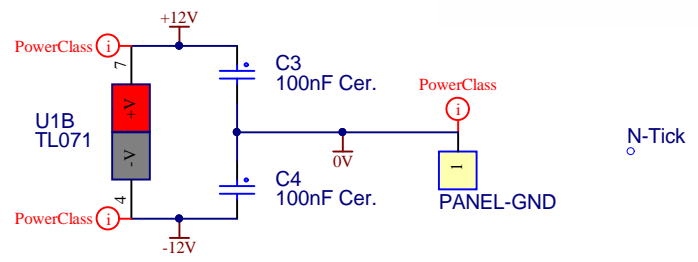
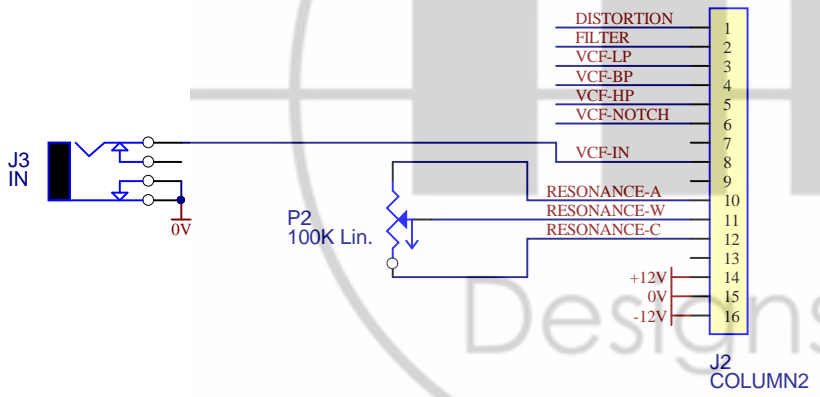
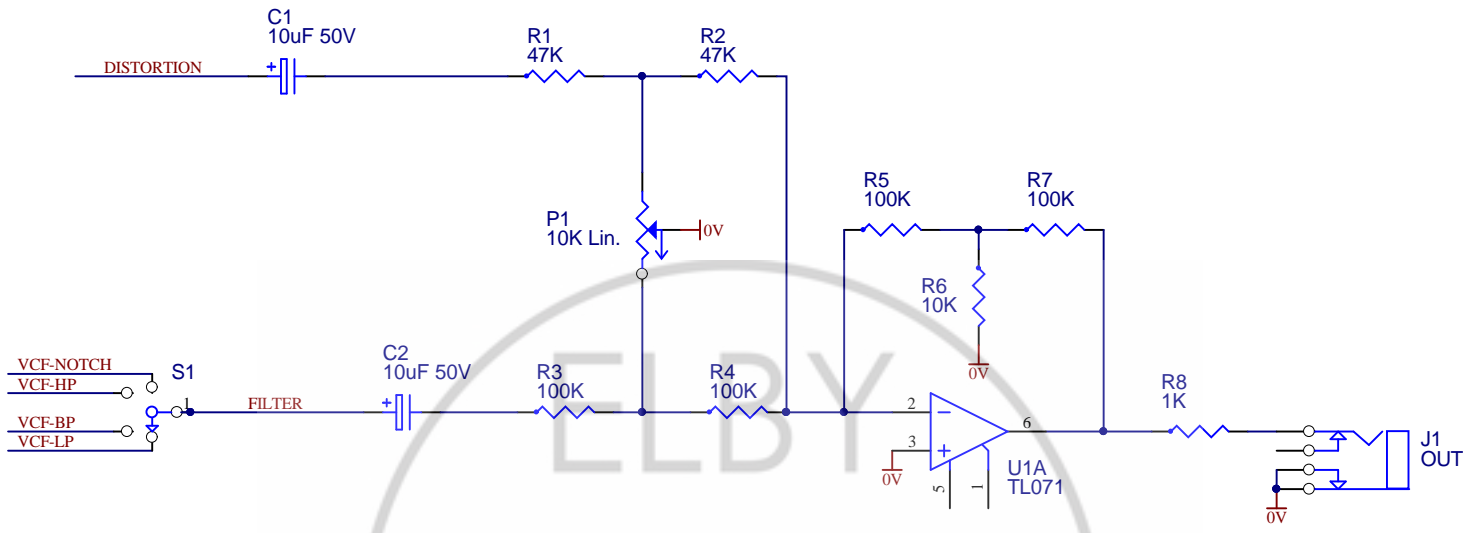
9 Follan Close  
Karingong  
NSW 2250  
Australia

**IMPORTANT NOTICE:**  
Information disclosed by this drawing is the property of ELBY Designs.  
Duplication or manufacturing rights granted by written permission only.

## CGS749 - WASP Filter COLUMN 1

Reproduced with permission from Ken Stone

Size A4	FCSM No. 2/05/2020	DWG No. cgs749-column1.schdoc	Rev V0.2
Scale	Laurie Biddulph		Sheet 1 of 1



9 Follan Close  
Kariong  
NSW 2250  
Australia

**IMPORTANT NOTICE:**  
Information disclosed by this drawing is the property of ELBY Designs.  
Duplication or manufacturing rights granted by written permission only.

## CGS749 - WASP Filter COLUMN 2

Reproduced with permission from Ken Stone

Size A4	FCSM No. 2/05/2020	DWG No. cgs749-column2.schdoc	Rev V0.2
Scale	Laurie Biddulph		Sheet 1 of 1