

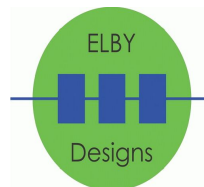
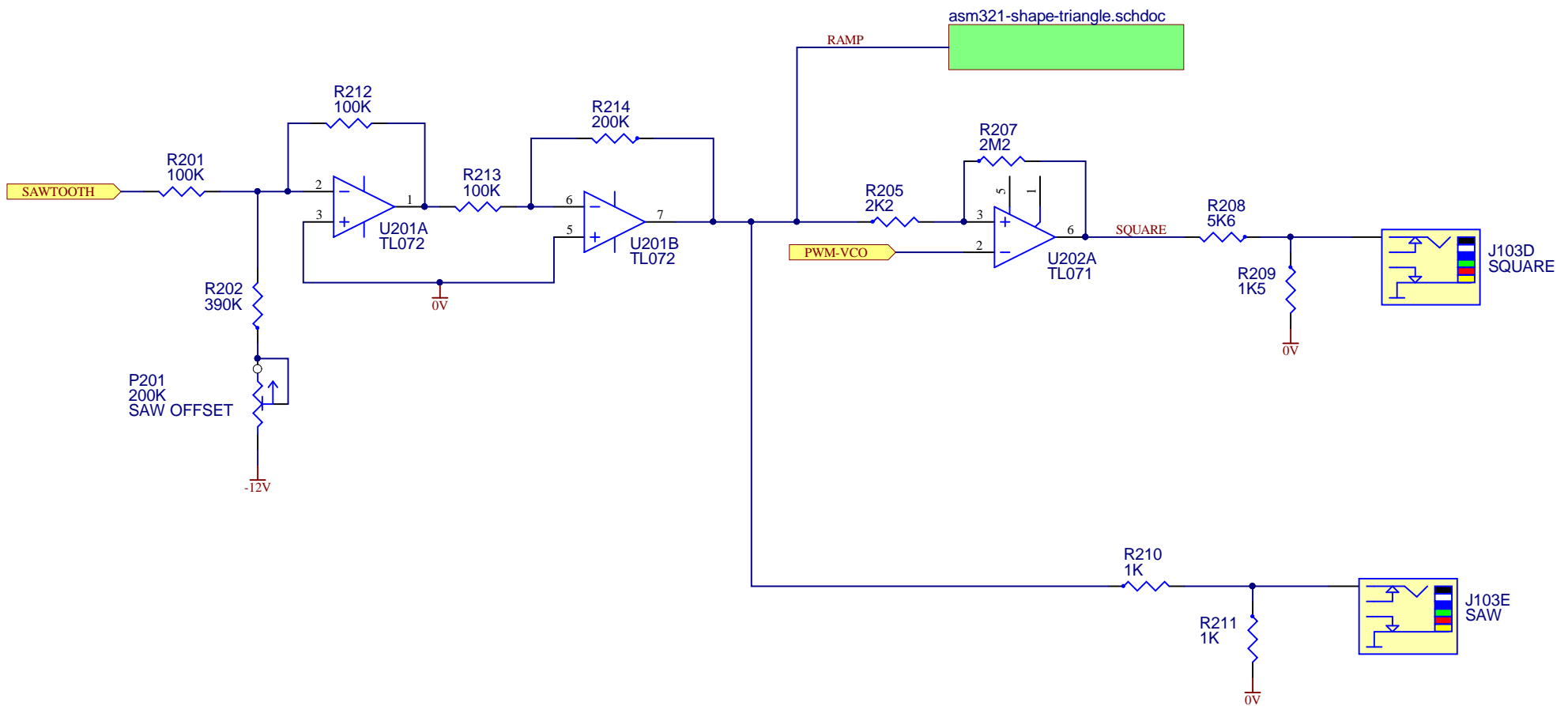
ELBY
Designs

9 Follan Close
Kariong
NSW 2250
Australia

IMPORTANT NOTICE:
Information disclosed by this drawing is the property of ELBY Designs.
Duplication or manufacturing rights granted by written permission only.

ASM321 - Basic VCO ASM-1 VCO Core Interface

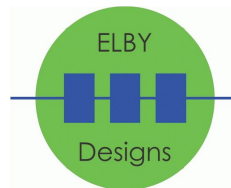
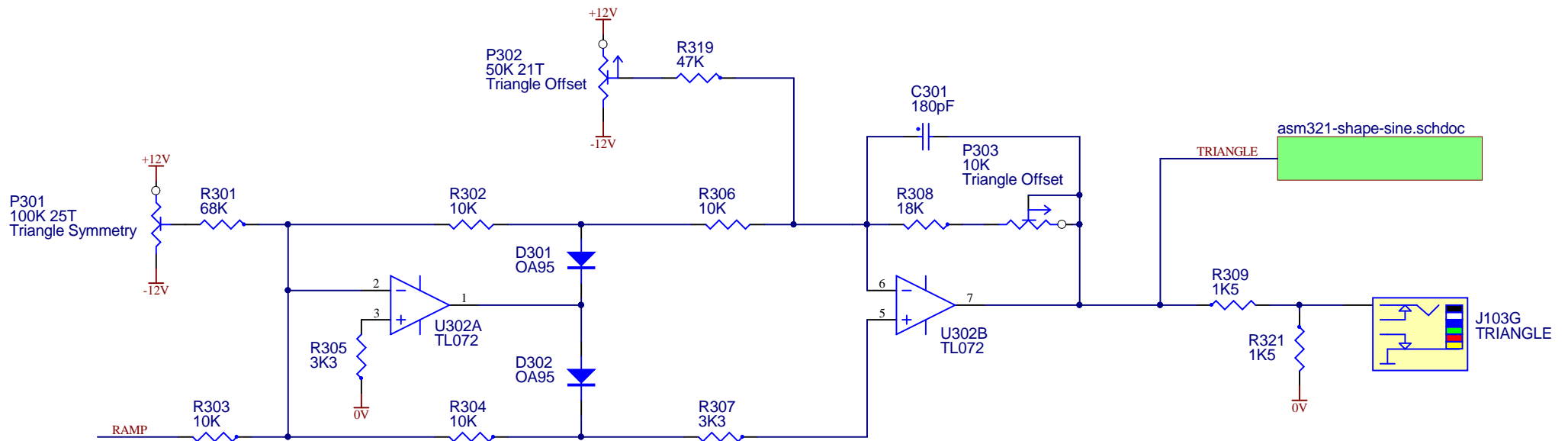
Size A4	FCSM No. 11/08/2021	DWG No. asm321-core.schdoc	Rev 0.6
Scale	Laurie Biddulph		Sheet 1 of 5



9 Follan Close
Kariang
NSW 2250
Australia

ASM321 - Basic VCO WaveShaper Part 1

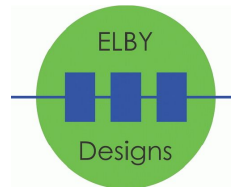
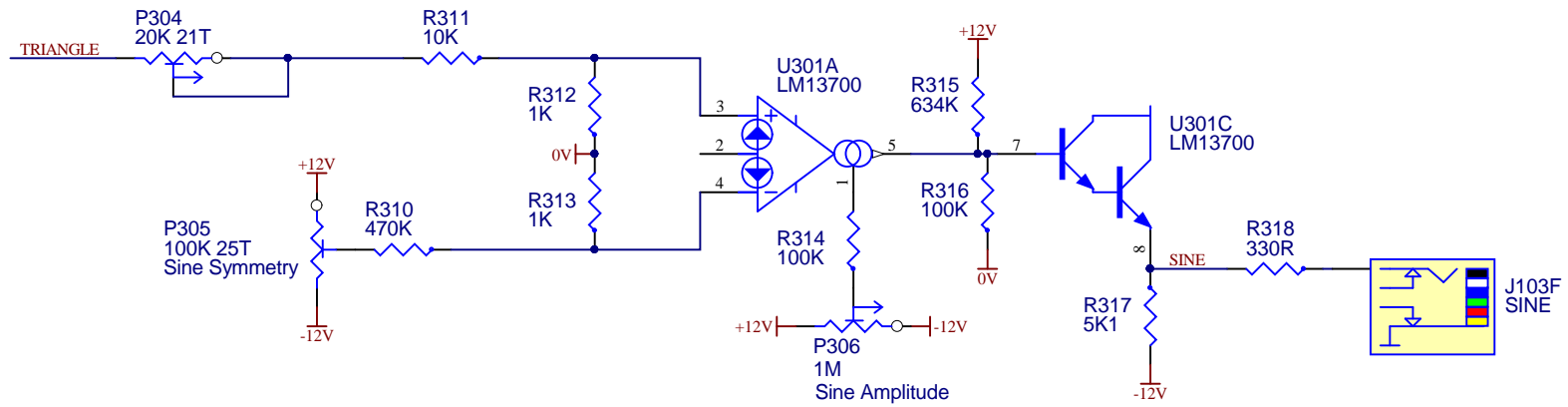
Size A4	FCSM No. 11/08/2021	DWG No. asm321-shape1.schdoc	Rev 0.6
Scale		Laurie Biddulph	Sheet 2 of 5



9 Follan Close
Kariong
NSW 2250
Australia

ASM321 - Basic VCO WaveShaper - Saw to Triangle

Size A4	FCSM No. 11/08/2021	DWG No. asm321-shape-triangle.schdoc	Rev 0.6
Scale	Laurie Biddulph		Sheet 3 of 5



9 Follan Close
Kariong
NSW 2250
Australia

ASM321 - Basic VCO WaveShaper - Triangle to Sine

Size A4	FCSM No. 11/08/2021	DWG No. asm321-shape-sine.schdoc	Rev 0.6
Scale	Laurie Biddulph		Sheet 4 of 5

1

2

3

4

A

A

B

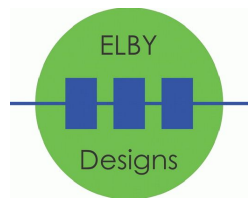
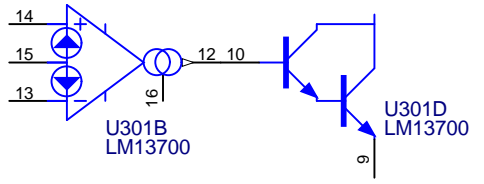
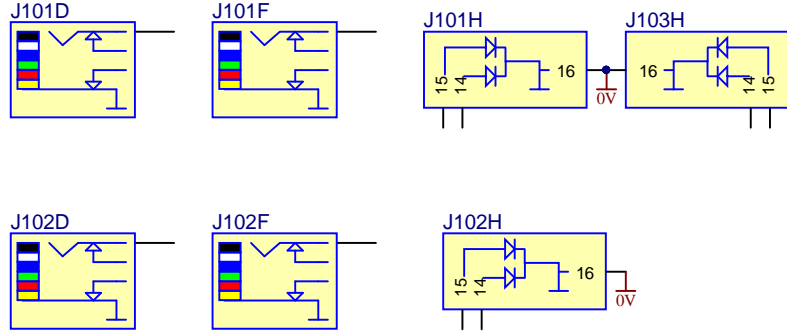
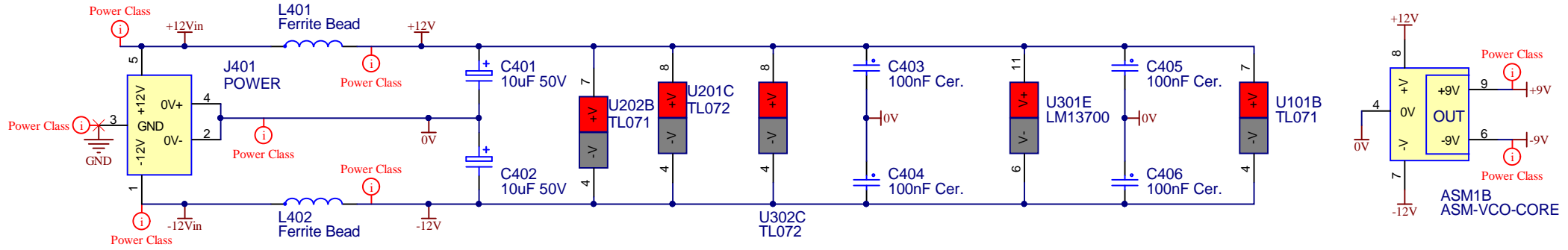
B

C

C

D

D



9 Follan Close
Kariang
NSW 2250
Australia

IMPORTANT NOTICE:
Information disclosed by this drawing is the property of ELBY Designs.
Duplication or manufacturing rights granted by written permission only.

ASM321 - Basic VCO Power Supply

Size A4	FCSM No. 11/08/2021	DWG No. asm321-power.schdoc	Rev 0.6
Scale	Laurie Biddulph		Sheet 5 of 5

1

2

3

4