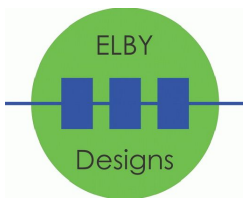


asm306-headphone-right.schdoc

asm306-power.schdoc



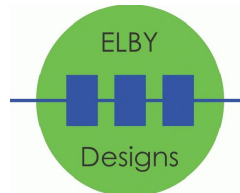
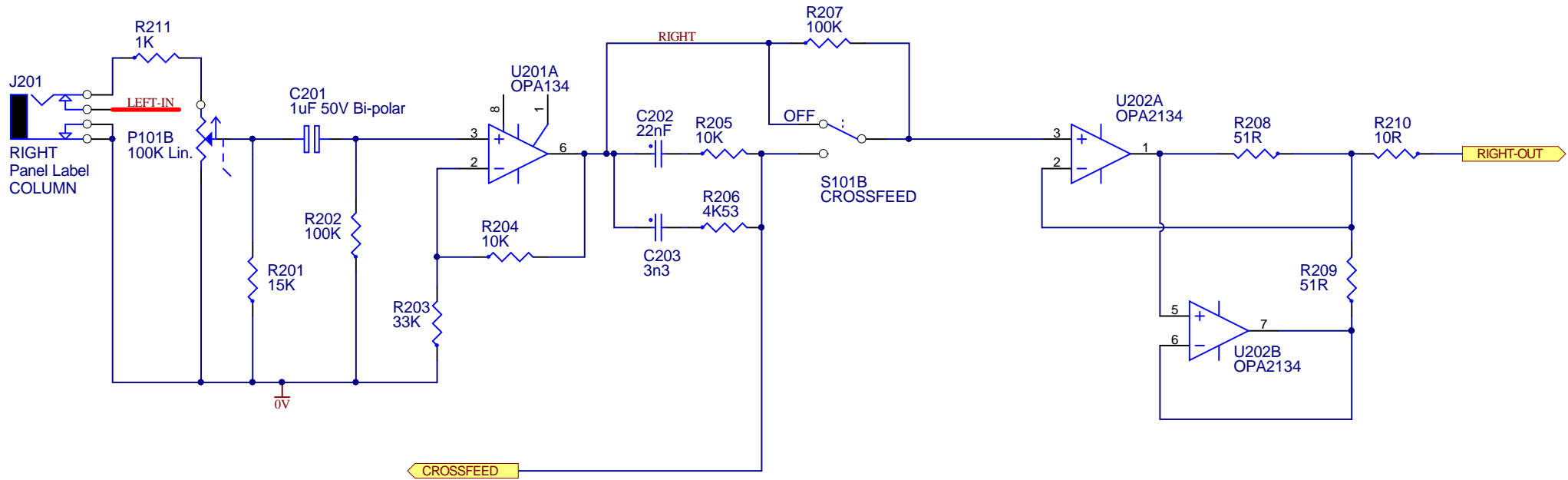
9 Follan Close
Karingong
NSW 2250
Australia

IMPORTANT NOTICE:
Information disclosed by this drawing is the property of ELBY Designs.
Duplication or manufacturing rights granted by written permission only.

ASM306 - Audio Out Headphone Amplifier - Left Channel

Based on a design by Rod Elliott

Size A4	FCSM No. 18/02/2021	DWG No. asm306-headphone-left.schdoc	Rev 0.2
Scale		Laurie Biddulph	Sheet 1 of 4



9 Follan Close
Karingong
NSW 2250
Australia

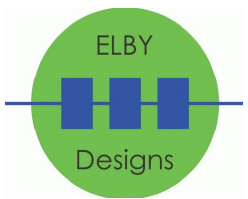
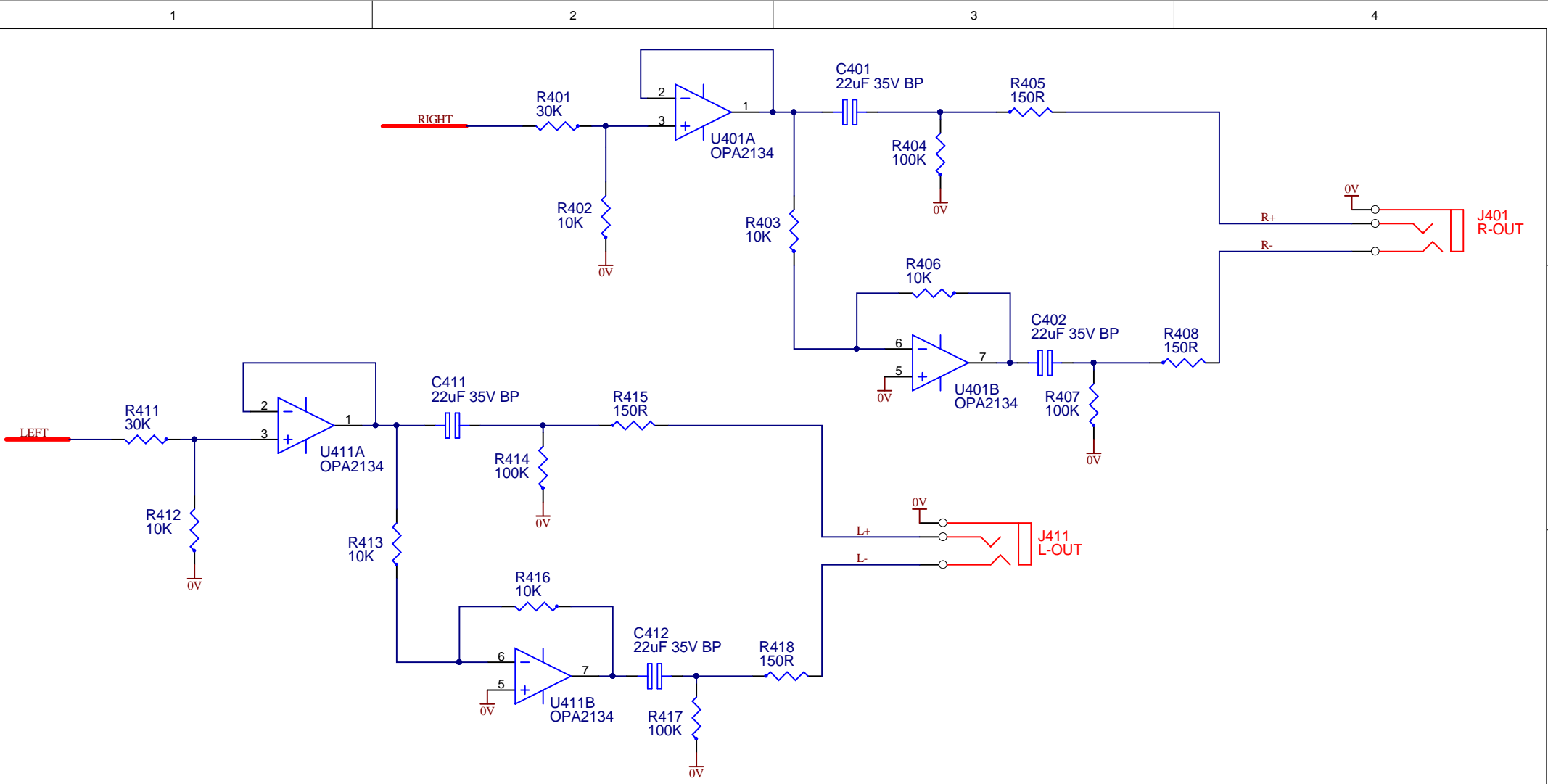
IMPORTANT NOTICE:

Information disclosed by this drawing is the property of ELBY Designs.
Duplication or manufacturing rights granted by written permission only.

ASM306 - Audio Out Headphone Amplifier - Right Channel

Based on a design by Rod Elliott

Size A4	FCSM No. 18/02/2021	DWG No. asm306-headphone-right.schdoc	Rev 0.2
Scale		Laurie Biddulph	Sheet 2 of 4

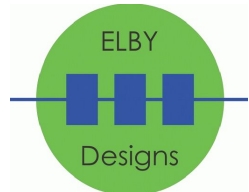
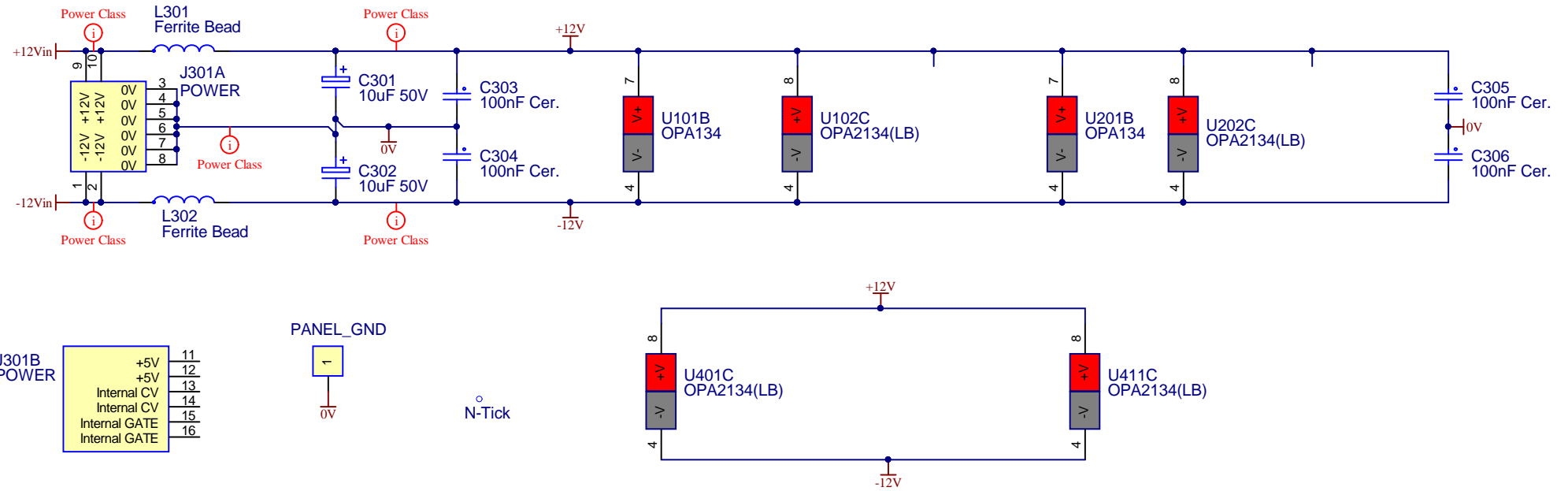


9 Follan Close
Kariang
NSW 2250
Australia

IMPORTANT NOTICE:
Information disclosed by this drawing is the property of ELBY Designs.
Duplication or manufacturing rights granted by written permission only.

ASM306 - Audio Out Balanced Driver Outputs

Size A4	FCSM No. 18/02/2021	DWG No. asm306-balanced-out.schdoc	Rev 0.2
Scale	Laurie Biddulph		Sheet 3 of 4



9 Follan Close
Karingong
NSW 2250
Australia

IMPORTANT NOTICE:
Information disclosed by this drawing is the property of ELBY Designs.
Duplication or manufacturing rights granted by written permission only.

ASM306 - Audio Out Power Supply

Based on a design by Rod Elliott

Size A4	FCSM No. 18/02/2021	DWG No. asm306-power.schdoc	Rev 0.2
Scale		Laurie Biddulph	Sheet 4 of 4