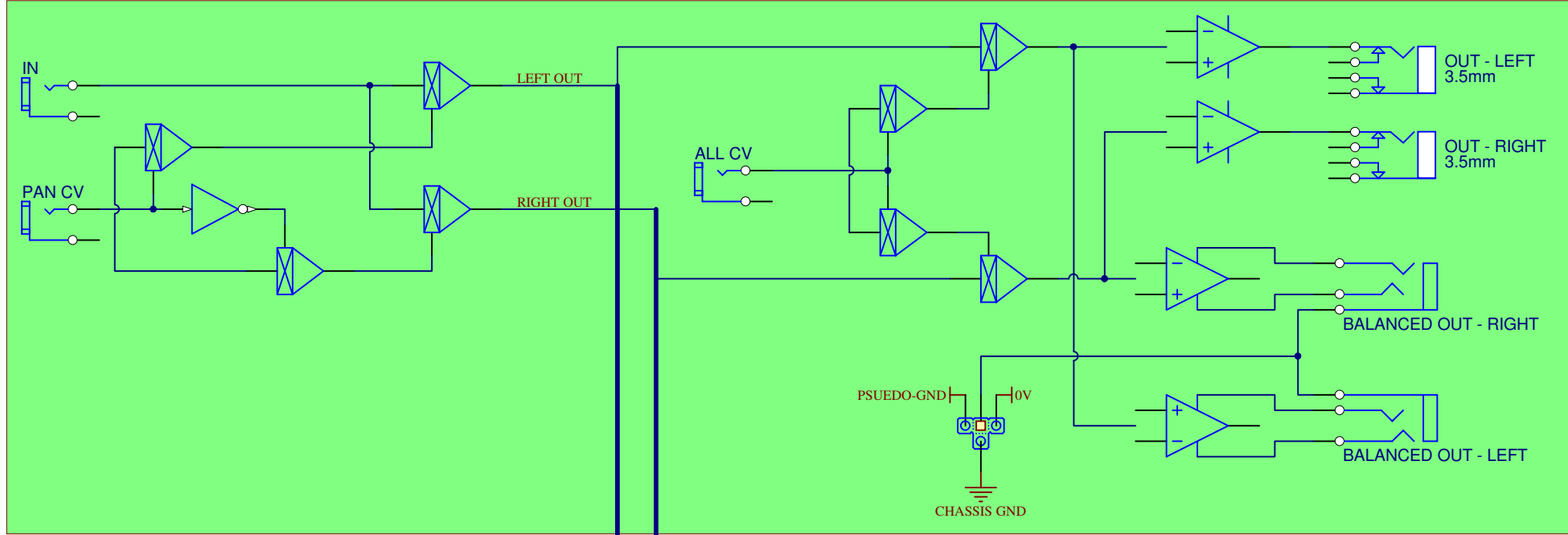
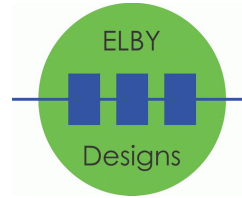
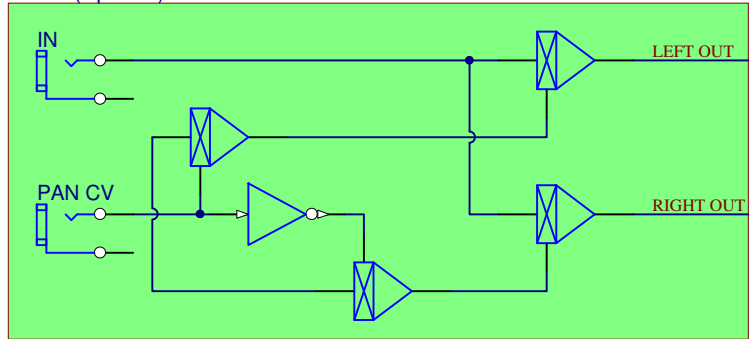


ES31



ES30 (Optional)



9 Follan Close
Karing
NSW 2250
Australia

IMPORTANT NOTICE:
Information disclosed by this drawing is the property of ELBY Designs.
Duplication or manufacturing rights granted by written permission only.



STEREO PANNER MIXER Block Diagram

Size A4	FCSM No. 27/10/2018	DWG No. block.schdoc	Rev 1
Scale	Laurie Biddulph	Sheet 1 of 1	