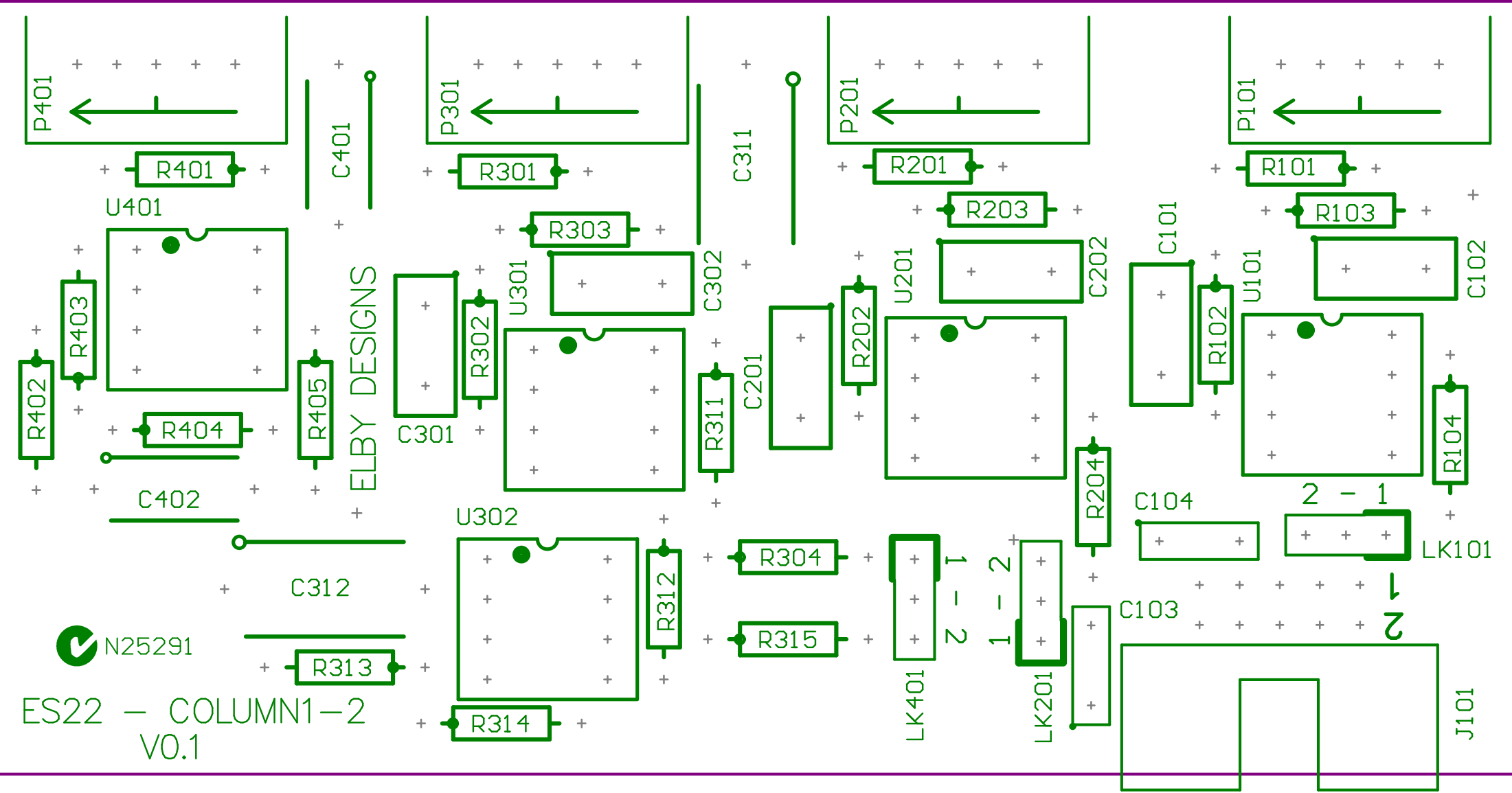
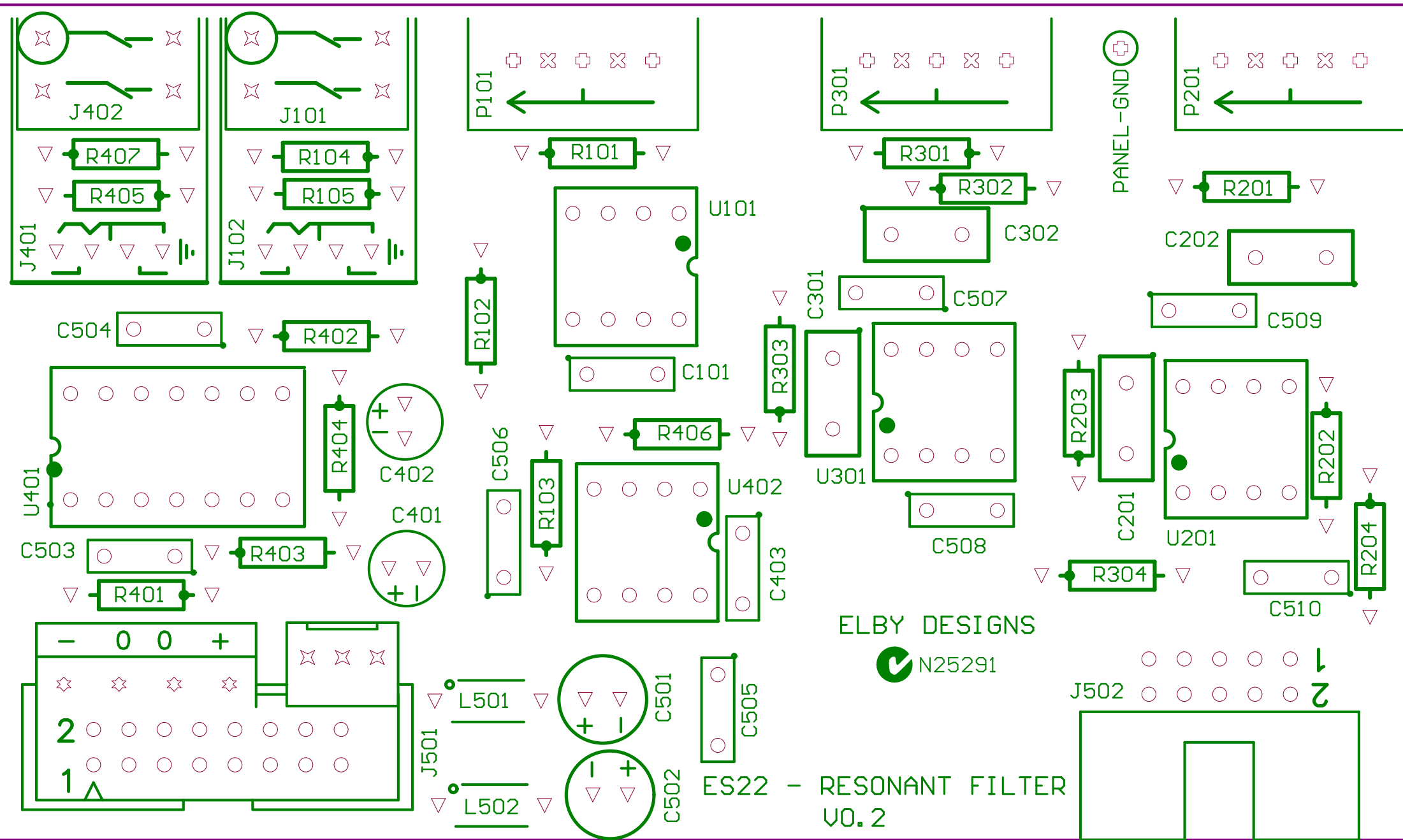


Column 1 PCB Overlay



Column 2 PCB Overlay



ELBY DESIGNS



N25291

ES22 - RESONANT FILTER  
UO.2