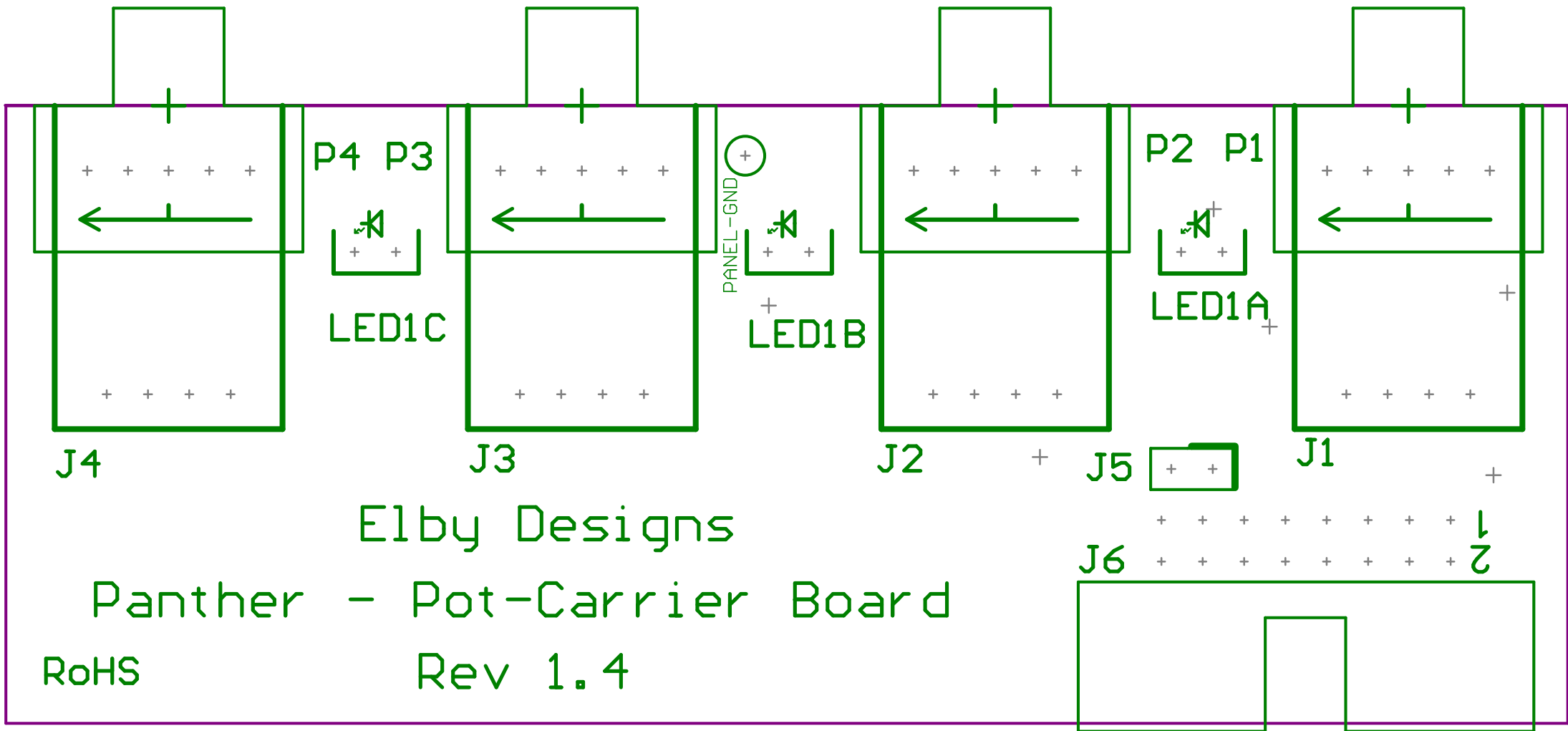
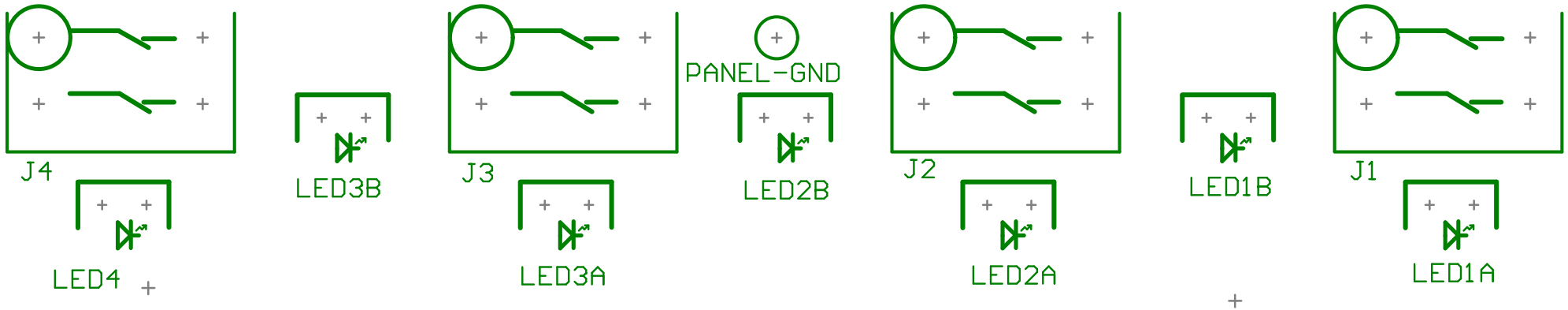


Column 1 PCB Overlay





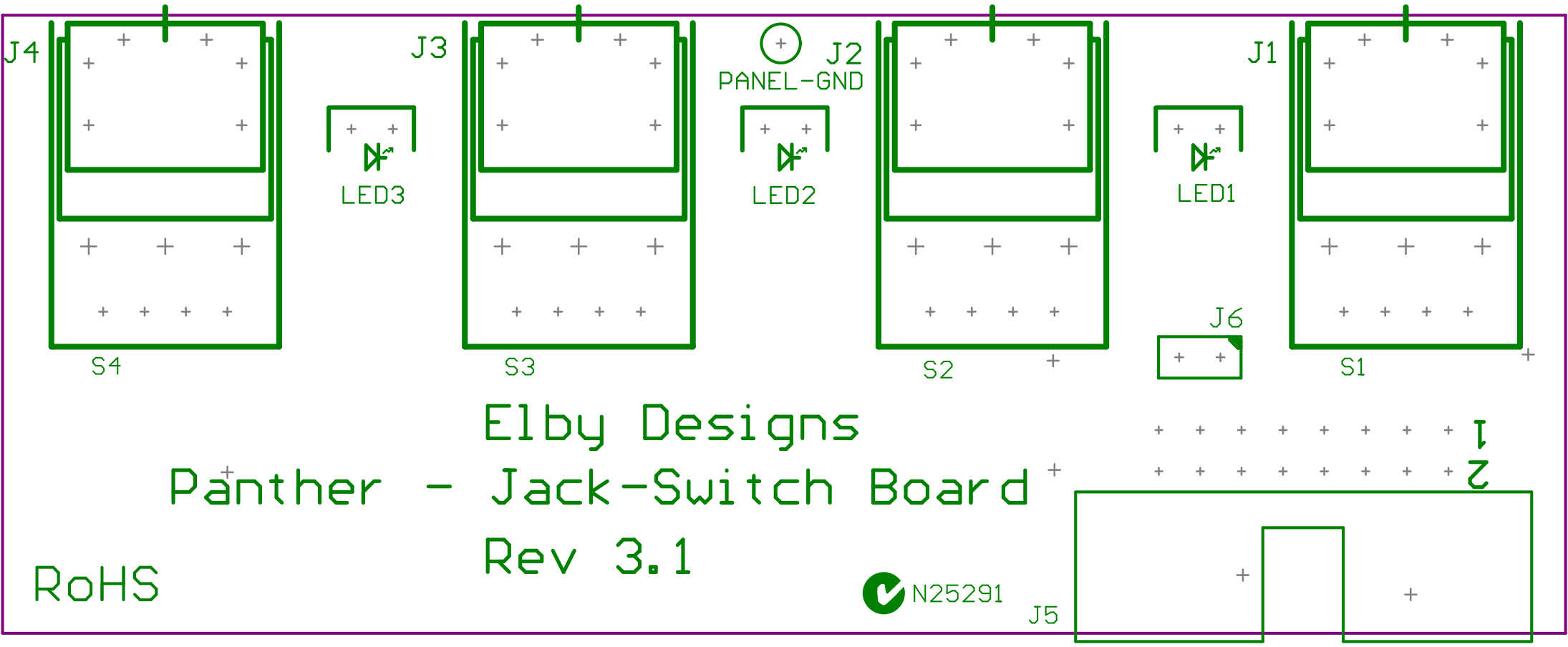
RoHS

ELBY DESIGNS

Jack-LED Support Board +

Rev 5.3



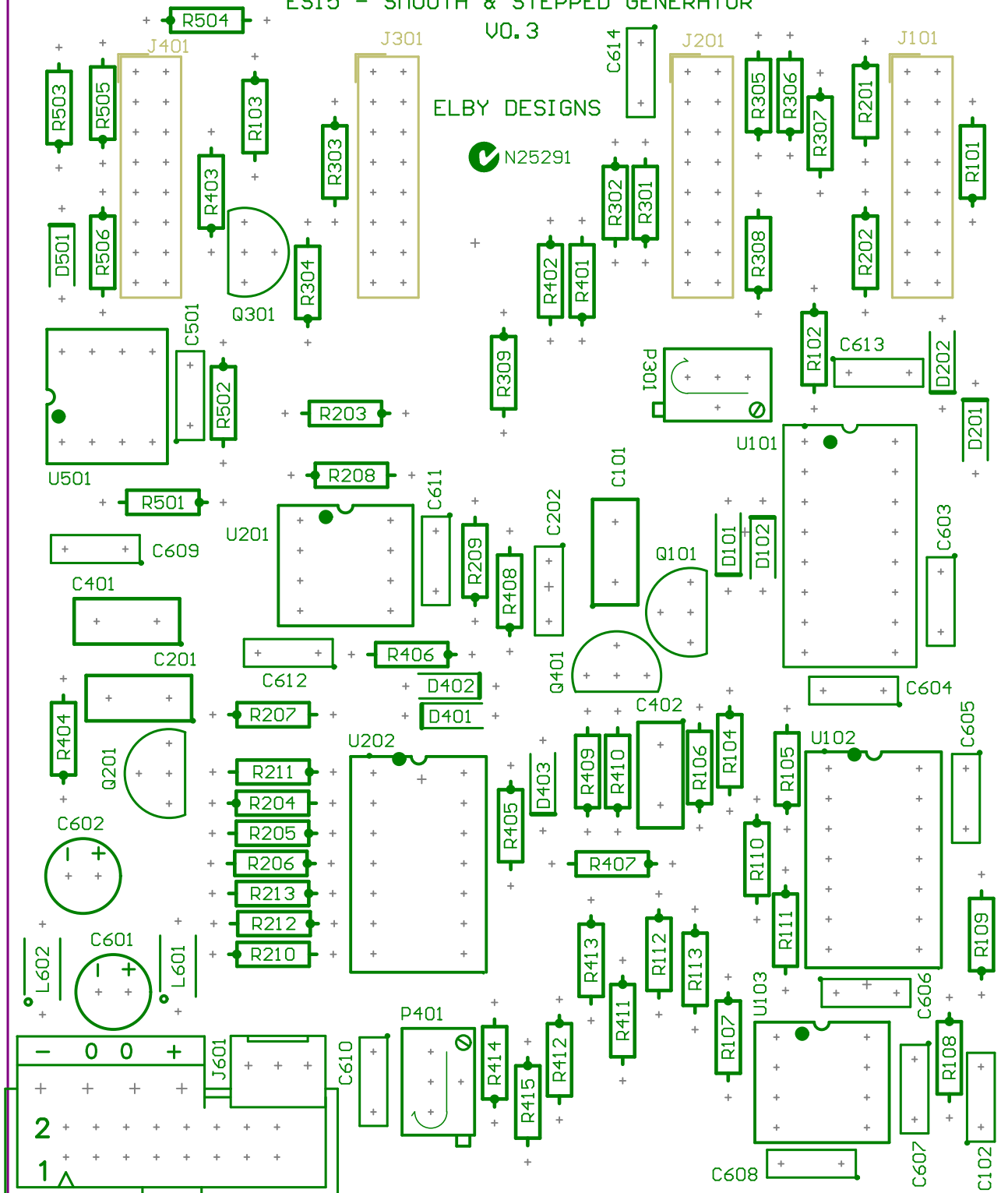


Column 4 PCB Overlay

# ES15 - SMOOTH & STEPPED GENERATOR

U0.3

ELBY DESIGNS



Backboard PCB Overlay