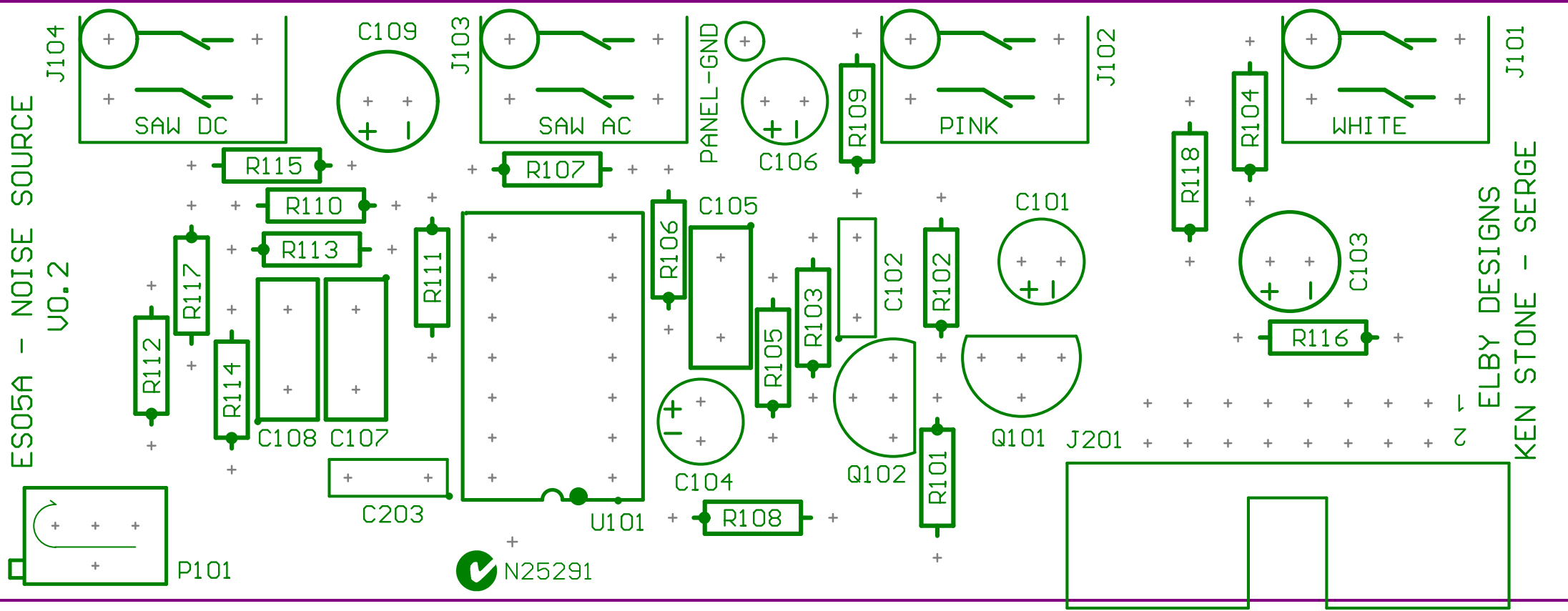


ES05A - NOISE SOURCE

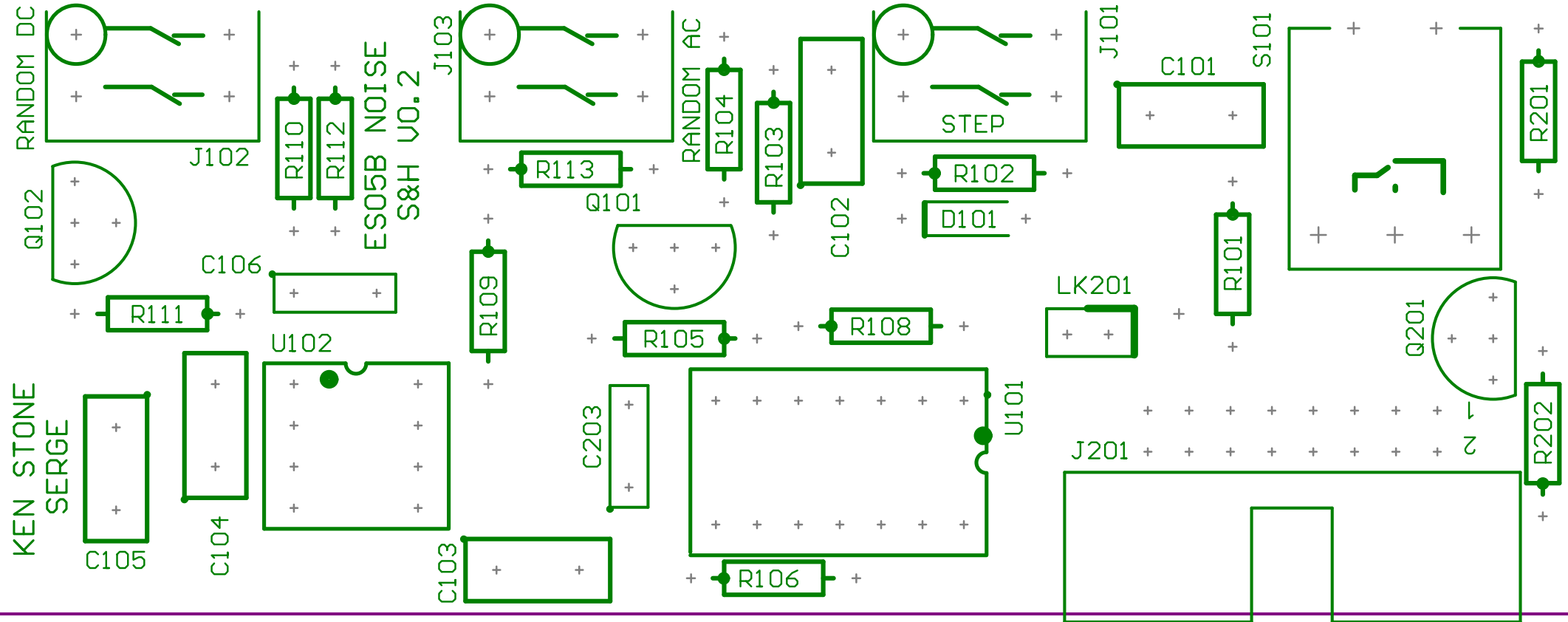
V0.2



ELBY DESIGNS
KEN STONE - SERGE

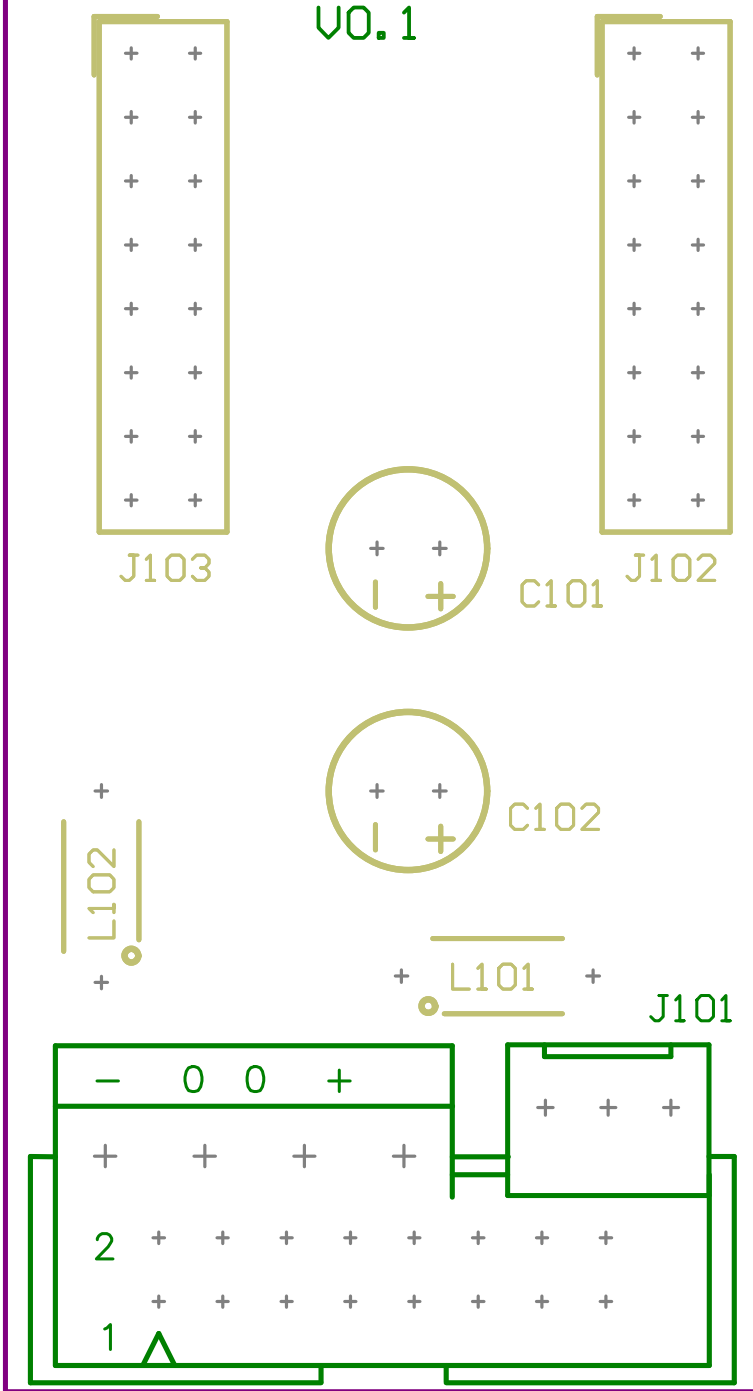
ELBY DESIGNS

KEN STONE
SERGE



Column 2 PCB Overlay

ELBY DESIGNS
ES05C - NOISE SOURCE
V0.1



Backboard PCB Overlay