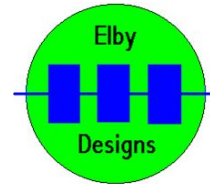
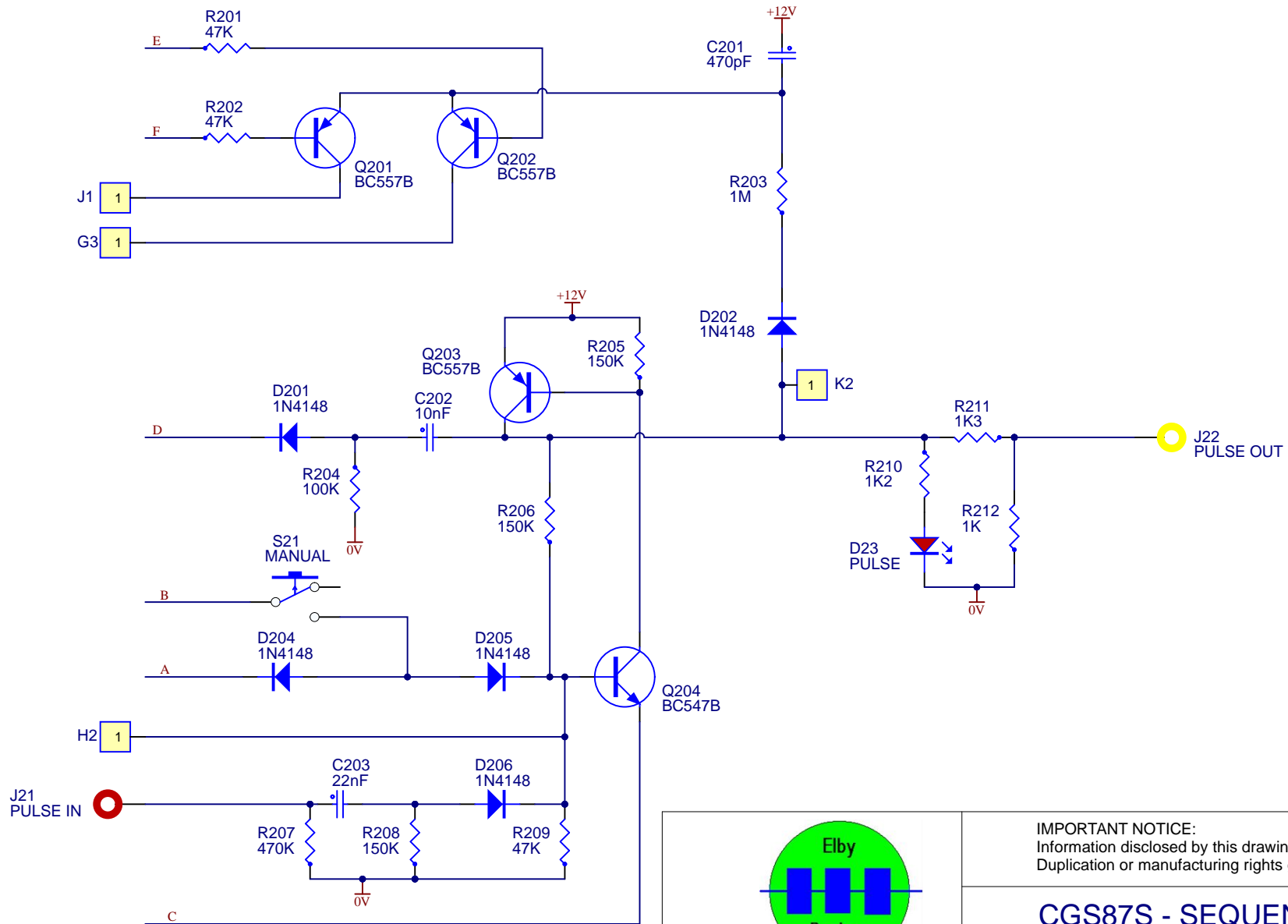


9 Follan Close
Kariang
NSW 2250
Australia

IMPORTANT NOTICE:
Information disclosed by this drawing is the property of ELBY Designs.
Duplication or manufacturing rights granted by written permission only.

CGS87S - SEQUENCE-PROGRAMMER Programmer Stage

Size A4	FCSMNo. 4/03/2022	DWG No. cgs87s-stage1.schdoc	Rev V1.0
Scale	Laurie Biddulph	Sheet 1 of 5	

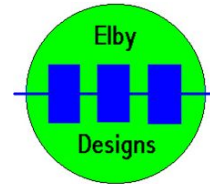
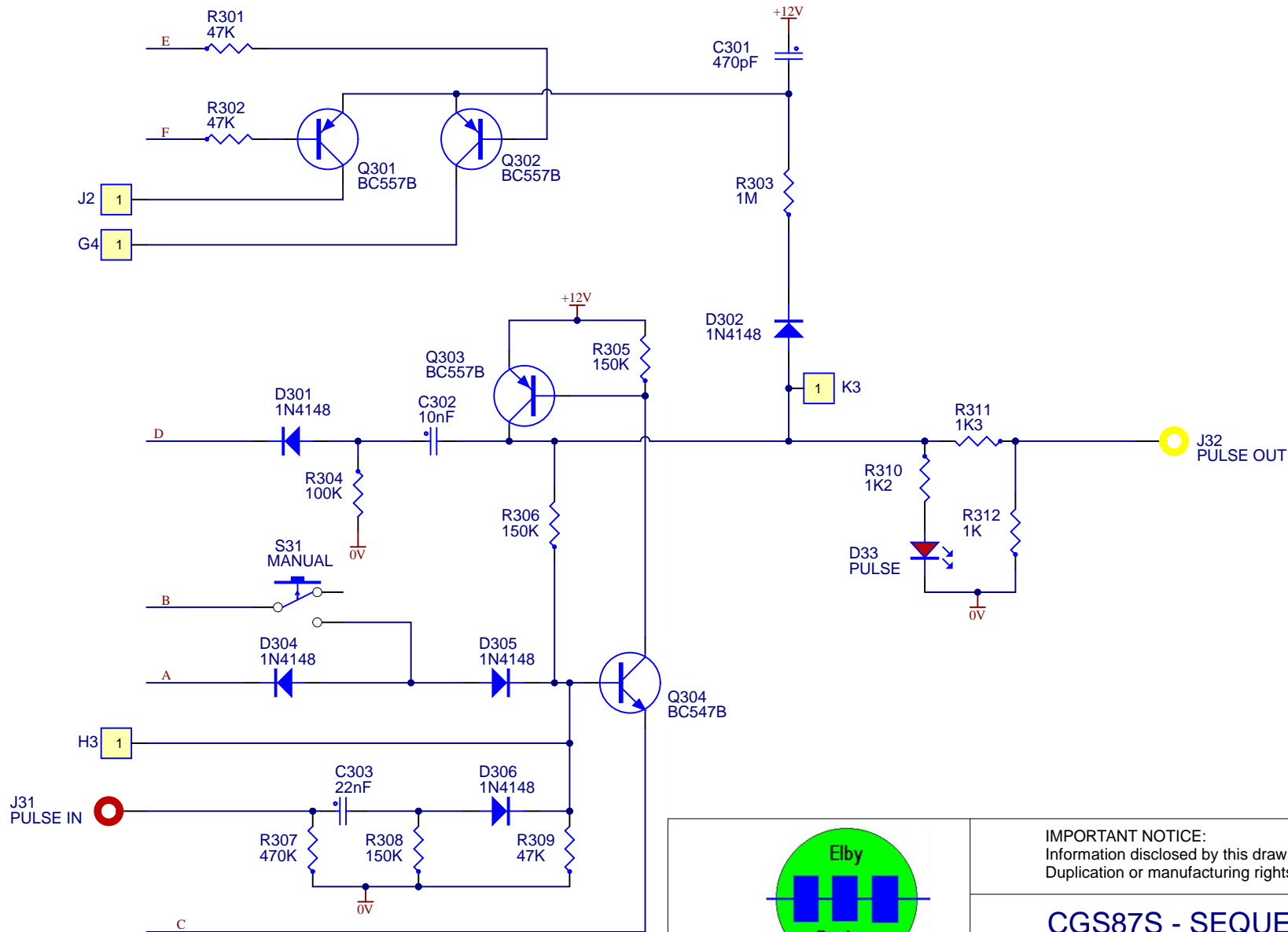


9 Follan Close
Kariang
NSW 2250
Australia

IMPORTANT NOTICE:
Information disclosed by this drawing is the property of ELBY Designs.
Duplication or manufacturing rights granted by written permission only.

CGS87S - SEQUENCE-PROGRAMMER Programmer Stage

Size A4	FCSM No. 4/03/2022	DWG No. cgs87s-stage2.schdoc	Rev V1.0
Scale	Laurie Biddulph		Sheet 2 of 5

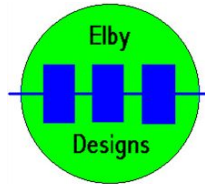
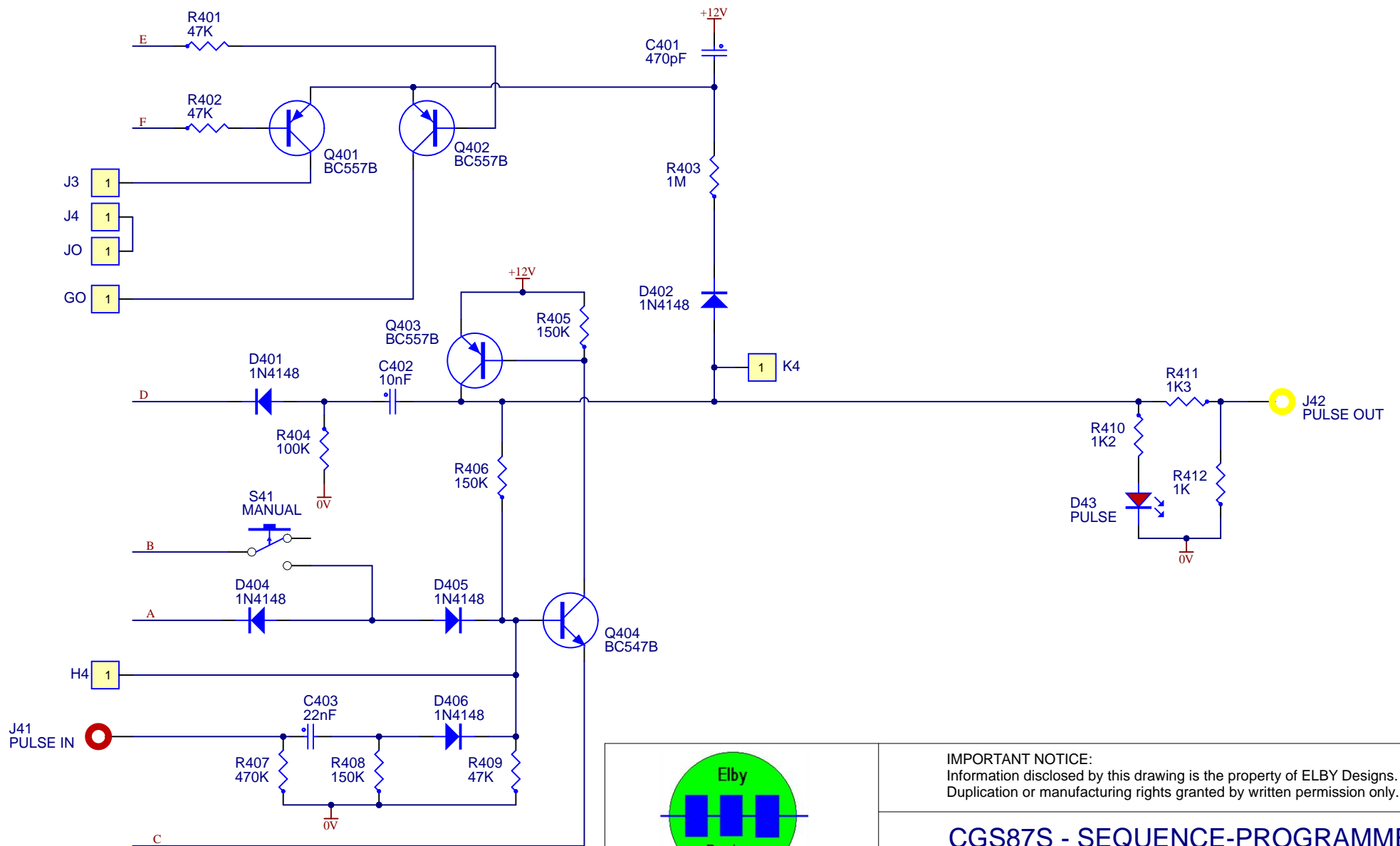


9 Follan Close
Kariong
NSW 2250
Australia

IMPORTANT NOTICE:
Information disclosed by this drawing is the property of ELBY Designs.
Duplication or manufacturing rights granted by written permission only.

CGS87S - SEQUENCE-PROGRAMMER Programmer Stage

Size A4	FCSMNo. 4/03/2022	DWG No. cgs87s-stage3.schdoc	Rev V1.0
Scale	Laurie Biddulph		Sheet 3 of 5



9 Follan Close
Kariong
NSW 2250
Australia

IMPORTANT NOTICE:
Information disclosed by this drawing is the property of ELBY Designs.
Duplication or manufacturing rights granted by written permission only.

CGS87S - SEQUENCE-PROGRAMMER Programmer Stage

Size A4	FCSM No. 4/03/2022	DWG No. cgs87s-stage4.schdoc	Rev V1.0
Scale	Laurie Biddulph		Sheet 4 of 5

1

2

3

4

A

A

B

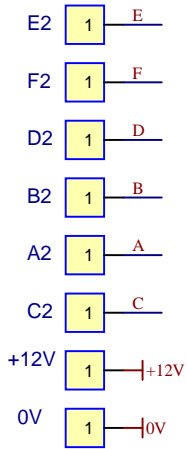
B

C

C

D

D

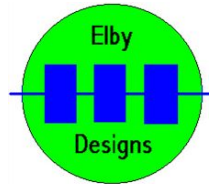


CGS LOGO

RCM

RoHS

LOGO



9 Follan Close
Kariong
NSW 2250
Australia

IMPORTANT NOTICE:
Information disclosed by this drawing is the property of ELBY Designs.
Duplication or manufacturing rights granted by written permission only.

CGS87S - SEQUENCE-PROGRAMMER Power Supply

Size A4	FCSMNo. 4/03/2022	DWG No. cgs87s-power.schdoc	Rev V1.0
Scale		Laurie Biddulph	Sheet 5 of 5

1

2

3

4