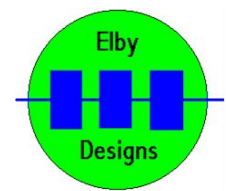


cgs87s-outputs-1-2.schdoc
 [Redacted]
 cgs87s-outputs-3-4.schdoc
 [Redacted]

cgs87s-power.schdoc
 [Redacted]

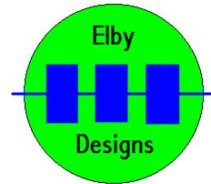
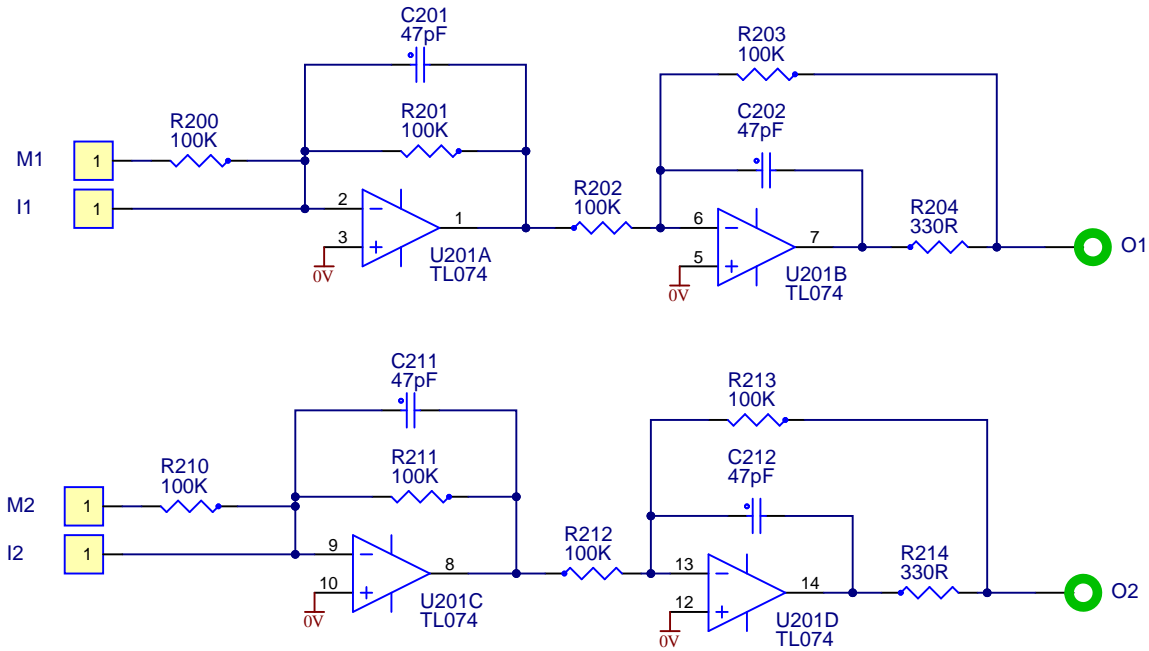


9 Follan Close
 Kariang
 NSW 2250
 Australia

IMPORTANT NOTICE:
 Information disclosed by this drawing is the property of ELBY Designs.
 Duplication or manufacturing rights granted by written permission only.

CGS87M - Sequence-Programmer Input Stages

Size A4	FCSMNo. 4/03/2022	DWG No. cgs87m-inputs.schdoc	Rev V1.0
Scale	Laurie Biddulph		Sheet 1 of 4

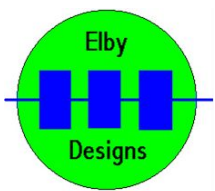
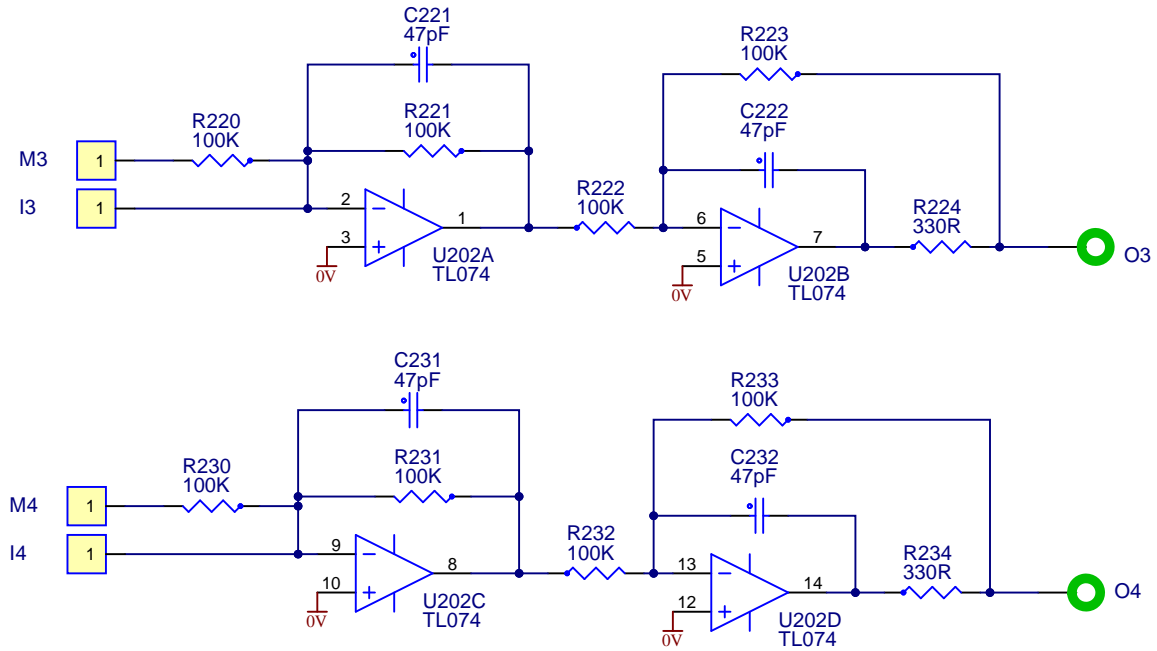


9 Follan Close
Kariong
NSW 2250
Australia

IMPORTANT NOTICE:
Information disclosed by this drawing is the property of ELBY Designs.
Duplication or manufacturing rights granted by written permission only.

CGS87M - Sequence-Programmer Output Stages

Size A4	FCSMNo. 4/03/2022	DWG No. cgs87m-outputs-1-2.schdoc	Rev V1.0
Scale		Laurie Biddulph	Sheet 2 of 4

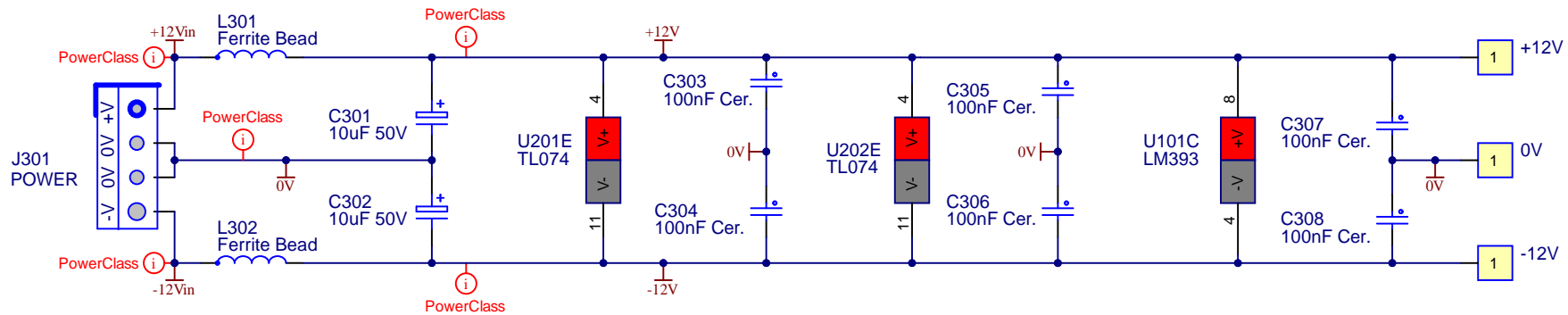


9 Follan Close
Kariong
NSW 2250
Australia

IMPORTANT NOTICE:
Information disclosed by this drawing is the property of ELBY Designs.
Duplication or manufacturing rights granted by written permission only.

CGS87M - Sequence-Programmer Output Stages

Size A4	FCSMNo. 4/03/2022	DWG No. cgs87m-outputs-3-4.schdoc	Rev V1.0
Scale	Laurie Biddulph		Sheet 3 of 4



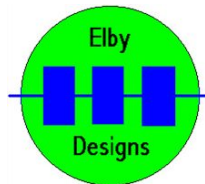
CGS LOGO



RCM

RoHS

LOGO



9 Follan Close
Kariang
NSW 2250
Australia

IMPORTANT NOTICE:
Information disclosed by this drawing is the property of ELBY Designs.
Duplication or manufacturing rights granted by written permission only.

CGS87M - Sequence-Programmer Power Supply

Size A4	FCSMNo. 4/03/2022	DWG No. cgs87m-power.schdoc	Rev V1.0
Scale	Laurie Biddulph		Sheet 4 of 4