

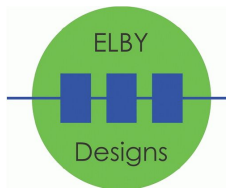
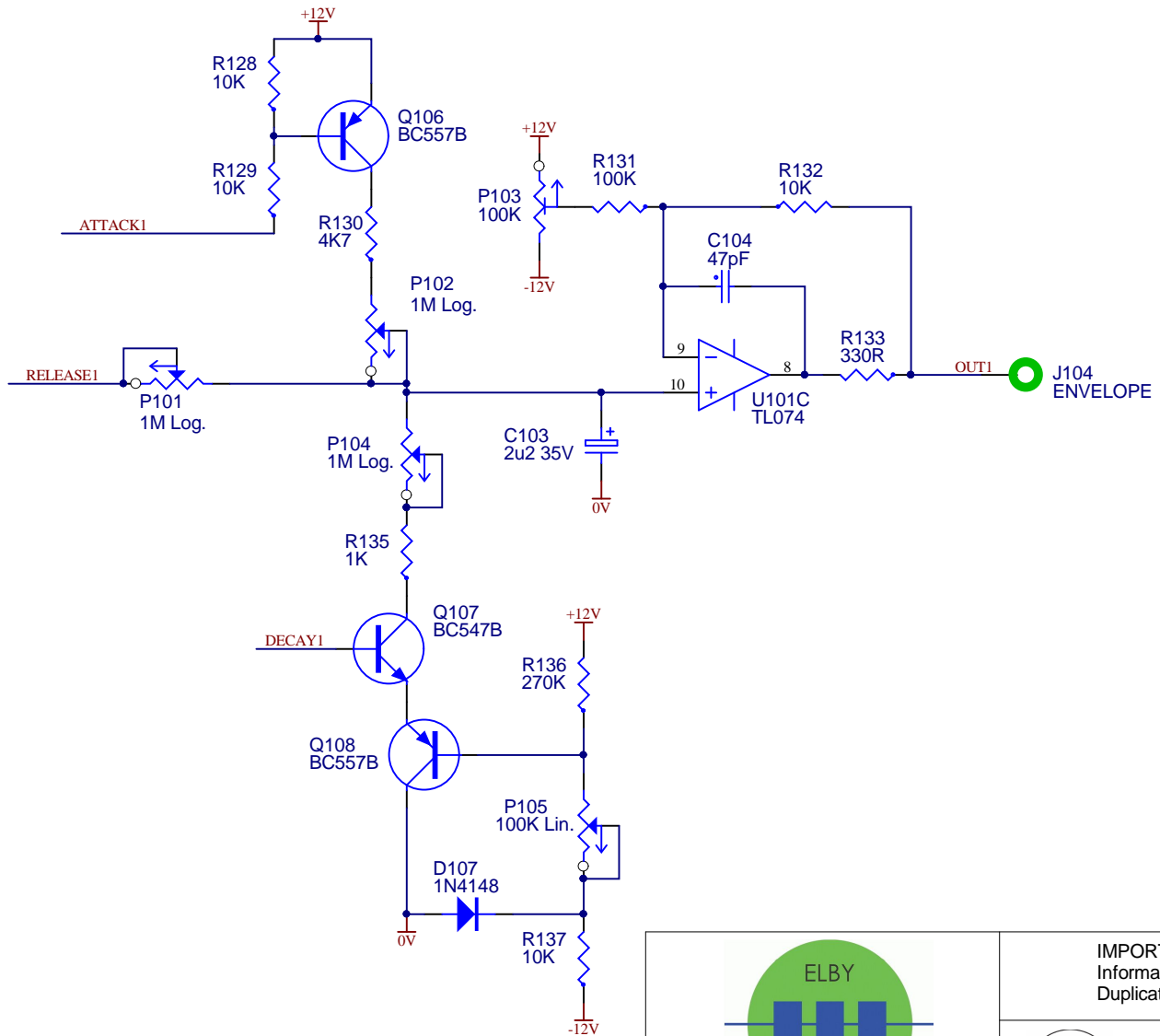
3 Therese Street
Bridport
TAS 7262
Australia

IMPORTANT NOTICE:
Information disclosed by this drawing is the property of ELBY Designs.
Duplication or manufacturing rights granted by written permission only.



CGS378 Universal EG EG1 Part 1

Size A4	FCSM No. 4/06/2022	DWG No. cgs378-ueg11.schdoc	Rev V3.0
Scale	Laurie Biddulph		Sheet 1 of 5



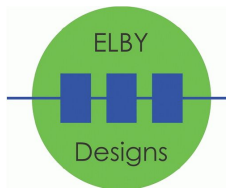
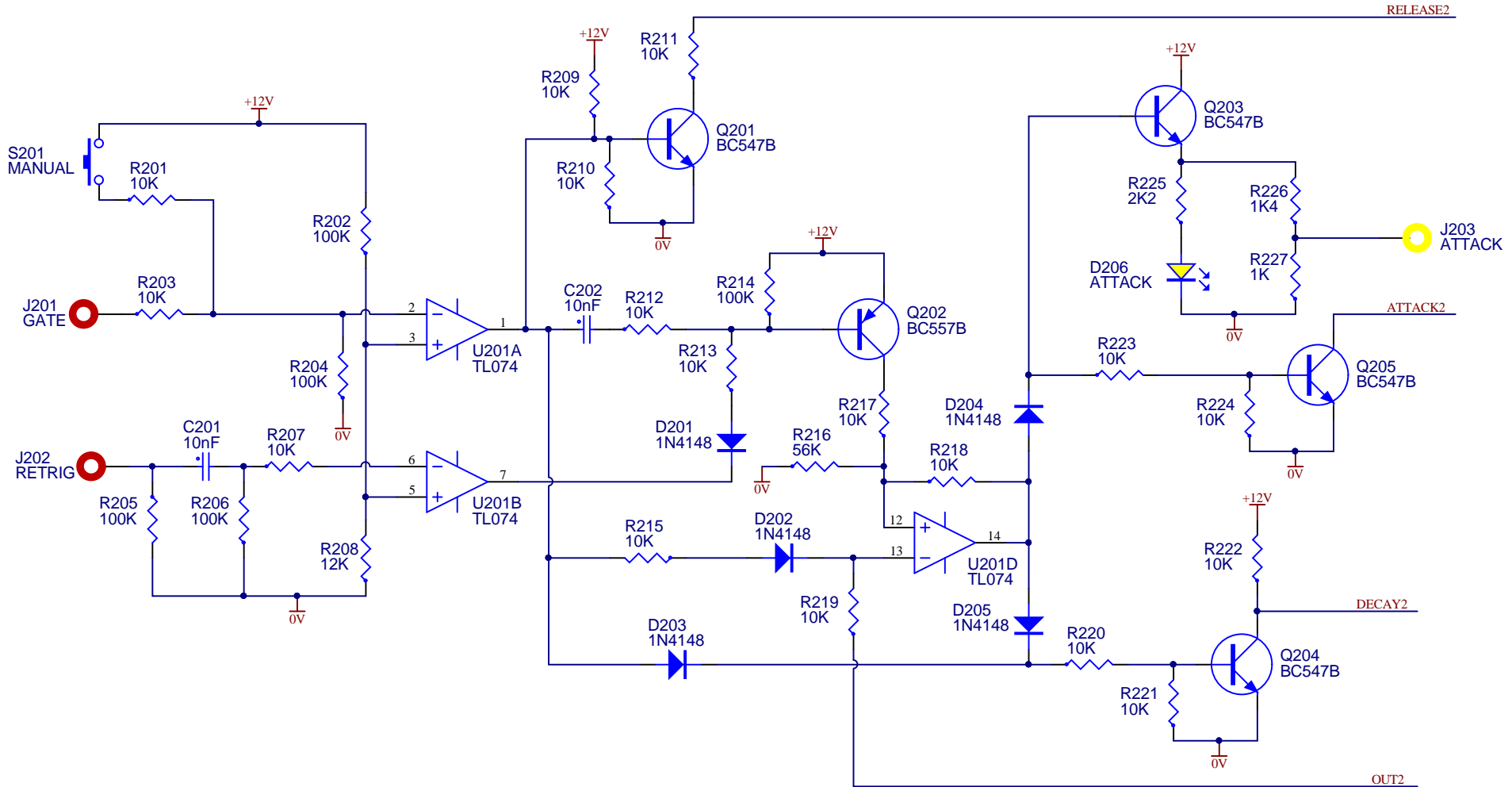
3 Therese Street
Bridport
TAS 7262
Australia

IMPORTANT NOTICE:
Information disclosed by this drawing is the property of ELBY Designs.
Duplication or manufacturing rights granted by written permission only.



CGS378 Universal EG EG1 Part 2

Size A4	FCSM No. 4/06/2022	DWG No. cgs378-ueg12.schdoc	Rev V3.0
Scale		Laurie Biddulph	Sheet 2 of 5



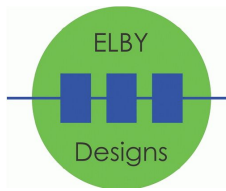
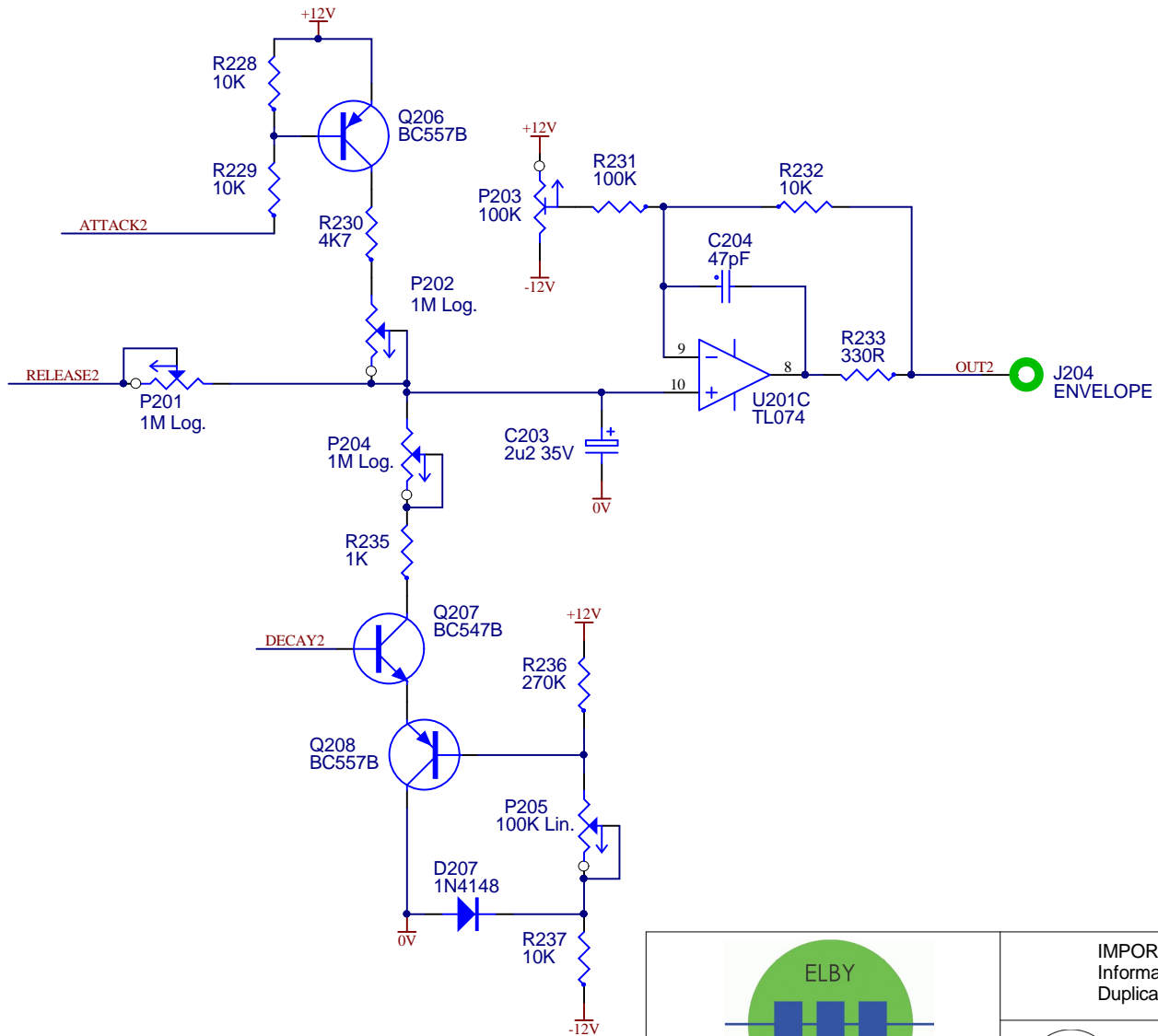
3 Therese Street
Bridport
TAS 7262
Australia

IMPORTANT NOTICE:
Information disclosed by this drawing is the property of ELBY Designs.
Duplication or manufacturing rights granted by written permission only.



CGS378 Universal EG EG2 Part 1

Size A4	FCSM No. 4/06/2022	DWG No. cgs378-ueg21.schdoc	Rev V3.0
Scale	Laurie Biddulph		Sheet 3 of 5



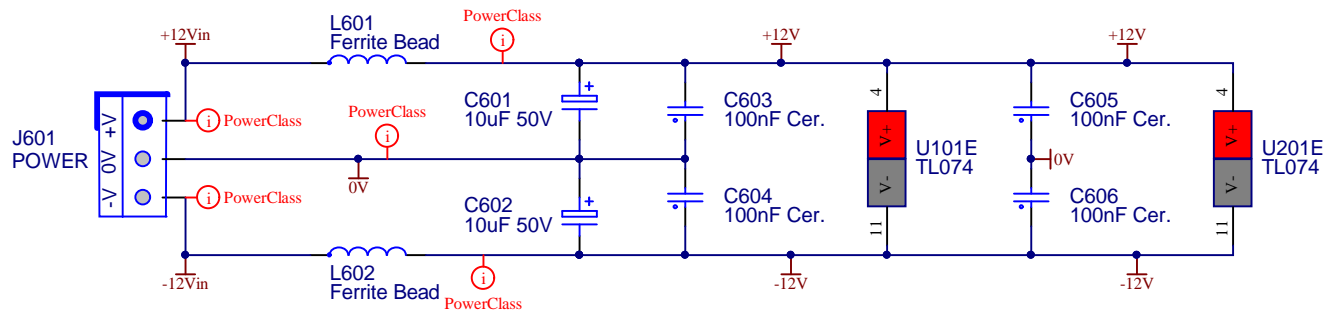
3 Therese Street
Bridport
TAS 7262
Australia

IMPORTANT NOTICE:
Information disclosed by this drawing is the property of ELBY Designs.
Duplication or manufacturing rights granted by written permission only.

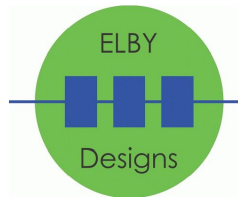


CGS378 Universal EG EG2 Part 2

Size A4	FCSM No. 4/06/2022	DWG No. cgs378-ueg22.schdoc	Rev V3.0
Scale	Laurie Biddulph		Sheet 4 of 5



RoHS
LOGO-CGS
RCM



3 Therese Street
Bridport
TAS 7262
Australia

IMPORTANT NOTICE:
Information disclosed by this drawing is the property of ELBY Designs.
Duplication or manufacturing rights granted by written permission only.



CGS378 Universal EG Power Supply

Size A4	FCSM No. 4/06/2022	DWG No. cgs378-power.schdoc	Rev V3.0
Scale		Laurie Biddulph	Sheet 5 of 5