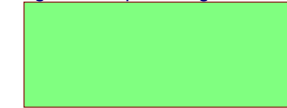


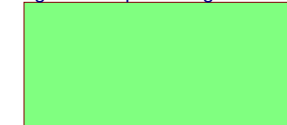
cgs362-output-rising.schdoc



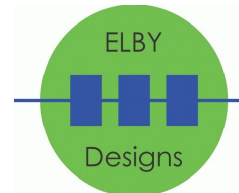
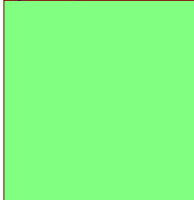
cgs362-output-steady.schdoc



cgs362-output-falling.schdoc



cgs362-power.schdoc



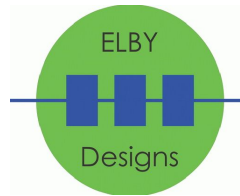
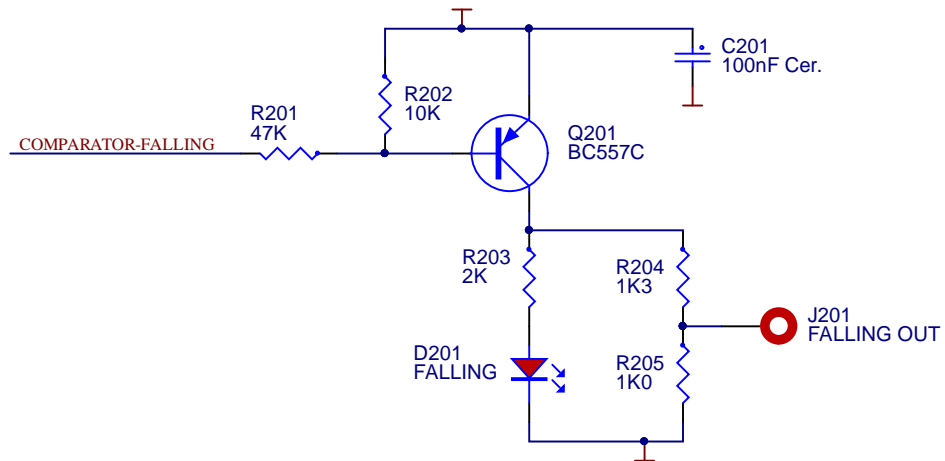
3 Therese Street
Bridport
TAS 7262
Australia

IMPORTANT NOTICE:

Information disclosed by this drawing is the property of ELBY Designs.
Duplication or manufacturing rights granted by written permission only.

**CGS362 - Slope Detector
INPUT DETECTOR Stage**
Reproduced in collaboration with Ken Stone

Size A4	FCSM No. 6/03/2022	DWG No. cgs362.schdoc	Rev V2.0
Scale	Laurie Biddulph	Sheet 1 of 5	



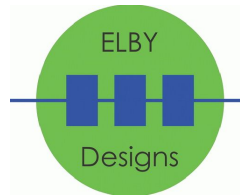
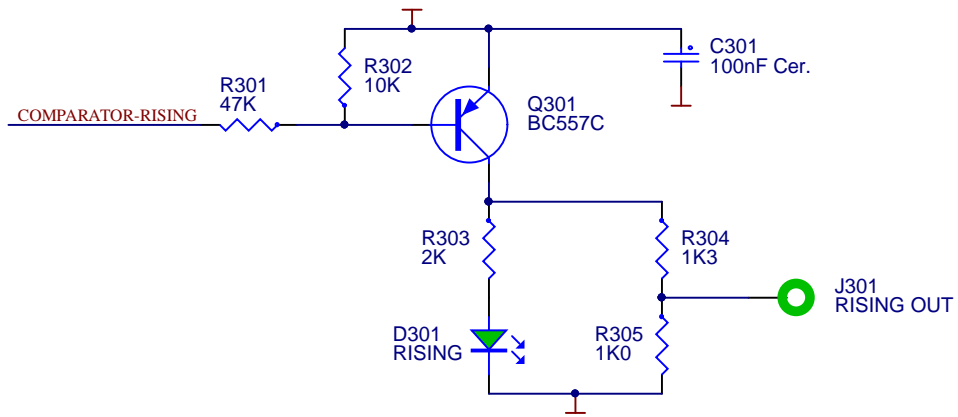
3 Therese Street
Bridport
TAS 7262
Australia

IMPORTANT NOTICE:
Information disclosed by this drawing is the property of ELBY Designs.
Duplication or manufacturing rights granted by written permission only.

CGS362 - Slope Detector FALLING Out Stage

Reproduced in collaboration with Ken Stone

Size A4	FCSM No. 6/03/2022	DWG No. cgs362-output-falling.schdoc	Rev V2.0
Scale	Laurie Biddulph		Sheet 2 of 5



3 Therese Street
Bridport
TAS 7262
Australia

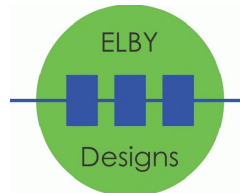
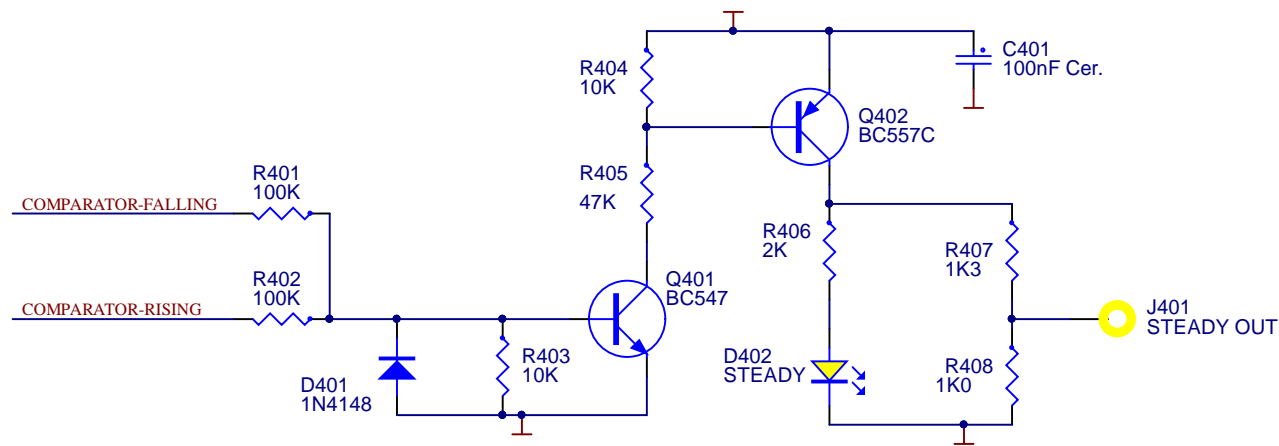
IMPORTANT NOTICE:

Information disclosed by this drawing is the property of ELBY Designs.
Duplication or manufacturing rights granted by written permission only.

**CGS362 - Slope Detector
RISING Out Stage**

Reproduced in collaboration with Ken Stone

Size A4	FCSM No. 6/03/2022	DWG No. cgs362-output-rising.schdoc	Rev V2.0
Scale	Laurie Biddulph		Sheet 3 of 5



3 Therese Street
Bridport
TAS 7262
Australia

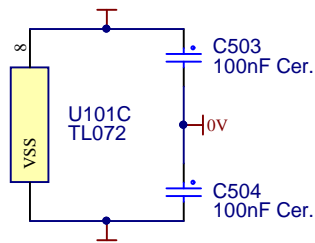
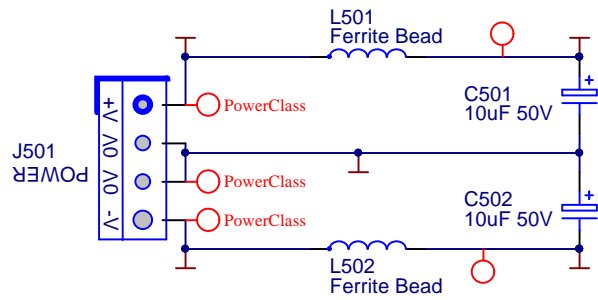
IMPORTANT NOTICE:

Information disclosed by this drawing is the property of ELBY Designs.
Duplication or manufacturing rights granted by written permission only.

**CGS362 - Slope Detector
STEADY Out Stage**

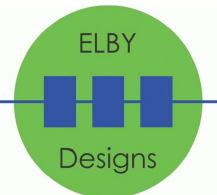
Reproduced in collaboration with Ken Stone

Size A4	FCSM No. 6/03/2022	DWG No. cgs362-output-steady.schdoc	Rev V2.0
Scale	Laurie Biddulph		Sheet 4 of 5



LOGO RoHS

LOGO-CGS RCM



3 Therese Street
Bridport
TAS 7262
Australia

IMPORTANT NOTICE:
Information disclosed by this drawing is the property of ELBY Designs.
Duplication or manufacturing rights granted by written permission only.



CGS362 - Slope Detector Power Supply

Size A4	FCSM No. 6/03/2022	DWG No. cgs362-power.schdoc	Rev V2.0
Scale		Laurie Biddulph	Sheet 6 of 6