

9 Follan Close  
Kariang  
NSW 2250  
Australia

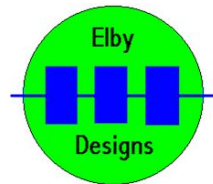
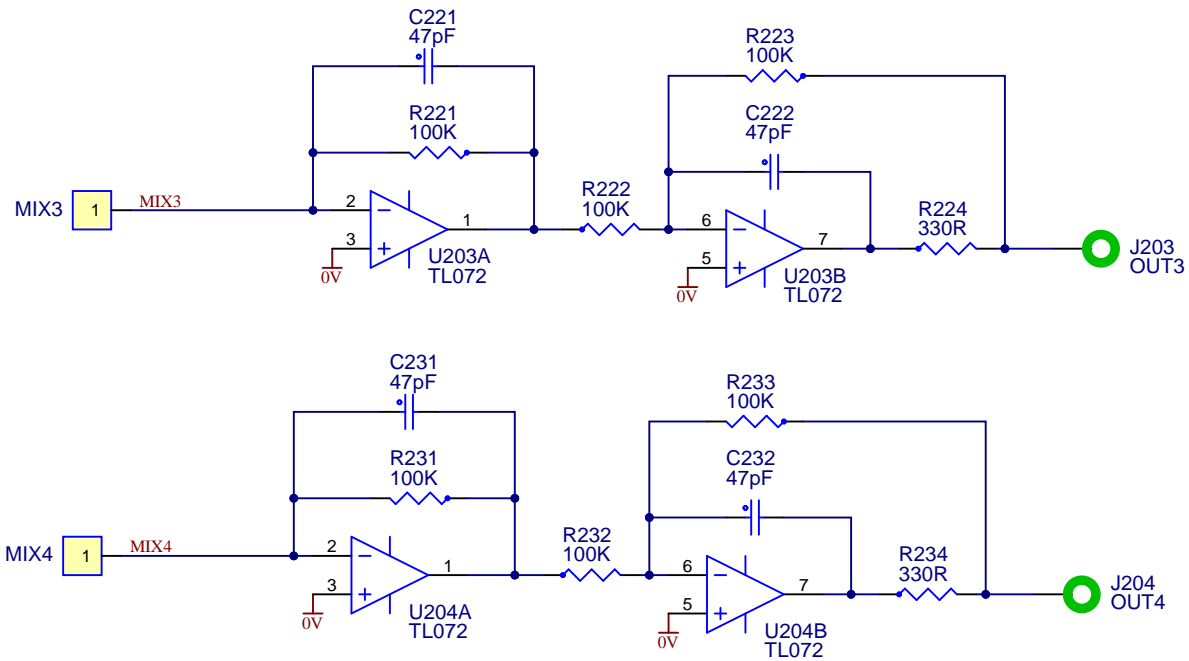
**IMPORTANT NOTICE:**  
Information disclosed by this drawing is the property of ELBY Designs.  
Duplication or manufacturing rights granted by written permission only.



## CGS59 - Sequencing Programmer Input Stages

Produced under license from Serge Tcherepnin

Size A4	FCSMNo. 29/12/2023	DWG No. cgs59-sequencer-inputs.schdoc	Rev V0.3
Scale	Laurie Biddulph		Sheet 1 of 4



9 Follan Close  
Kariang  
NSW 2250  
Australia

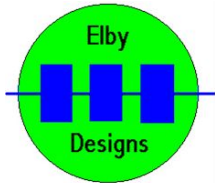
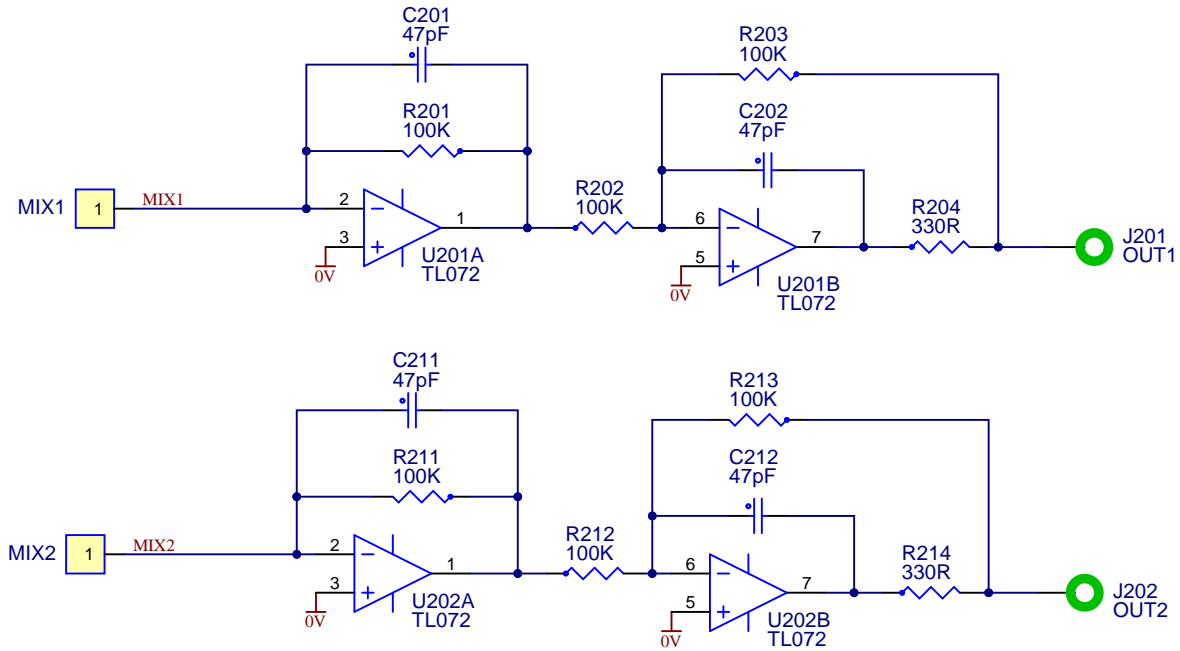
**IMPORTANT NOTICE:**  
Information disclosed by this drawing is the property of ELBY Designs.  
Duplication or manufacturing rights granted by written permission only.



## ES23 - Sequence Programmer Output Stages

Produced under license from Serge Tcherepnin

Size A4	FCSMNo. 29/12/2023	DWG No. cgs59-sequencer-outputs34.schdoc	Rev V0.3
Scale	Laurie Biddulph	Sheet 2 of 4	



9 Follan Close  
Kariang  
NSW 2250  
Australia

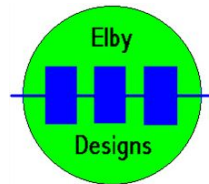
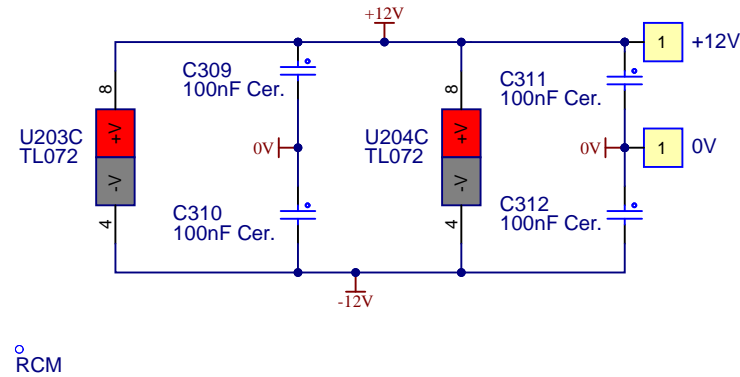
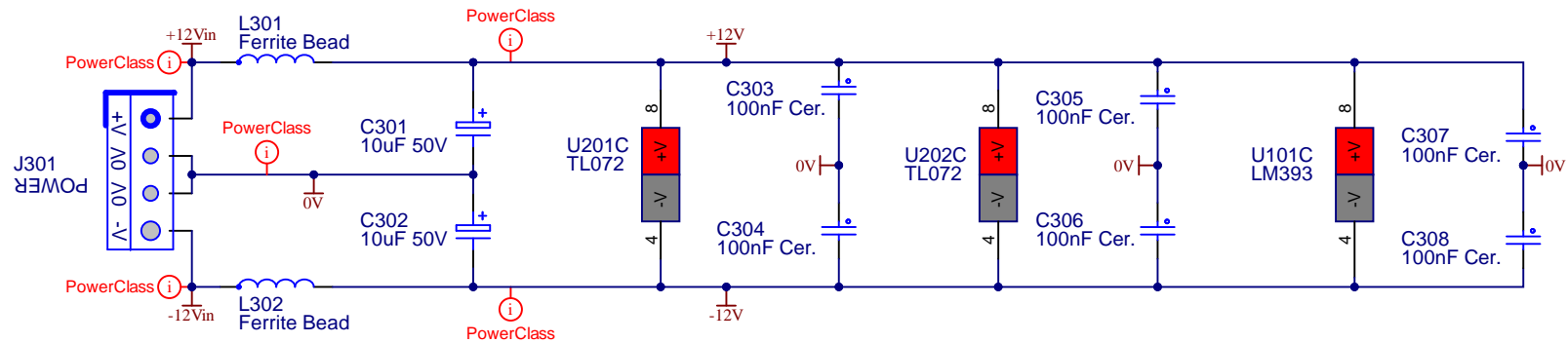
**IMPORTANT NOTICE:**  
Information disclosed by this drawing is the property of ELBY Designs.  
Duplication or manufacturing rights granted by written permission only.



## ES23 - Sequence Programmer Output Stages

Produced under license from Serge Tcherepnin

Size A4	FCSMNo. 29/12/2023	DWG No. cgs59-sequencer-outputs12.schdoc	Rev V0.3
Scale	Laurie Biddulph	Sheet 2 of 4	



9 Follan Close  
Karingong  
NSW 2250  
Australia

**IMPORTANT NOTICE:**  
Information disclosed by this drawing is the property of ELBY Designs.  
Duplication or manufacturing rights granted by written permission only.



## ES23 - Sequence Programmer Power Supply

Produced under license from Serge Tcherepnin

Size A4	FCSMNo. 29/12/2023	DWG No. cgs59-sequencer-power.schdoc	Rev V0.3
Scale	Laurie Biddulph		Sheet 3 of 4