

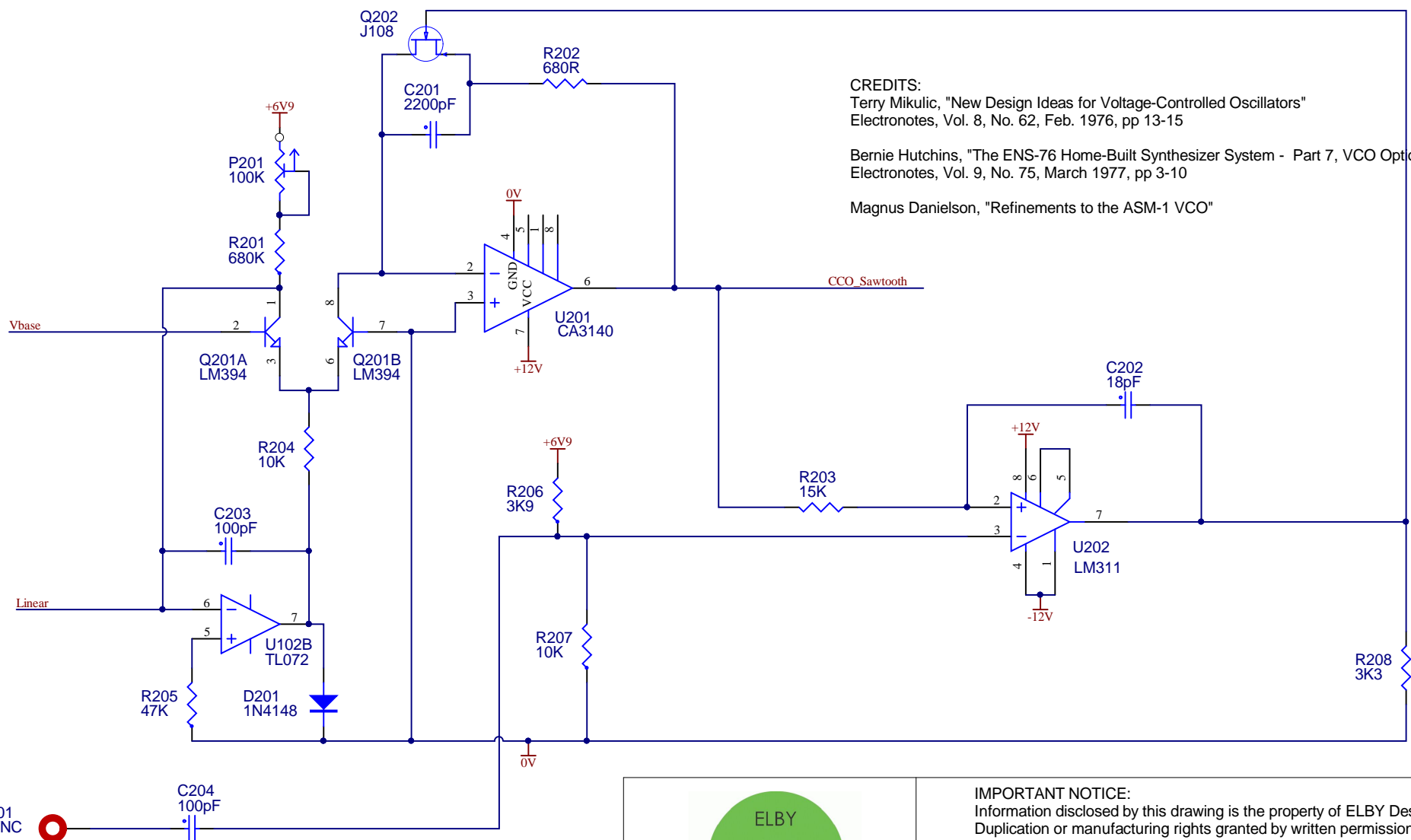
3 Therese Street
Bridport
TAS 7262
Australia

IMPORTANT NOTICE:
Information disclosed by this drawing is the property of ELBY Designs.
Duplication or manufacturing rights granted by written permission only.



CGS348 - VCO Input Summer

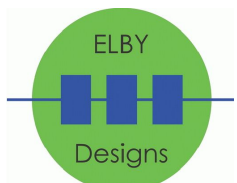
Size A4	FCSM No. 15/08/2022	DWG No. cgs348-summer.schdoc	Rev V3.0
Scale	Laurie Biddulph		Sheet 1 of 6



CREDITS:
 Terry Mikulic, "New Design Ideas for Voltage-Controlled Oscillators"
 Electronotes, Vol. 8, No. 62, Feb. 1976, pp 13-15

Bernie Hutchins, "The ENS-76 Home-Built Synthesizer System - Part 7, VCO Options"
 Electronotes, Vol. 9, No. 75, March 1977, pp 3-10

Magnus Danielson, "Refinements to the ASM-1 VCO"



3 Therese Street
 Bridport
 TAS 7262
 Australia

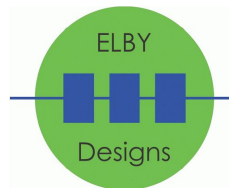
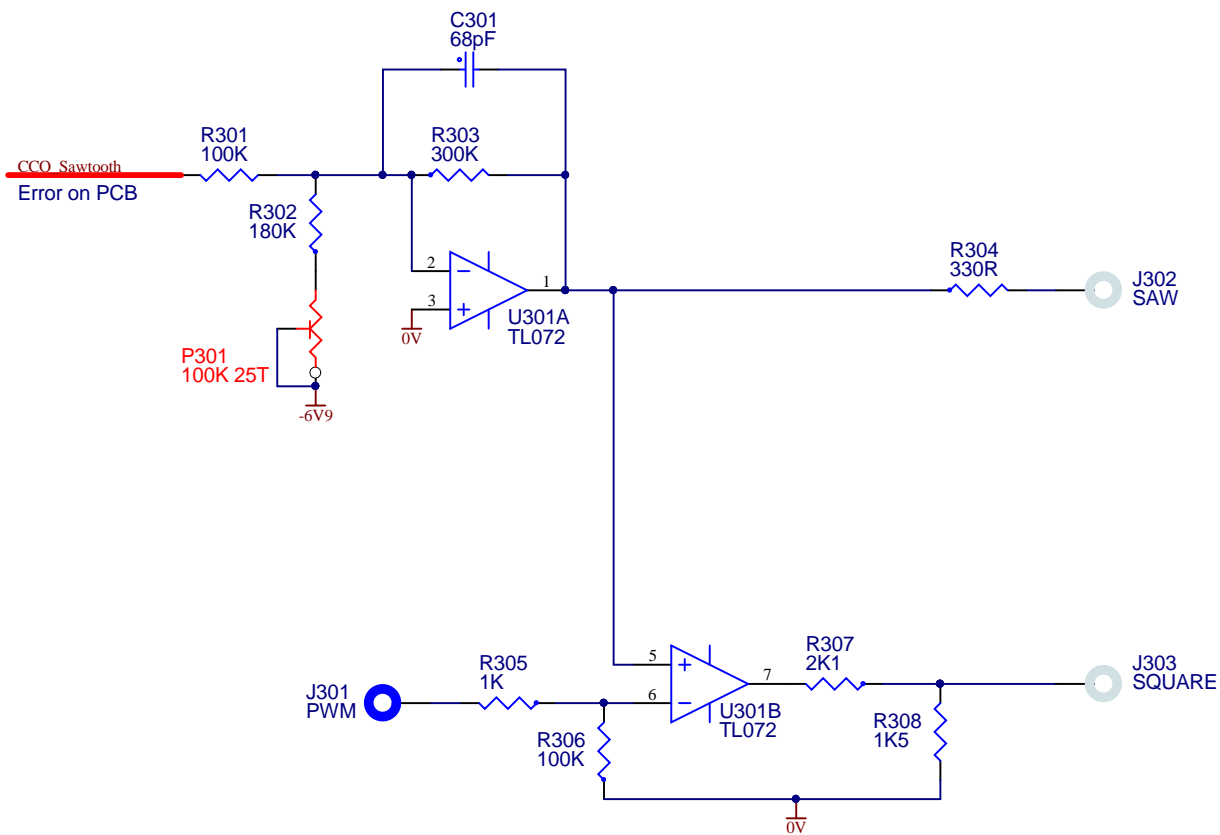
IMPORTANT NOTICE:
 Information disclosed by this drawing is the property of ELBY Designs.
 Duplication or manufacturing rights granted by written permission only.



CGS348 - VCO

Current-controlled Oscillator

Size A4	FCSM No. 15/08/2022	DWG No. cgs348-cco.schdoc	Rev V3.0
Scale	Laurie Biddulph		Sheet 2 of 6



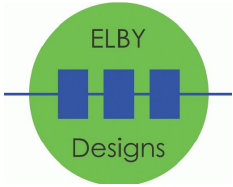
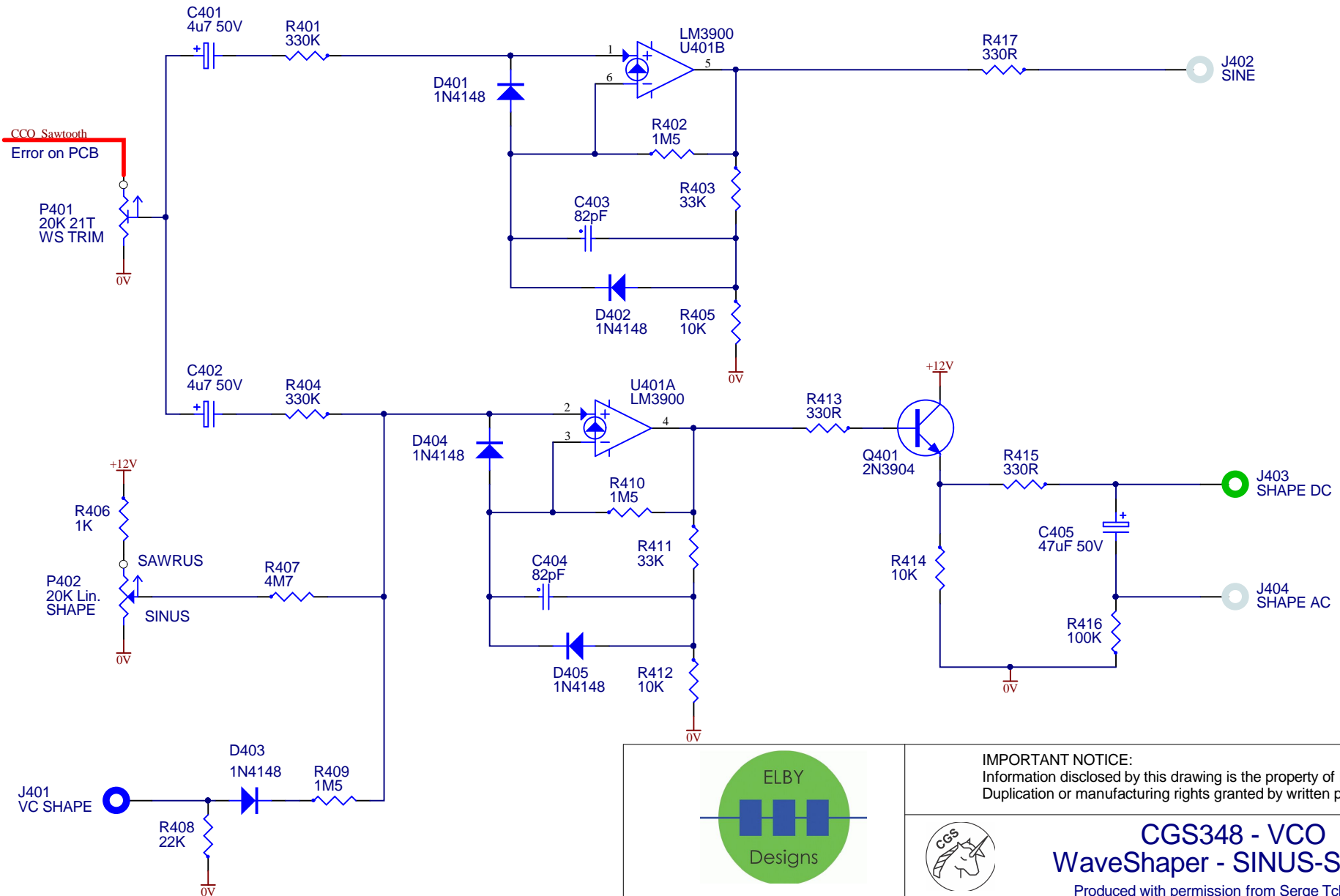
3 Therese Street
Bridport
TAS 7262
Australia

IMPORTANT NOTICE:
Information disclosed by this drawing is the property of ELBY Designs.
Duplication or manufacturing rights granted by written permission only.



CGS348 - VCO WaveShaper - SAW-SQR

Size A4	FCSM No. 15/08/2022	DWG No. cgs348-shape-saw-sqr.schdoc	Rev V3.0
Scale	Laurie Biddulph		Sheet 3 of 6



3 Therese Street
Bridport
TAS 7262
Australia

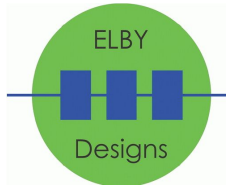
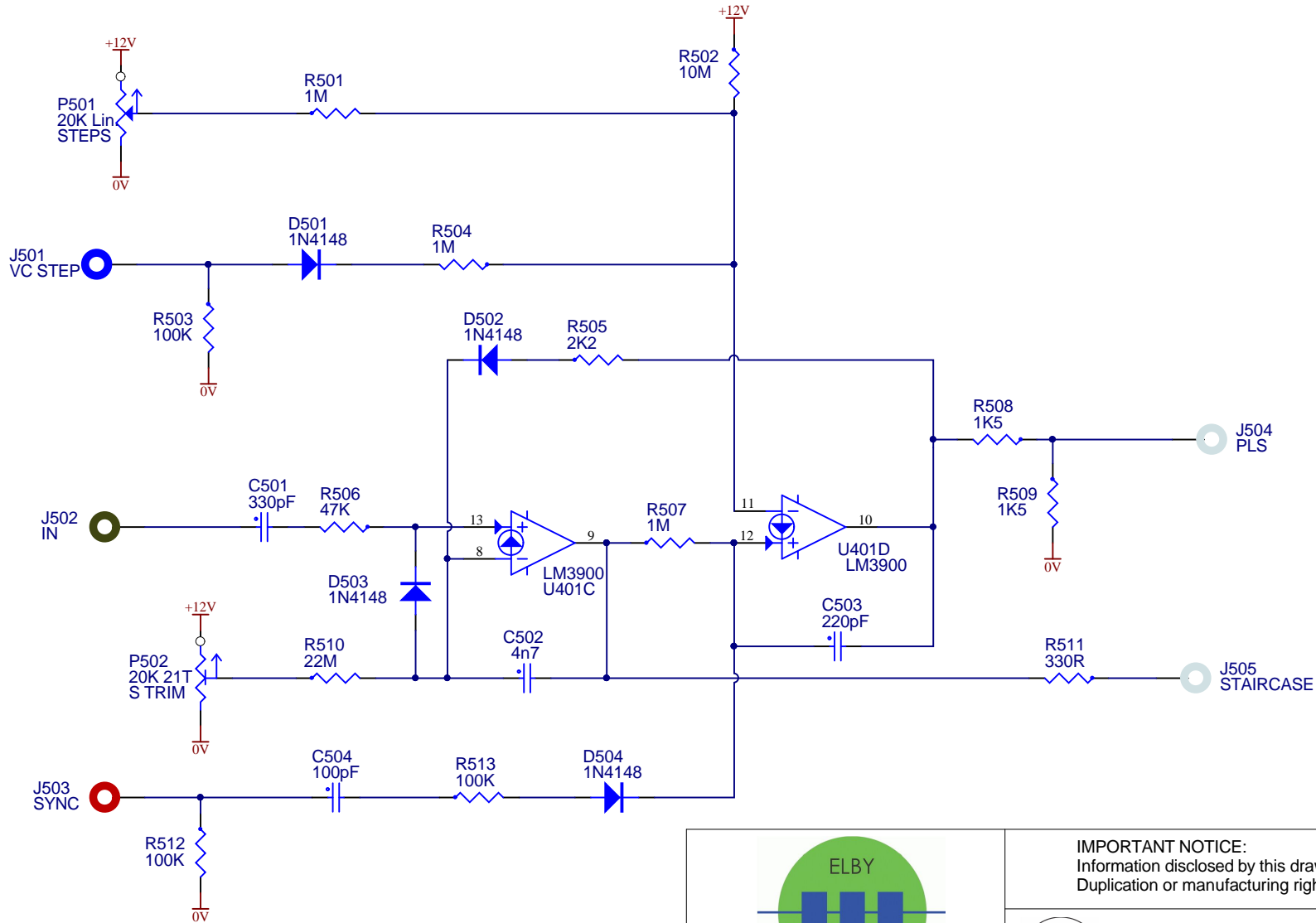
IMPORTANT NOTICE:
Information disclosed by this drawing is the property of ELBY Designs.
Duplication or manufacturing rights granted by written permission only.



CGS348 - VCO WaveShaper - SINUS-SAWRUS

Produced with permission from Serge Tcherepnin

Size A4	FCSM No. 15/08/2022	DWG No. cgs348-shaper.schdoc	Rev V3.0
Scale		Laurie Biddulph	Sheet 4 of 6



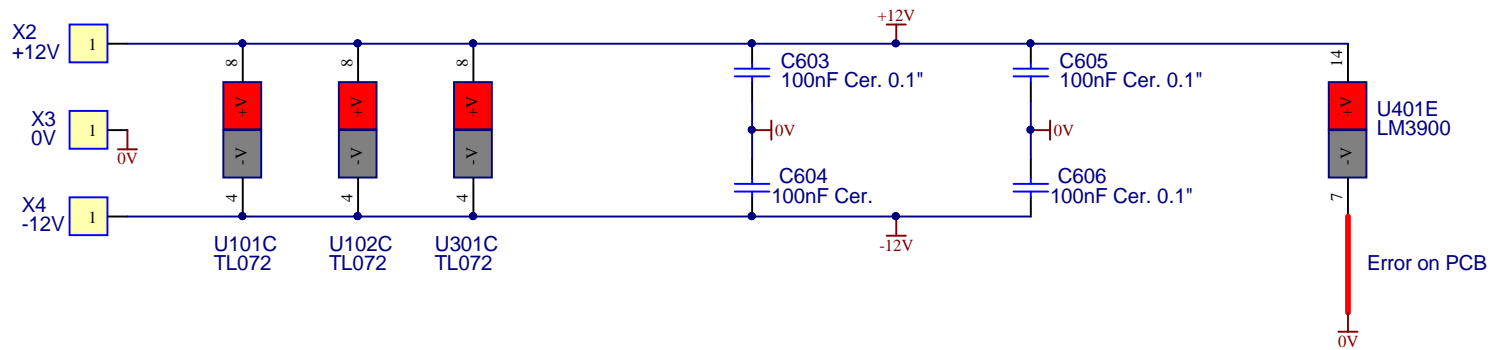
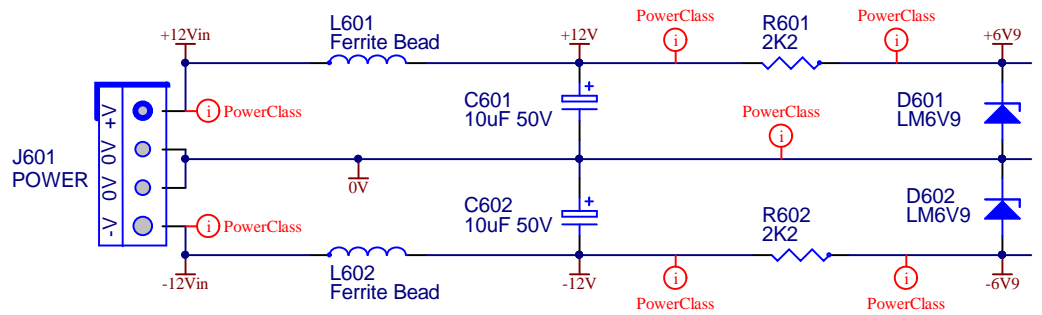
3 Therese Street
Bridport
TAS 7262
Australia

IMPORTANT NOTICE:
Information disclosed by this drawing is the property of ELBY Designs.
Duplication or manufacturing rights granted by written permission only.

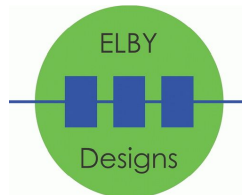


CGS348 - VCO WaveShaper - PULSE-STAIRCASE

Size A4	FCSM No. 15/08/2022	DWG No. cgs348-shape-stair-pulse.schdoc	Rev V3.0
Scale	Laurie Biddulph		Sheet 5 of 6



LOGO-CGS
RCM



3 Therese Street
Bridport
TAS 7262
Australia

IMPORTANT NOTICE:
Information disclosed by this drawing is the property of ELBY Designs.
Duplication or manufacturing rights granted by written permission only.



CGS348 - VCO Power Supply

Size A4	FCSM No. 15/08/2022	DWG No. cgs348-power.schdoc	Rev V3.0
Scale		Laurie Biddulph	Sheet 6 of 6