

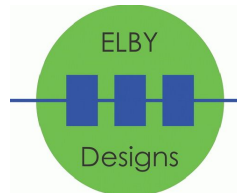
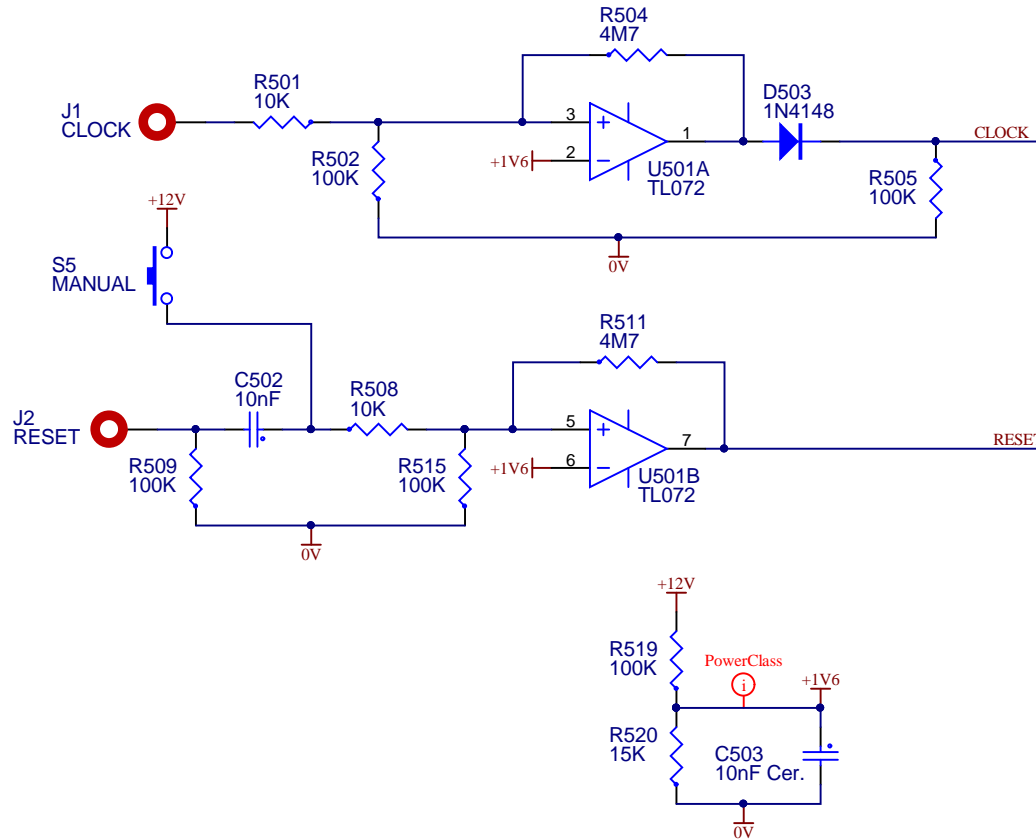
9 Follan Close
Kariang
NSW 2250
Australia

IMPORTANT NOTICE:
Information disclosed by this drawing is the property of ELBY Designs.
Duplication or manufacturing rights granted by written permission only.



CGS36 - Pulse Divider Circuit Title

Size A4	FCSM No. 5/02/2021	DWG No. cgs336-main.schdoc	Rev 2.0
Scale		Laurie Biddulph	Sheet 1 of 4



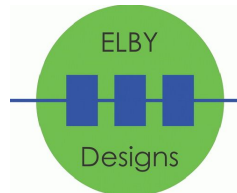
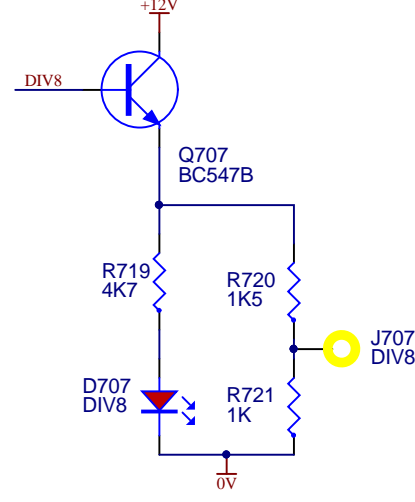
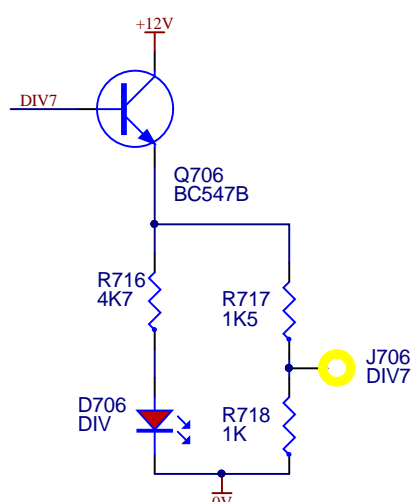
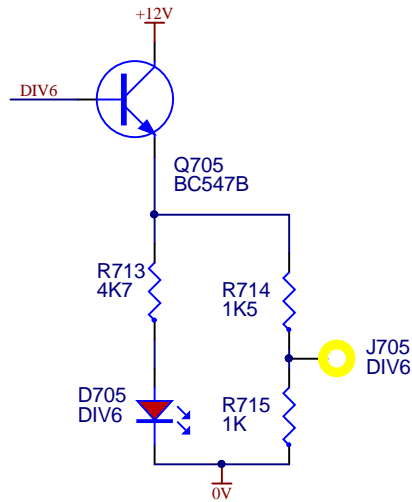
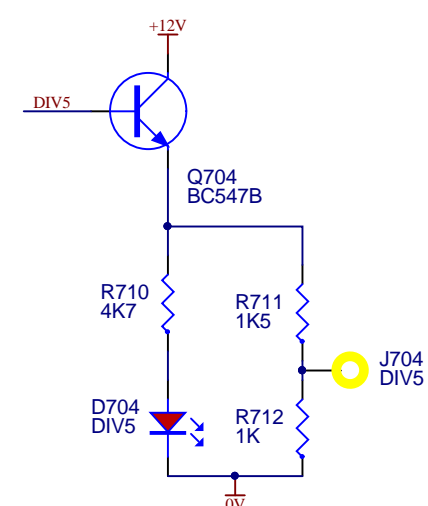
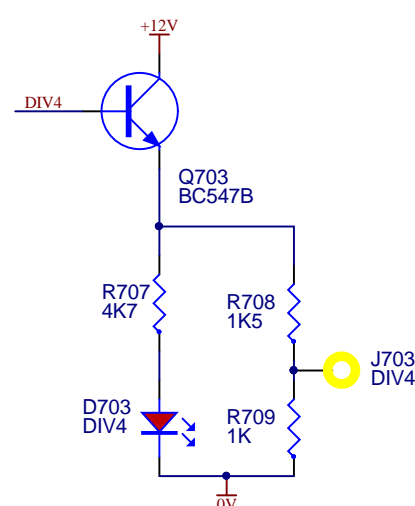
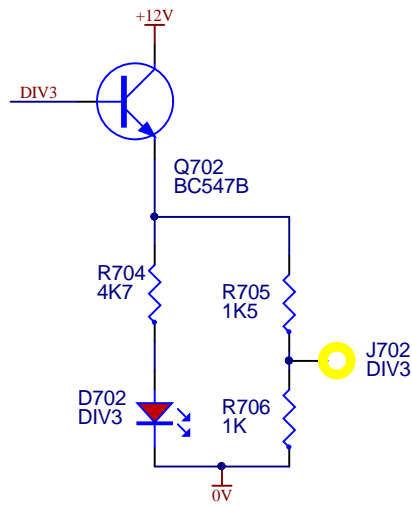
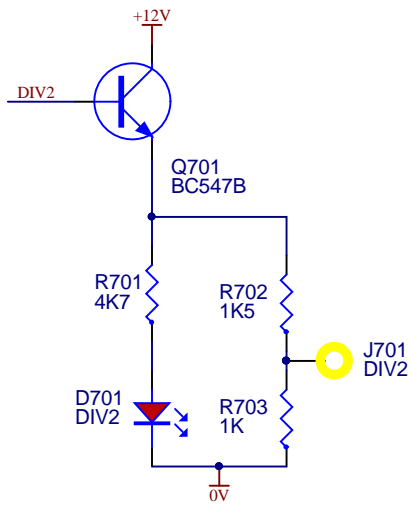
9 Follan Close
Karingong
NSW 2250
Australia

IMPORTANT NOTICE:
Information disclosed by this drawing is the property of ELBY Designs.
Duplication or manufacturing rights granted by written permission only.



CGS36 - Pulse Divider Front-end

Size A4	FCSM No. 5/02/2021	DWG No. cgs336-input.schdoc	Rev 2.0
Scale		Laurie Biddulph	Sheet 2 of 4



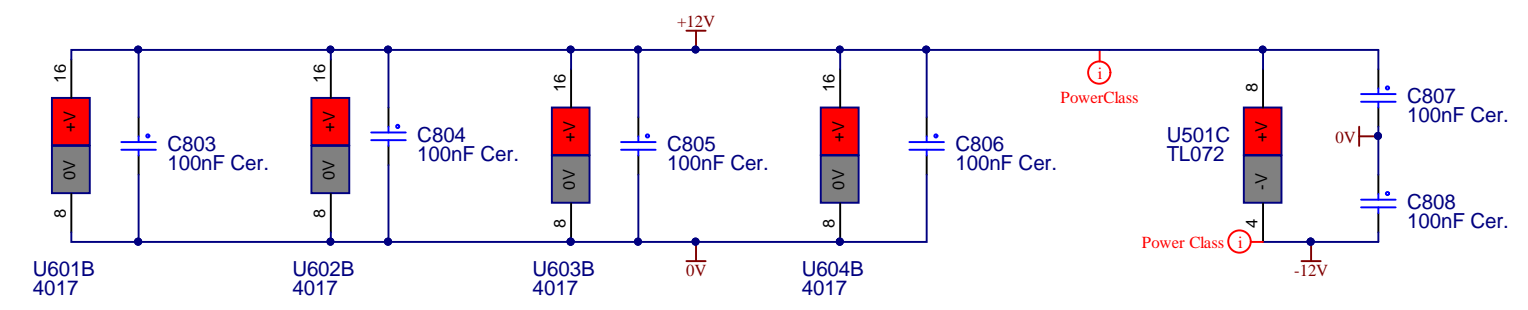
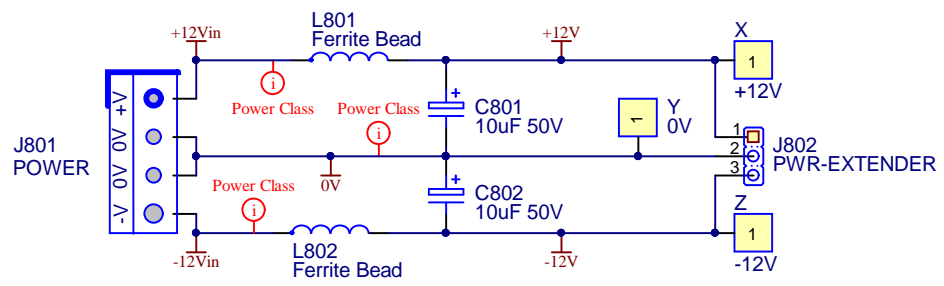
9 Follan Close
Karingong
NSW 2250
Australia

IMPORTANT NOTICE:
Information disclosed by this drawing is the property of ELBY Designs.
Duplication or manufacturing rights granted by written permission only.

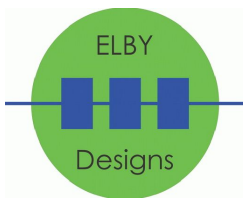


CGS36 - Pulse Divider Output Drivers

Size A4	FCSM No. 5/02/2021	DWG No. cgs336-outputs.schdoc	Rev 2.0
Scale	Laurie Biddulph	Sheet 3 of 4	



LOGO-CGS
LOGO RCM RoHS



9 Follan Close
Karing
NSW 2250
Australia

IMPORTANT NOTICE:
Information disclosed by this drawing is the property of ELBY Designs.
Duplication or manufacturing rights granted by written permission only.



CGS36 - Pulse Divider Power Supply

Size A4	FCSM No. 5/02/2021	DWG No. cgs336-power.schdoc	Rev 2.0
Scale	Laurie Biddulph	Sheet 4 of 4	