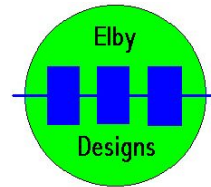


asr-power.schdoc



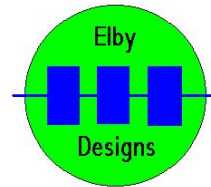
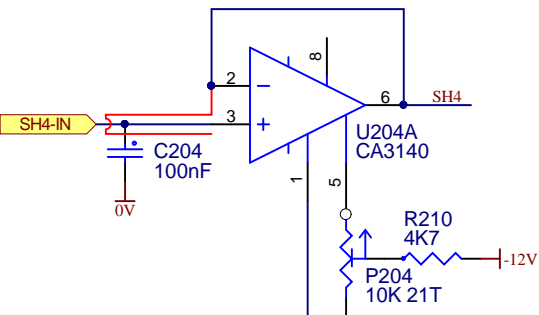
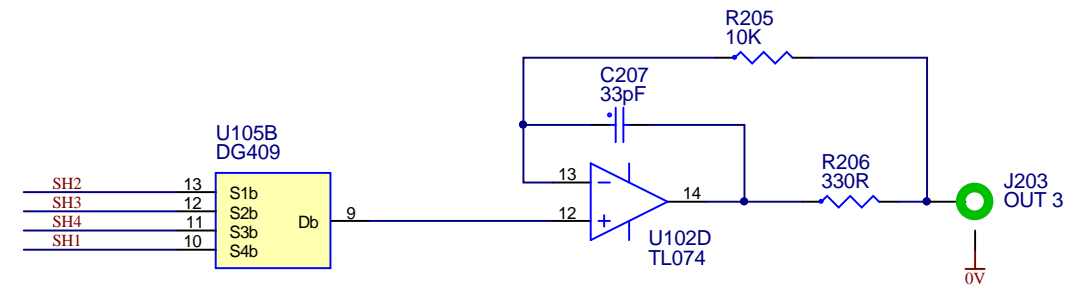
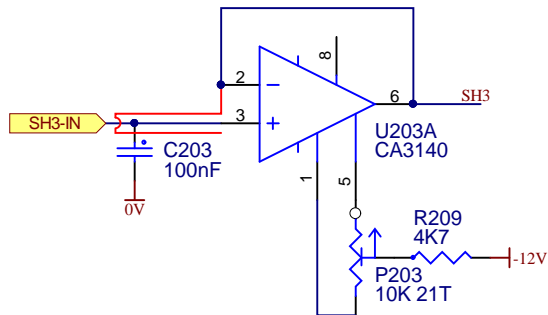
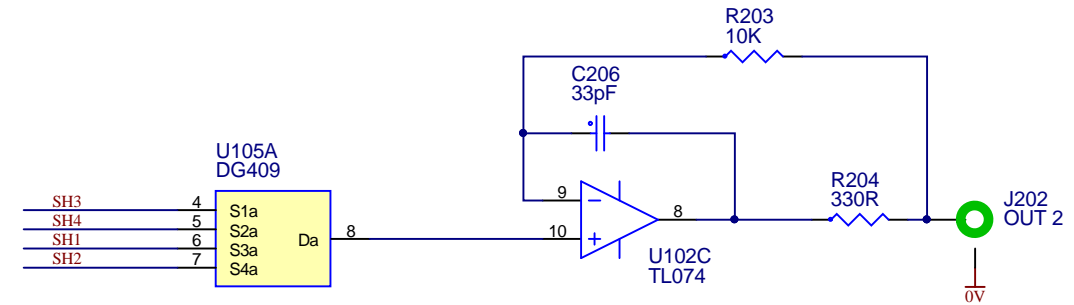
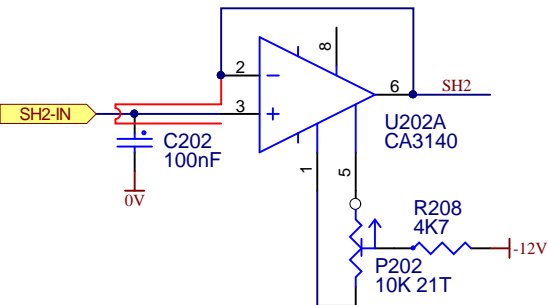
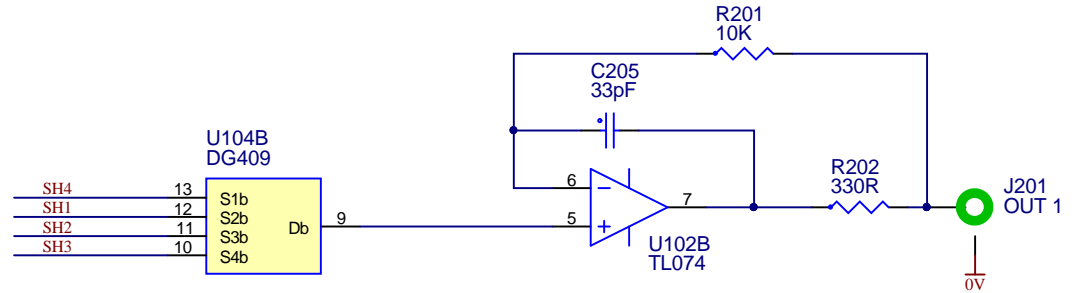
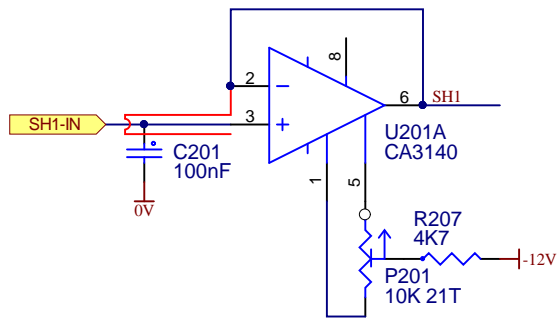
9 Follan Close
Karingong
NSW 2250
Australia

IMPORTANT NOTICE:
Information disclosed by this drawing is the property of ELBY Designs.
Duplication or manufacturing rights granted by written permission only.



CGS34 - Analog Shift Register Clock and CV Input Buffers

Size A4	FCSM No. 28/04/2020	DWG No. asr-input.schdoc	Rev 2.0
Scale	Laurie Biddulph		Sheet 1 of 3



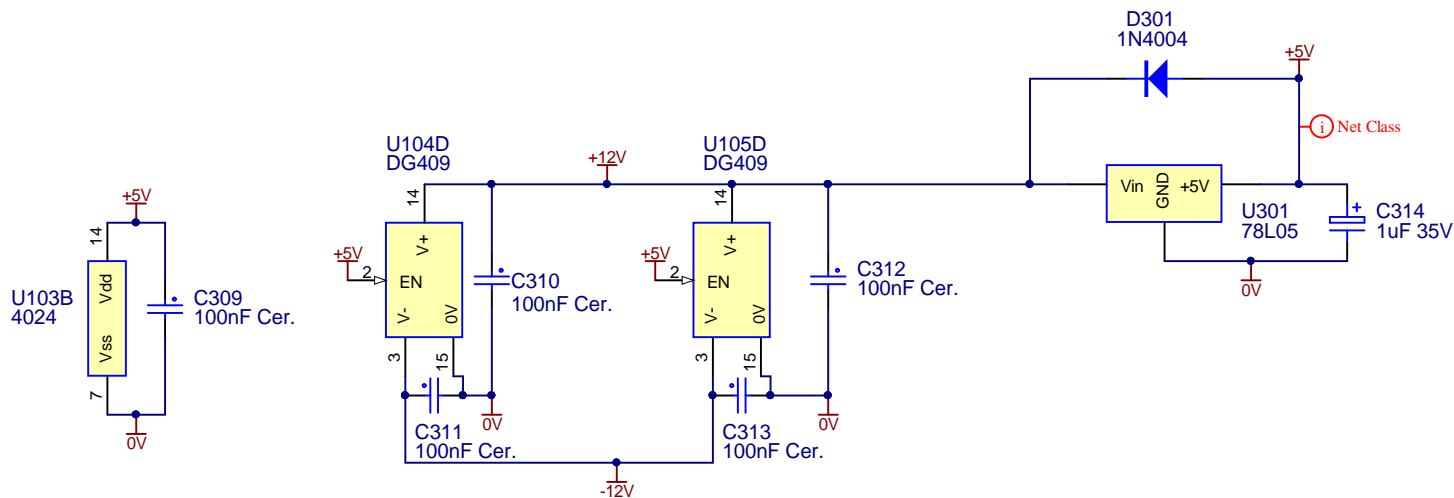
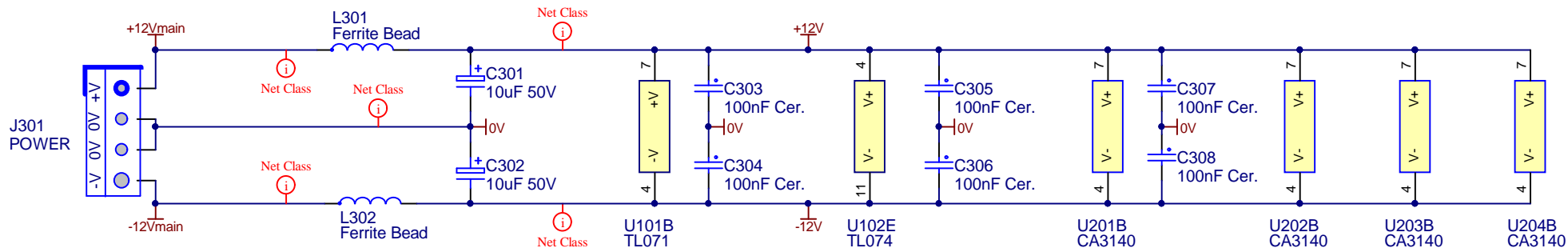
9 Follan Close
Karingong
NSW 2250
Australia

IMPORTANT NOTICE:
Information disclosed by this drawing is the property of ELBY Designs.
Duplication or manufacturing rights granted by written permission only.

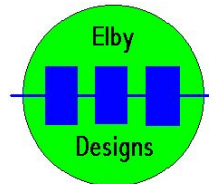


CGS34 - Analog Shift Register Sample & Hold

Size A4	FCSM No. 28/04/2020	DWG No. asr-sh.schdoc	Rev 2.0
Scale	Laurie Biddulph		Sheet 2 of 3



LOGO-ELBY
LOGO-CGS



9 Follan Close
Karingong
NSW 2250
Australia

IMPORTANT NOTICE:
Information disclosed by this drawing is the property of ELBY Designs.
Duplication or manufacturing rights granted by written permission only.



CGS34 - Analog Shift Register Power Supply

Size A4	FCSM No. 28/04/2020	DWG No. asr-power.schdoc	Rev 2.0
Scale	Laurie Biddulph		Sheet 3 of 3