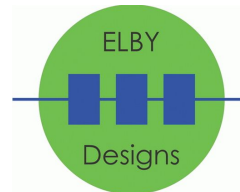
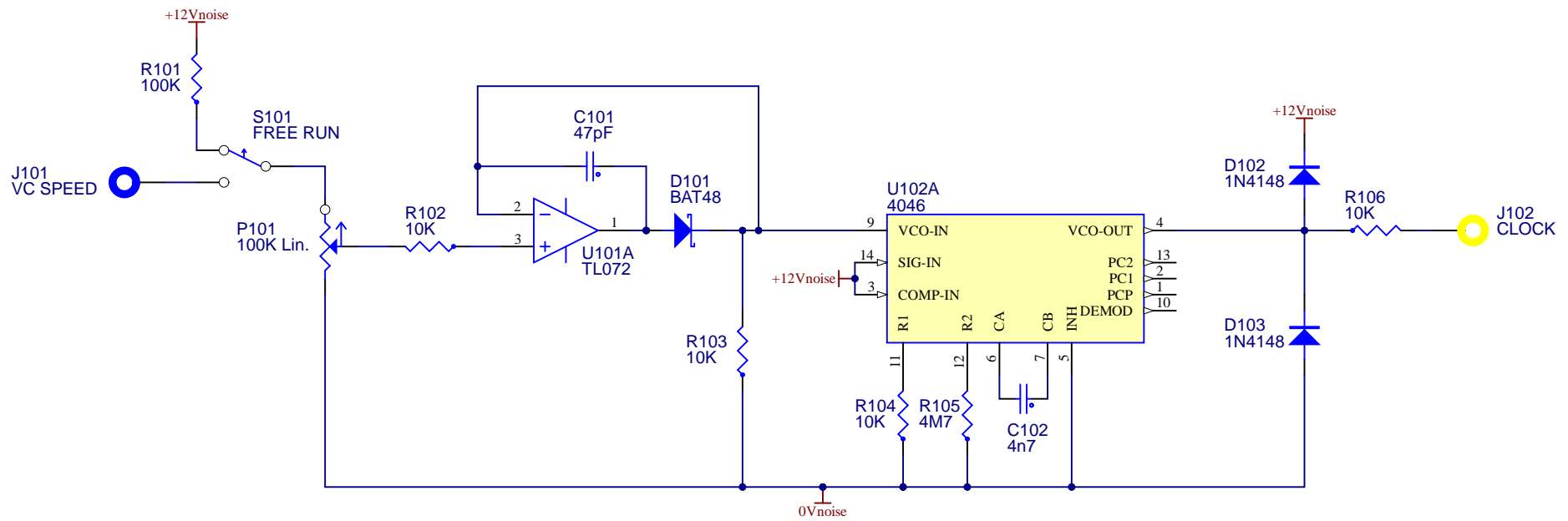


5 Dunning Avenue  
George Town  
TAS 7253  
Australia

**IMPORTANT NOTICE:**  
Information disclosed by this drawing is the property of ELBY Designs.  
Duplication or manufacturing rights granted by written permission only.

## CGS331 Digital Noise 24-bit Noise Module

Size A4	FCSM No. 4/02/2025	DWG No. cgs331-digital-noise.schdoc	Rev P2.0
Scale	Laurie Biddulph		Sheet 1 of 4

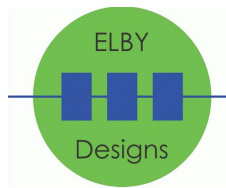
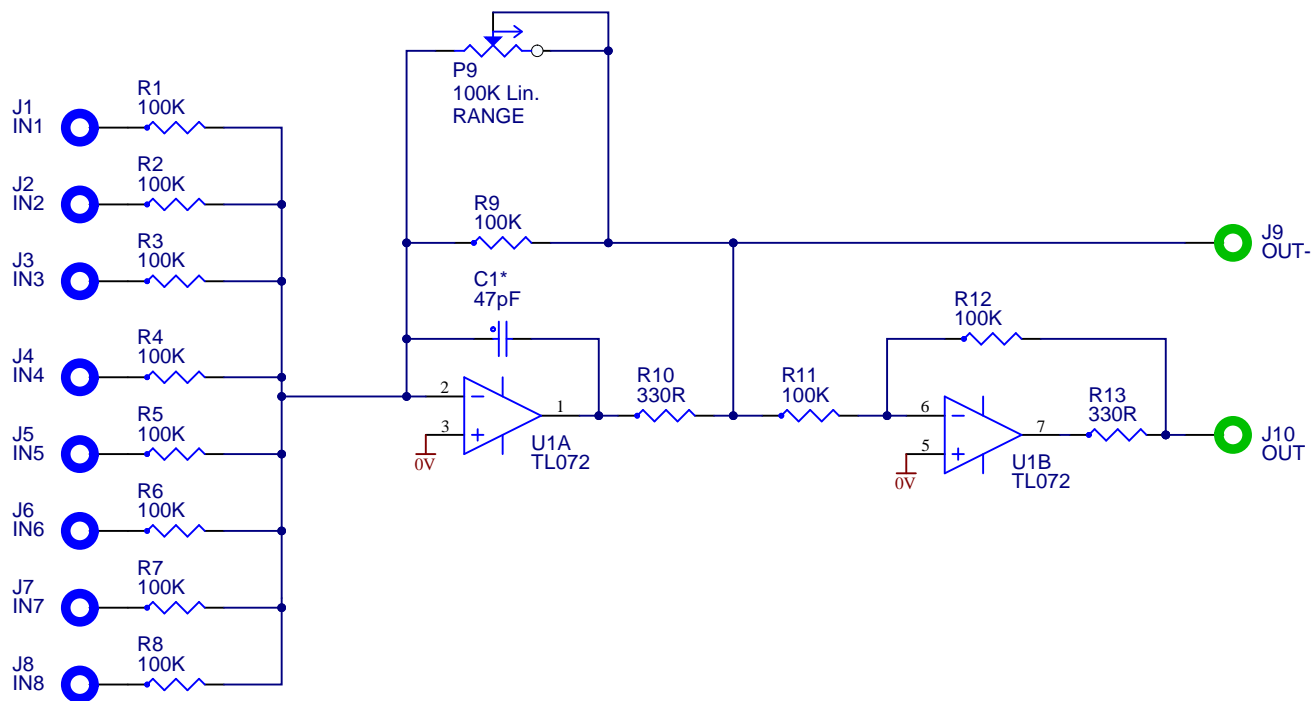


5 Dunning Avenue  
George Town  
TAS 7253  
Australia

**IMPORTANT NOTICE:**  
Information disclosed by this drawing is the property of ELBY Designs.  
Duplication or manufacturing rights granted by written permission only.

## CGS331 Digital Noise VC Clock

Size A4	FCSM No. 4/02/2025	DWG No. cgs331-vc-clock.schdoc	Rev P2.0
Scale		Laurie Biddulph	Sheet 2 of 4



5 Dunning Avenue  
George Town  
TAS 7253  
Australia

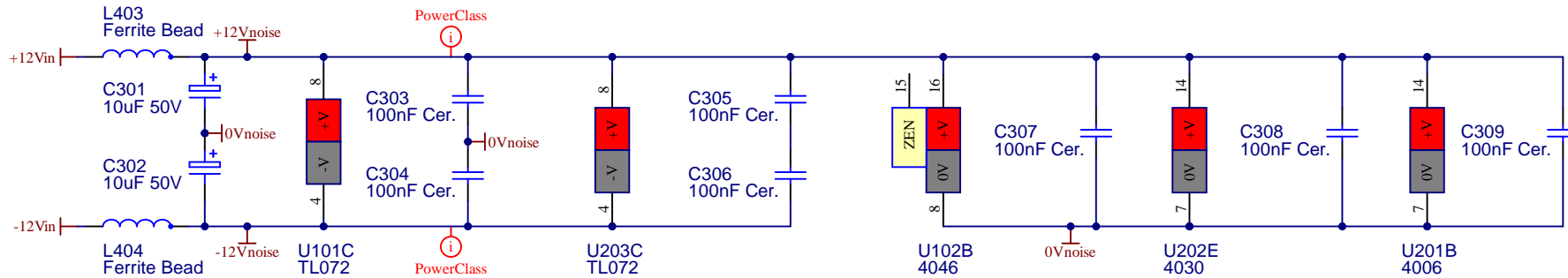
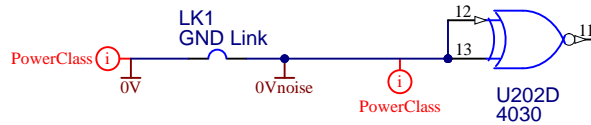
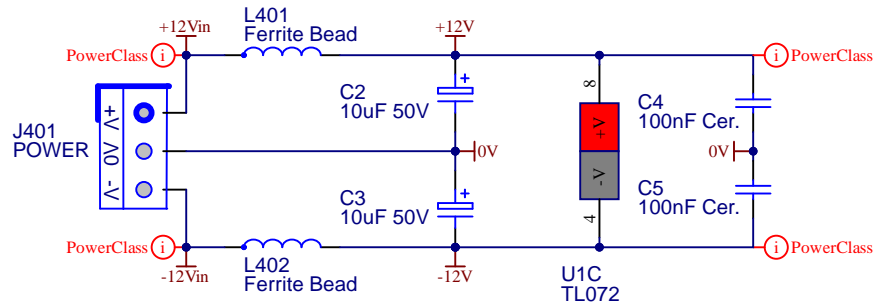
**IMPORTANT NOTICE:**

Information disclosed by this drawing is the property of ELBY Designs. Duplication or manufacturing rights granted by written permission only.

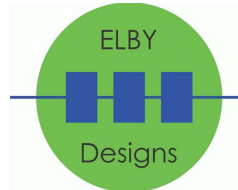


**CGS331 Digital Noise  
DC Mixer**

Size A4	FCSM No. 4/02/2025	DWG No. cgs331-mixer.schdoc	Rev P2.0
Scale	Laurie Biddulph		Sheet 3 of 4



LOGO-CGS<sup>o</sup> RCM



5 Dunning Avenue  
George Town  
TAS 7253  
Australia

**IMPORTANT NOTICE:**  
Information disclosed by this drawing is the property of ELBY Designs.  
Duplication or manufacturing rights granted by written permission only.

## CGS331 Digital Noise Power Supply

Size A4	FCSM No. 4/02/2025	DWG No. cgs331-power.schdoc	Rev P2.0
Scale		Laurie Biddulph	Sheet 4 of 4