

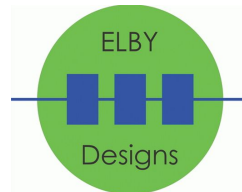
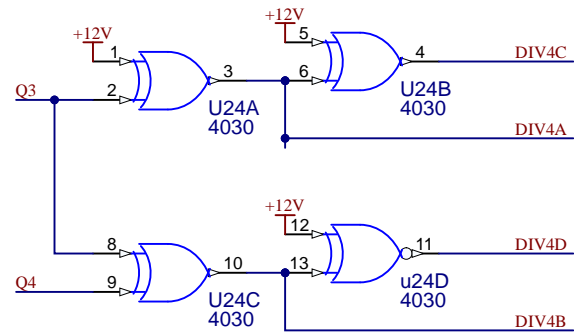
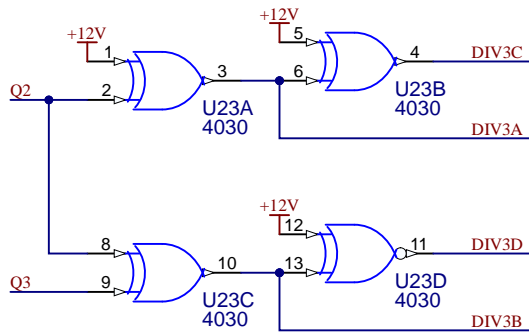
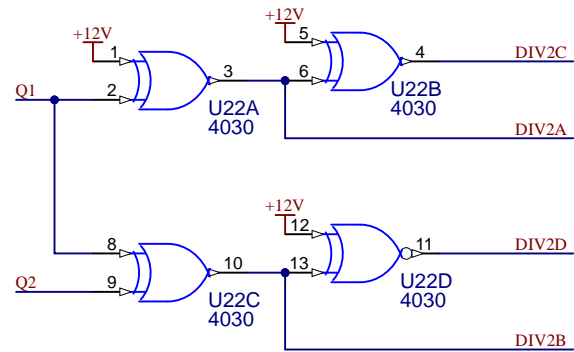
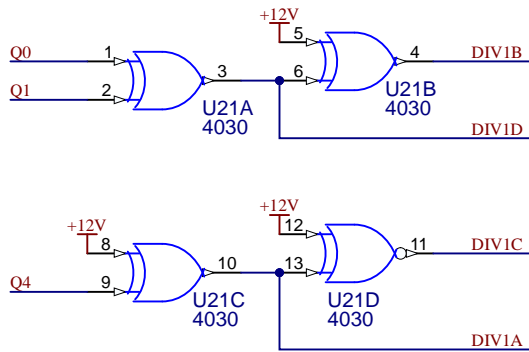
5 Dunning Avenue
George Town
TAS 7253
Australia

IMPORTANT NOTICE:
Information disclosed by this drawing is the property of ELBY Designs.
Duplication or manufacturing rights granted by written permission only.



CGS322- Master Divider Front-end

| | | | |
|------------|-----------------------|--------------------------------|-----------------|
| Size A4 | FCSMNo. 12/11/2024 | DWG No. cgs322-input.schdoc | Rev 3.0 |
| Scale | | Laurie Biddulph | Sheet 1 of 5 |



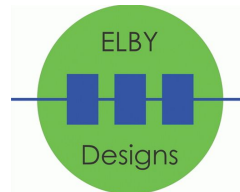
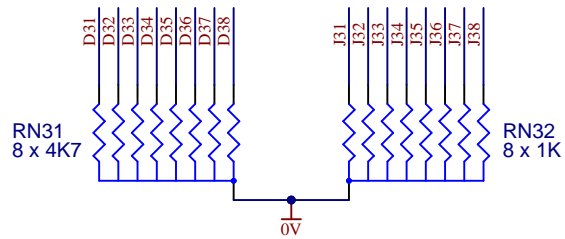
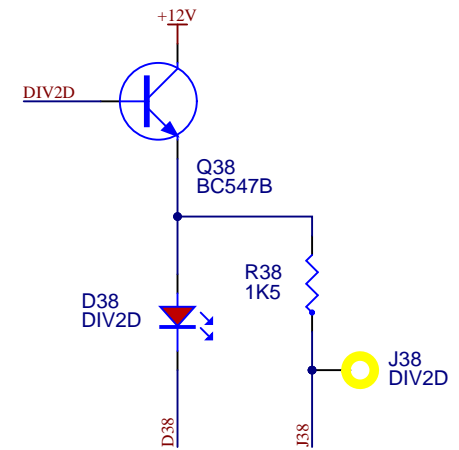
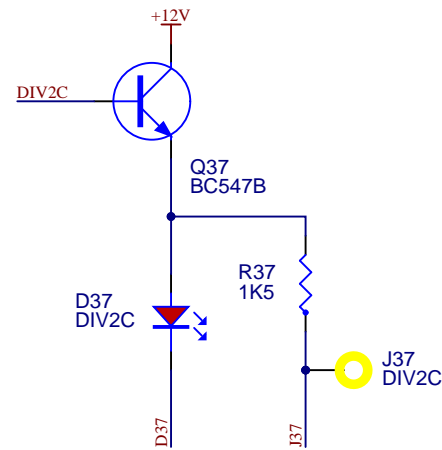
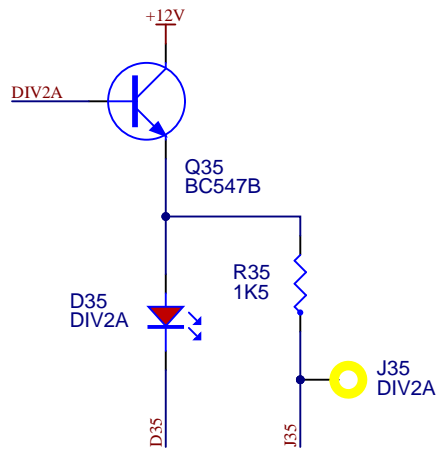
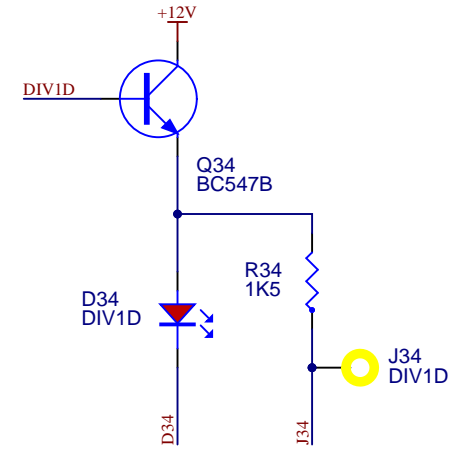
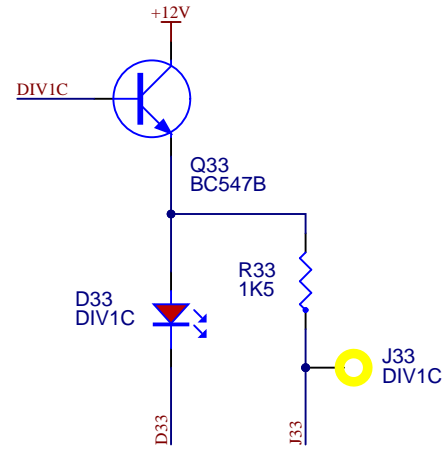
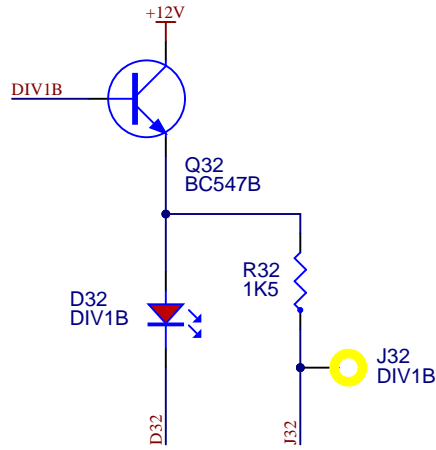
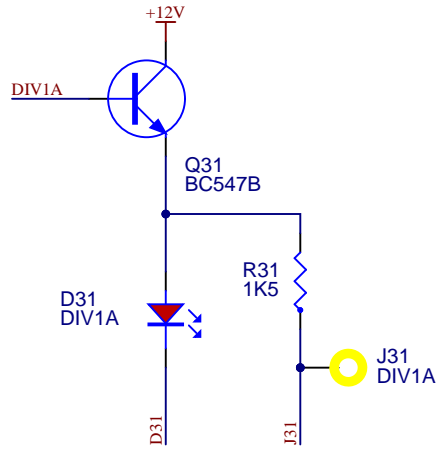
5 Dunning Avenue
George Town
TAS 7253
Australia

IMPORTANT NOTICE:
Information disclosed by this drawing is the property of ELBY Designs.
Duplication or manufacturing rights granted by written permission only.



CGS322- Master Divider Circuit Title

| | | | |
|------------|-----------------------|-------------------------------|-----------------|
| Size A4 | FCSMNo. 12/11/2024 | DWG No. cgs322-main.schdoc | Rev 3.0 |
| Scale | | Laurie Biddulph | Sheet 2 of 5 |



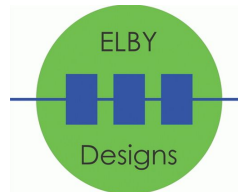
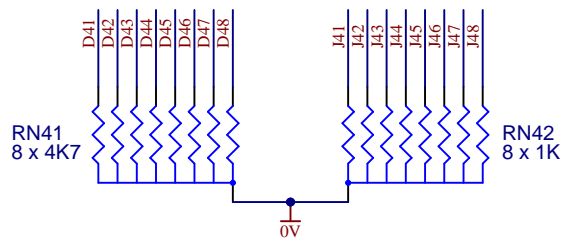
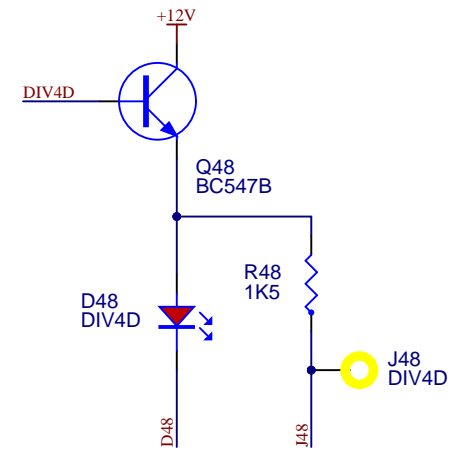
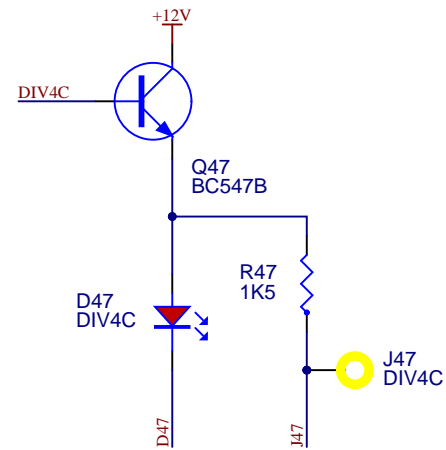
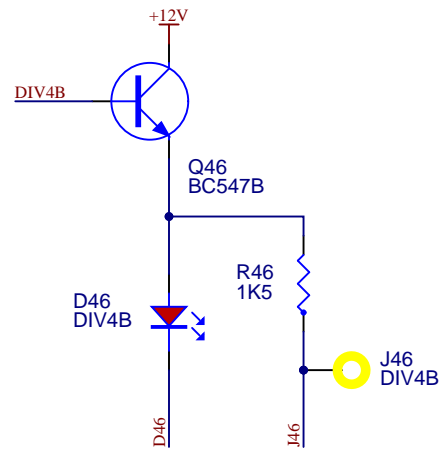
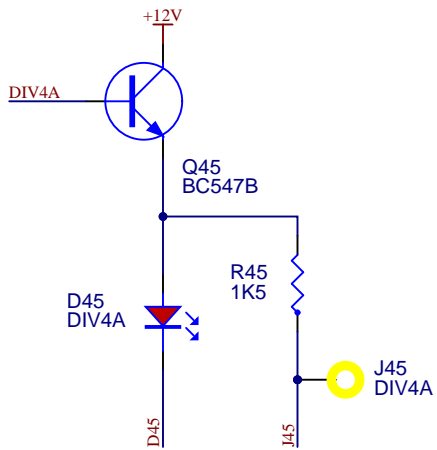
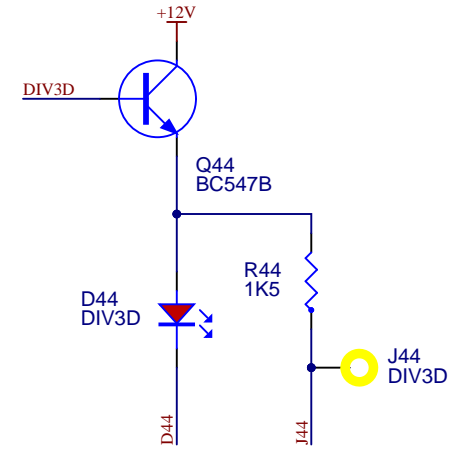
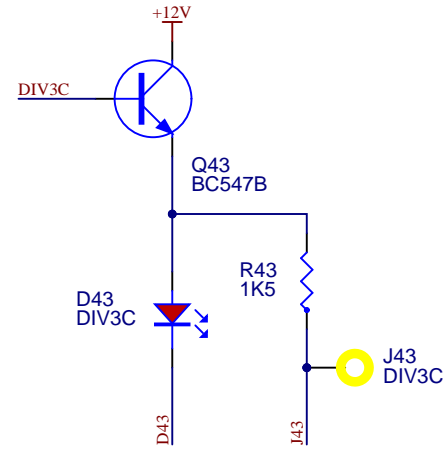
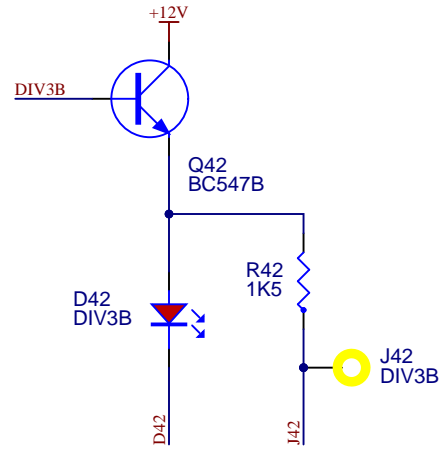
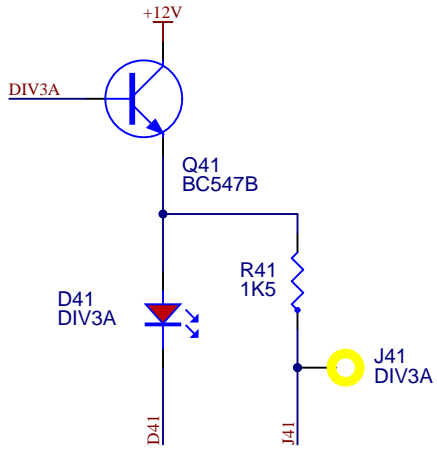
5 Dunning Avenue
George Town
TAS 7253
Australia

IMPORTANT NOTICE:
Information disclosed by this drawing is the property of ELBY Designs.
Duplication or manufacturing rights granted by written permission only.



CGS322- Master Divider Output Drivers

| | | | |
|------------|-----------------------|--------------------------------------|------------|
| Size A4 | FCSMNo. 12/11/2024 | DWG No. cgs322-outputs_1-8.schdoc | Rev 3.0 |
| Scale | Laurie Biddulph | Sheet 3 of 5 | |



5 Dunning Avenue
George Town
TAS 7253
Australia

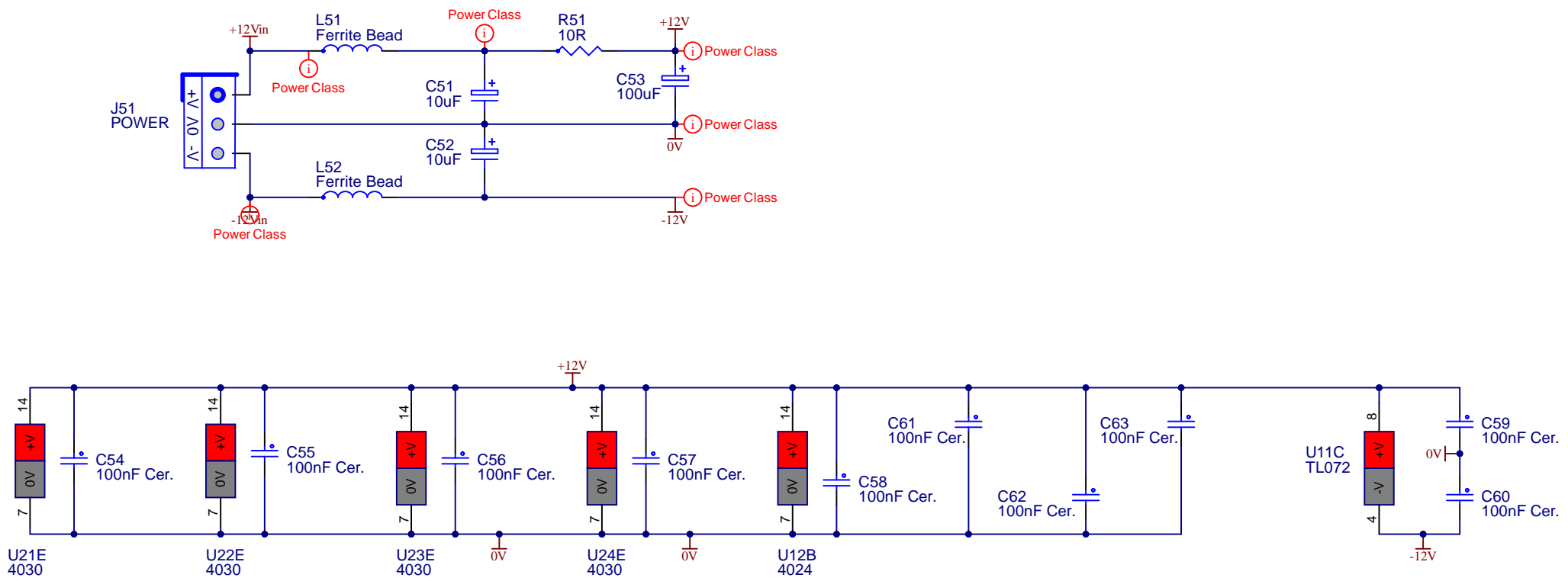
IMPORTANT NOTICE:

Information disclosed by this drawing is the property of ELBY Designs. Duplication or manufacturing rights granted by written permission only.

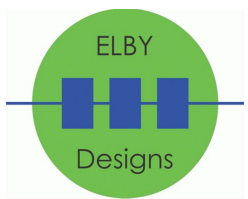


**CGS322- Master Divider
Output Drivers**

| | | | |
|------------|-----------------------|---------------------------------------|------------|
| Size A4 | FCSMNo. 12/11/2024 | DWG No. cgs322-outputs-9_15.schdoc | Rev 3.0 |
| Scale | Laurie Biddulph | Sheet 4 of 5 | |



LOGO RCM R0HS



5 Dunning Avenue
George Town
TAS 7253
Australia

IMPORTANT NOTICE:
Information disclosed by this drawing is the property of ELBY Designs.
Duplication or manufacturing rights granted by written permission only.



CGS322- Master Divider Power Supply

| | | | |
|------------|-----------------------|--------------------------------|-----------------|
| Size A4 | FCSMNo. 12/11/2024 | DWG No. cgs322-power.schdoc | Rev 3.0 |
| Scale | Laurie Biddulph | | Sheet 5 of 5 |