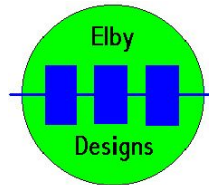
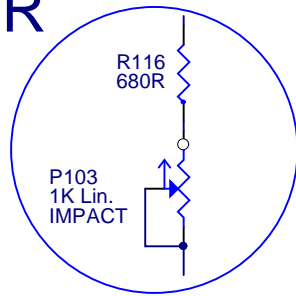


OR



9 Follan Close
Kariang
NSW 2250
Australia

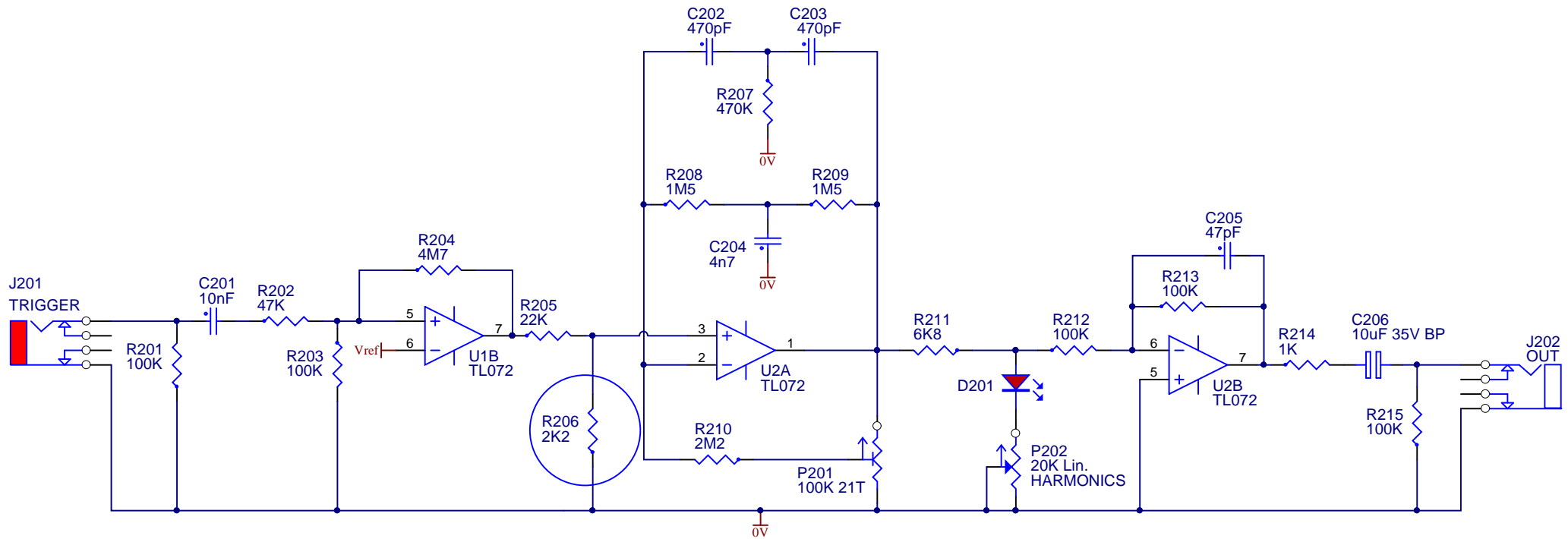
IMPORTANT NOTICE:

Information disclosed by this drawing is the property of ELBY Designs. Duplication or manufacturing rights granted by written permission only.

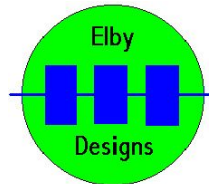
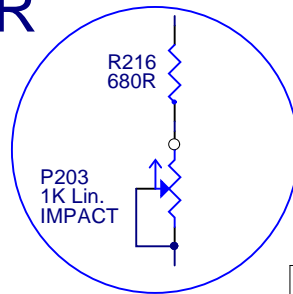


**CGS18 Drum Simulator
Drum Circuit 1**

Size A4	FCSM No. 21/11/2019	DWG No. cgs18-drum1.schdoc	Rev 1
Scale	Laurie Biddulph		Sheet 1 of 3



OR



9 Follan Close
Kariang
NSW 2250
Australia

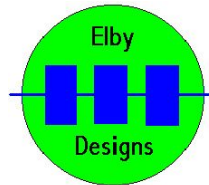
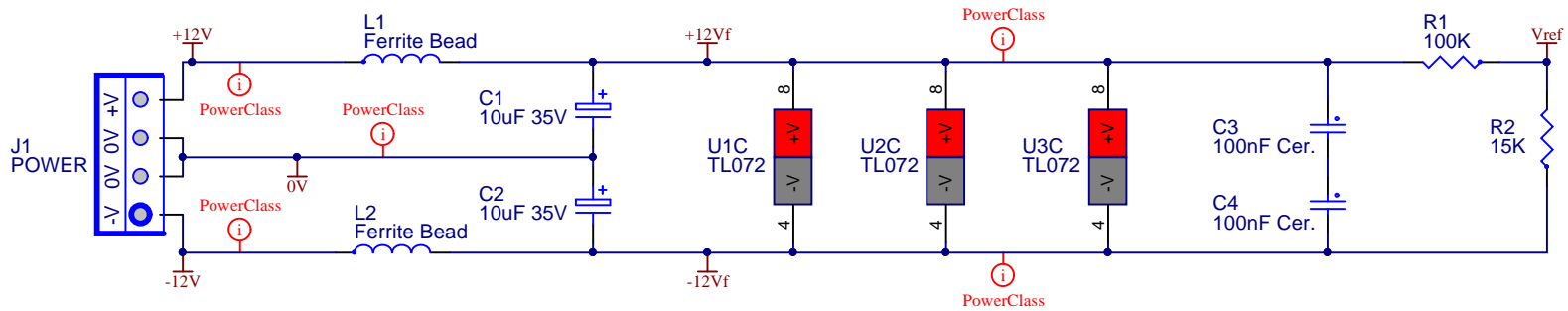
IMPORTANT NOTICE:

Information disclosed by this drawing is the property of ELBY Designs.
Duplication or manufacturing rights granted by written permission only.



**CGS18 Drum Simulator
Drum Circuit 2**

Size A4	FCSM No. 21/11/2019	DWG No. cgs18-drum2.schdoc	Rev 1
Scale	Laurie Biddulph	Sheet 2 of 3	



9 Follan Close
Karingong
NSW 2250
Australia

IMPORTANT NOTICE:

Information disclosed by this drawing is the property of ELBY Designs.
Duplication or manufacturing rights granted by written permission only.



**CGS18 Drum Simulator
Power Supply**

Size A4	FCSM No. 21/11/2019	DWG No. cgs18-power.schdoc	Rev 1
Scale	Laurie Biddulph		Sheet 3 of 3