

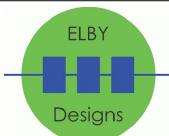
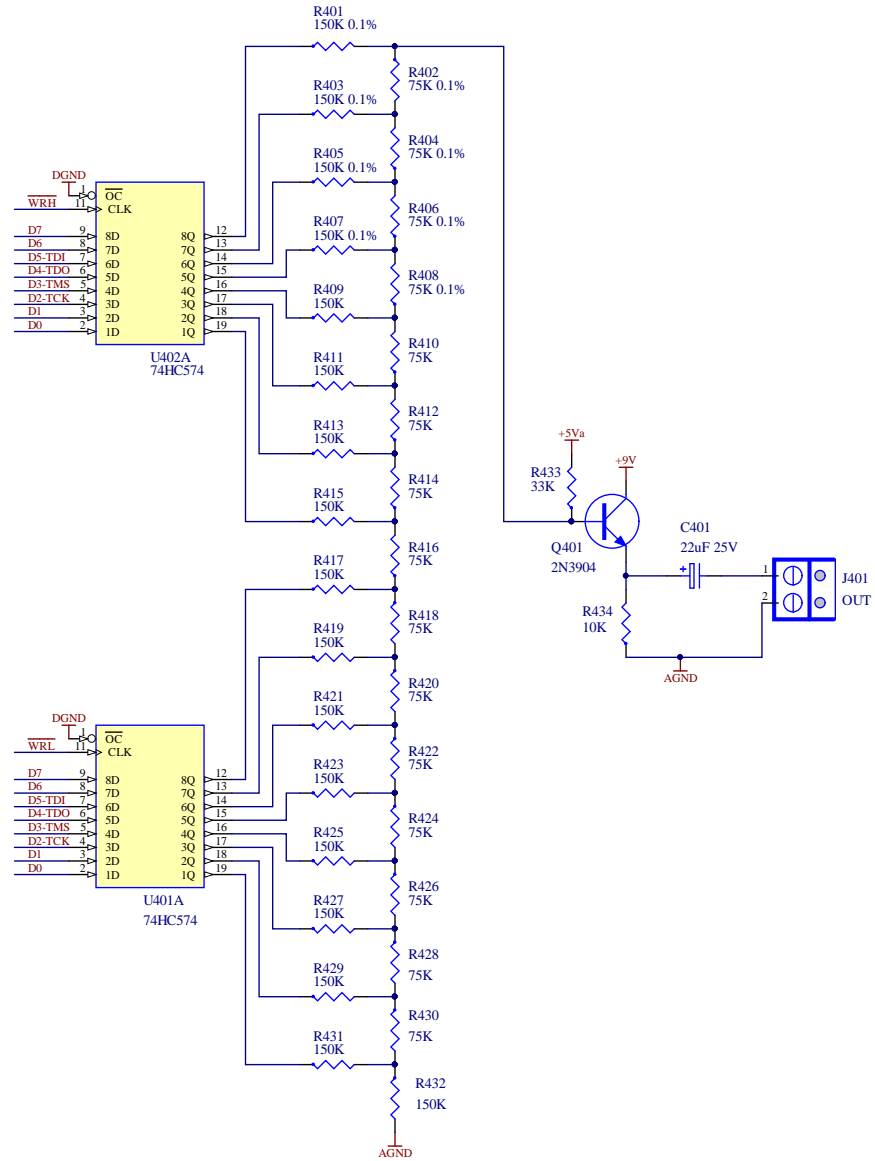
9 Follan Close  
Kariong  
NSW 2250  
Australia

**IMPORTANT NOTICE:**  
Information disclosed by this drawing is the property of ELBY Designs.  
Duplication or manufacturing rights granted by written permission only.

## AVR Synthesiser Interface Circuit

From a design by Jaroslaw Ziembicki

Size A4	FCSM No. 1/05/2020	DWG No. control.schdoc	Rev 1
Scale	Laurie Biddulph		Sheet 2 of 4



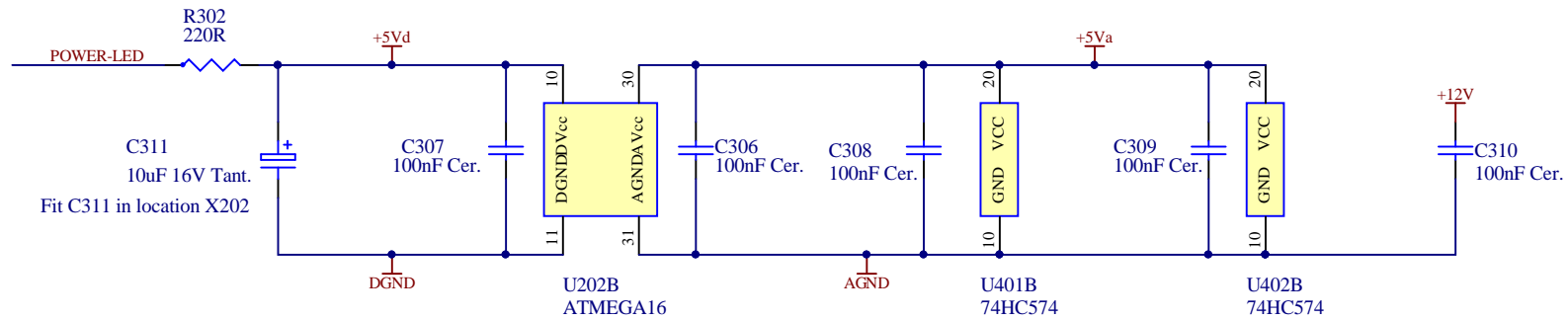
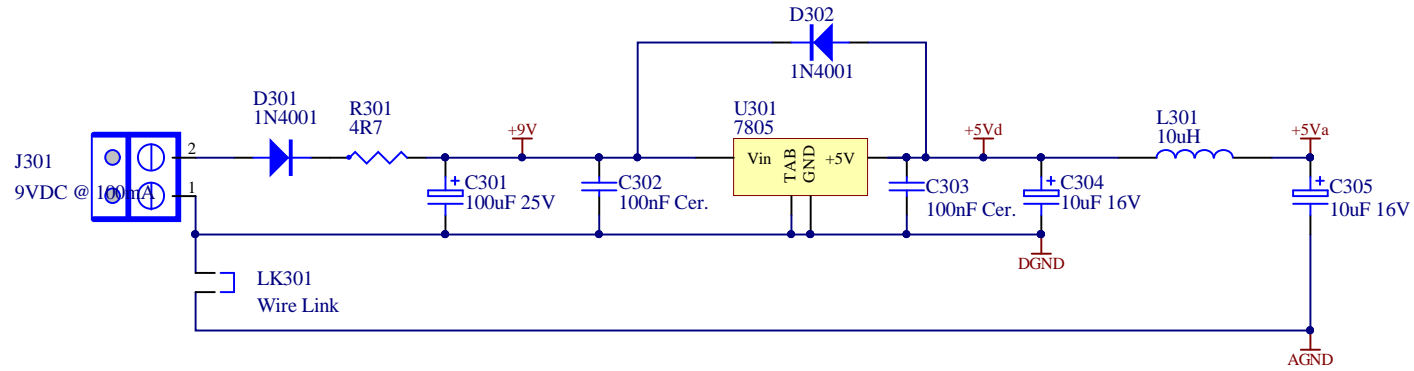
9 Follan Close  
Kariang  
NSW 2250  
Australia

**IMPORTANT NOTICE:**  
Information disclosed by this drawing is the property of ELBY Designs.  
Duplication or manufacturing rights granted by written permission only.

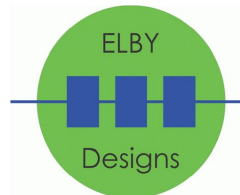
### AVR Synthesiser Digital to Analog Converter

From a design by Jaroslaw Ziembicki

Size A4	FCSM No. 1/05/2020	DWG No. dac.schdoc	Rev 1
Scale		Sheet	
Laurie Biddulph		3 of 4	



Please note that 30 & 31 are reversed on the pcb



9 Follan Close  
Kariang  
NSW 2250  
Australia

**IMPORTANT NOTICE:**

Information disclosed by this drawing is the property of ELBY Designs. Duplication or manufacturing rights granted by written permission only.

**AVR Synthesiser  
Power Supply**

From a design by Jaroslaw Ziembicki

Size A4	FCSM No. 1/05/2020	DWG No. power.schdoc	Rev 1
Scale	Laurie Biddulph		Sheet 4 of 4