

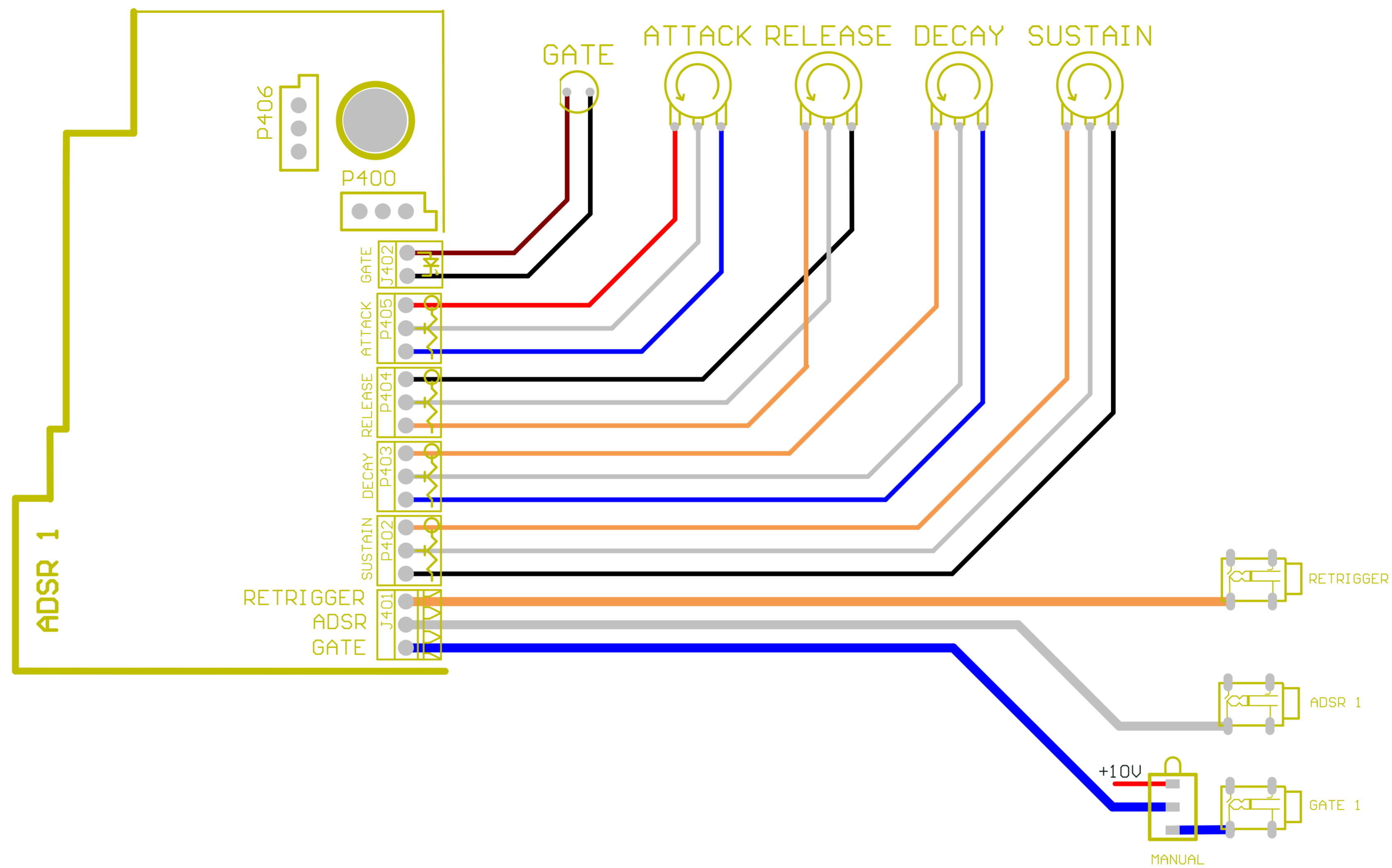
9 Folan Close
 Kariong
 NSW 2250
 Australia

ASM2-Wizard

ADSR 1

Size A4	FCSM No. 6/10/2006	DWG No. adsr1.schdoc	Rev 1
Scale	Laurie Bidulph		Sheet 1 of 18

Panel components viewed from solder side



Elby Designs
 Kariong, NSW 2250
 Australia
 www.elby-designs.com

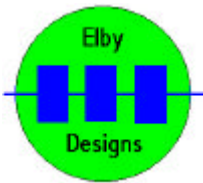
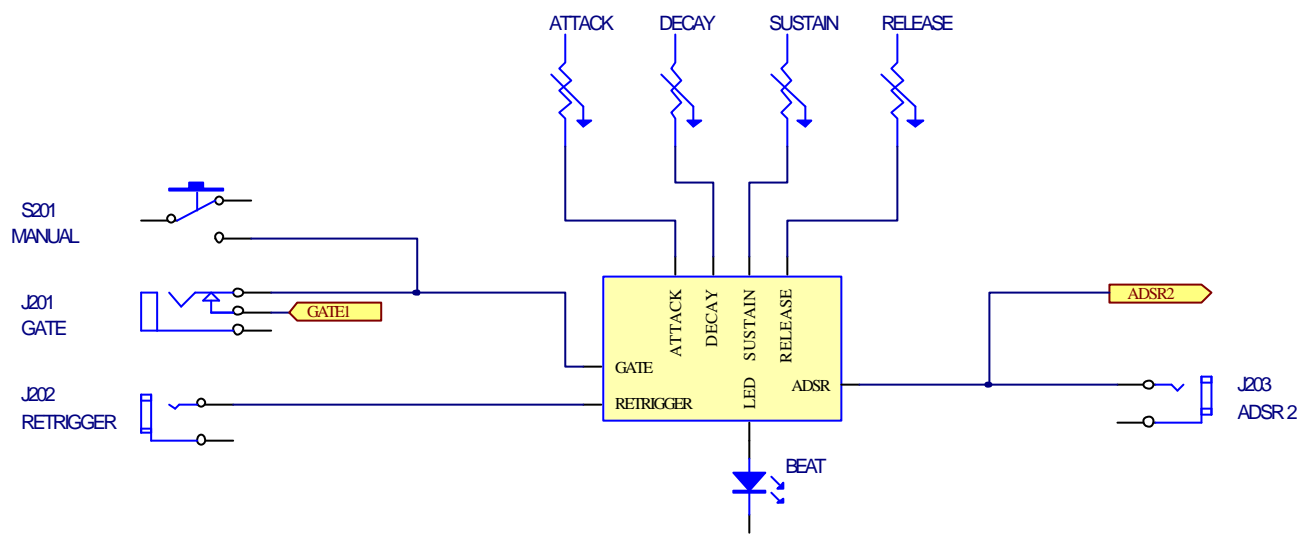
ASM2-Wizard
 ADSR 1
 Wiring Details

All dimensions in millimeters
 unless stated otherwise.

(A4) Not to scale

Rev: 1a

Date: 23/02/07



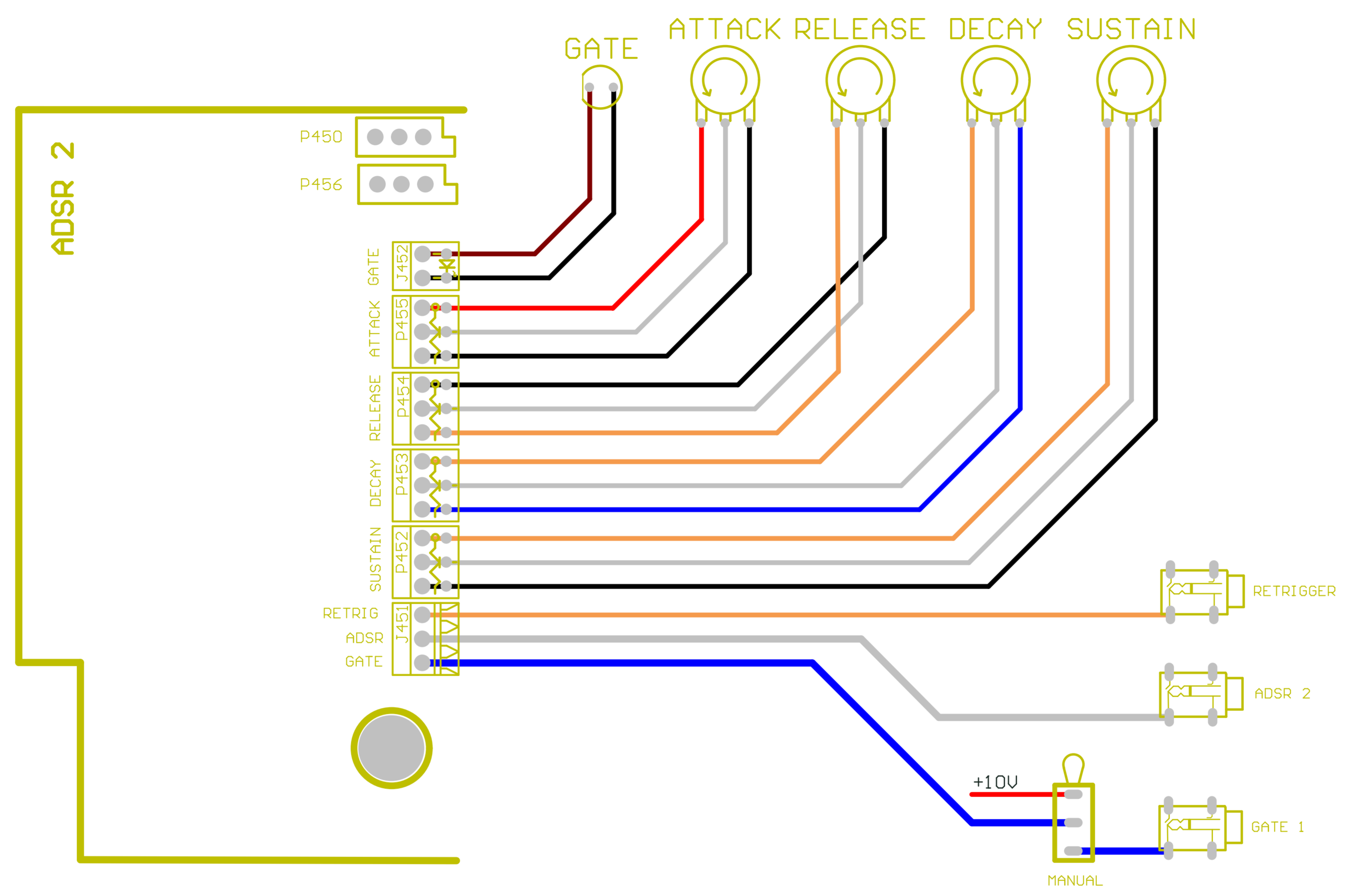
9 Folan Close
Kariang
NSW 2250
Australia

ASM2-Wizard

ADSR 2

Size A4	FCSM No. 6102006	DWG No. adsr2.schdoc	Rev 1
Scale	Laurie Bidolph		Sheet 2 of 18

Panel components viewed from solder side



Elby Designs
 Kariong, NSW 2250
 Australia
www.elby-designs.com

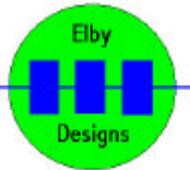
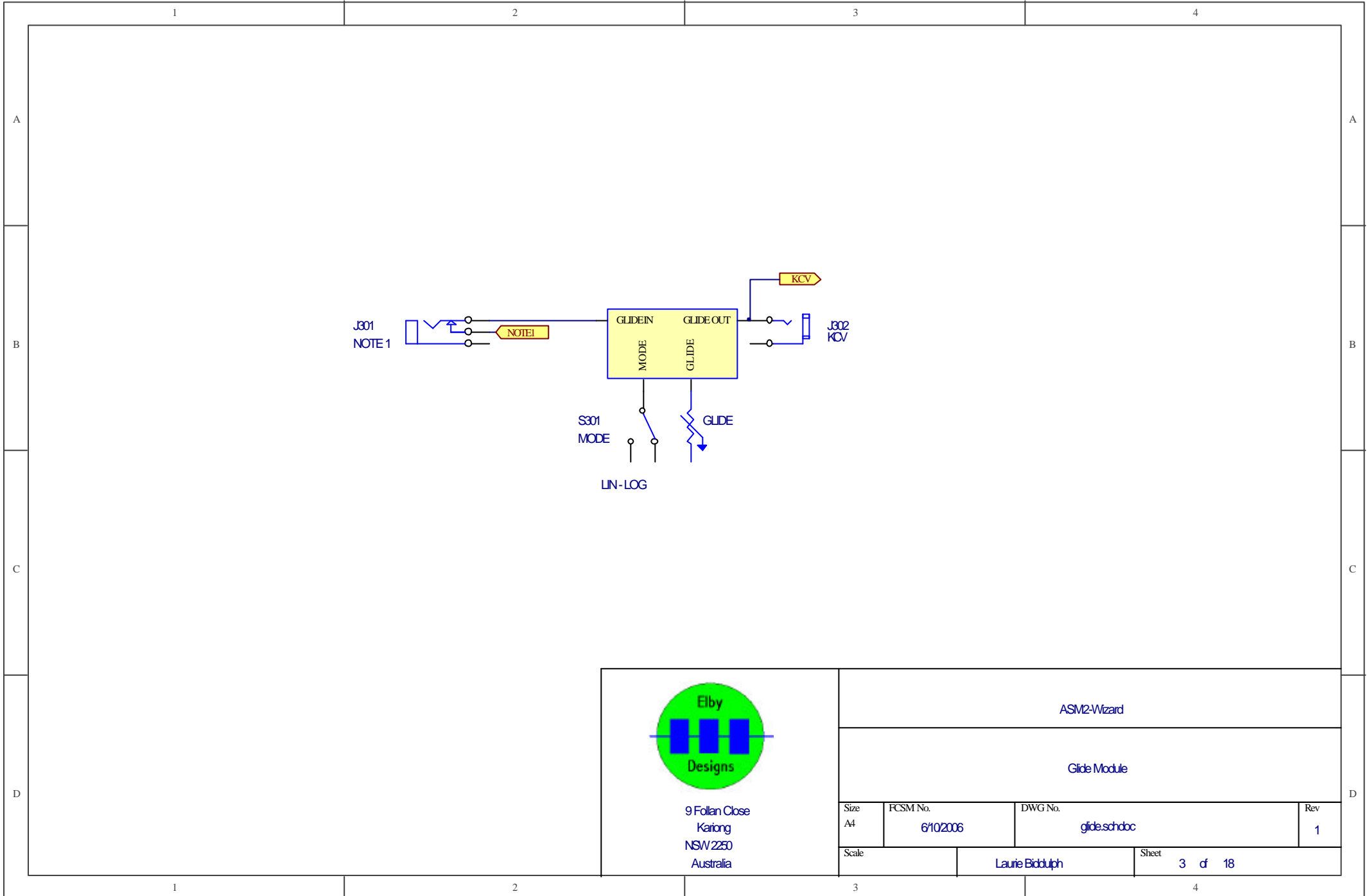
ASM2-Wizard
 ADSR 2
 Wiring Details

All dimensions in millimeters
 unless stated otherwise.

(A4) Not to scale

Rev: 1a

Date: 23/02/07



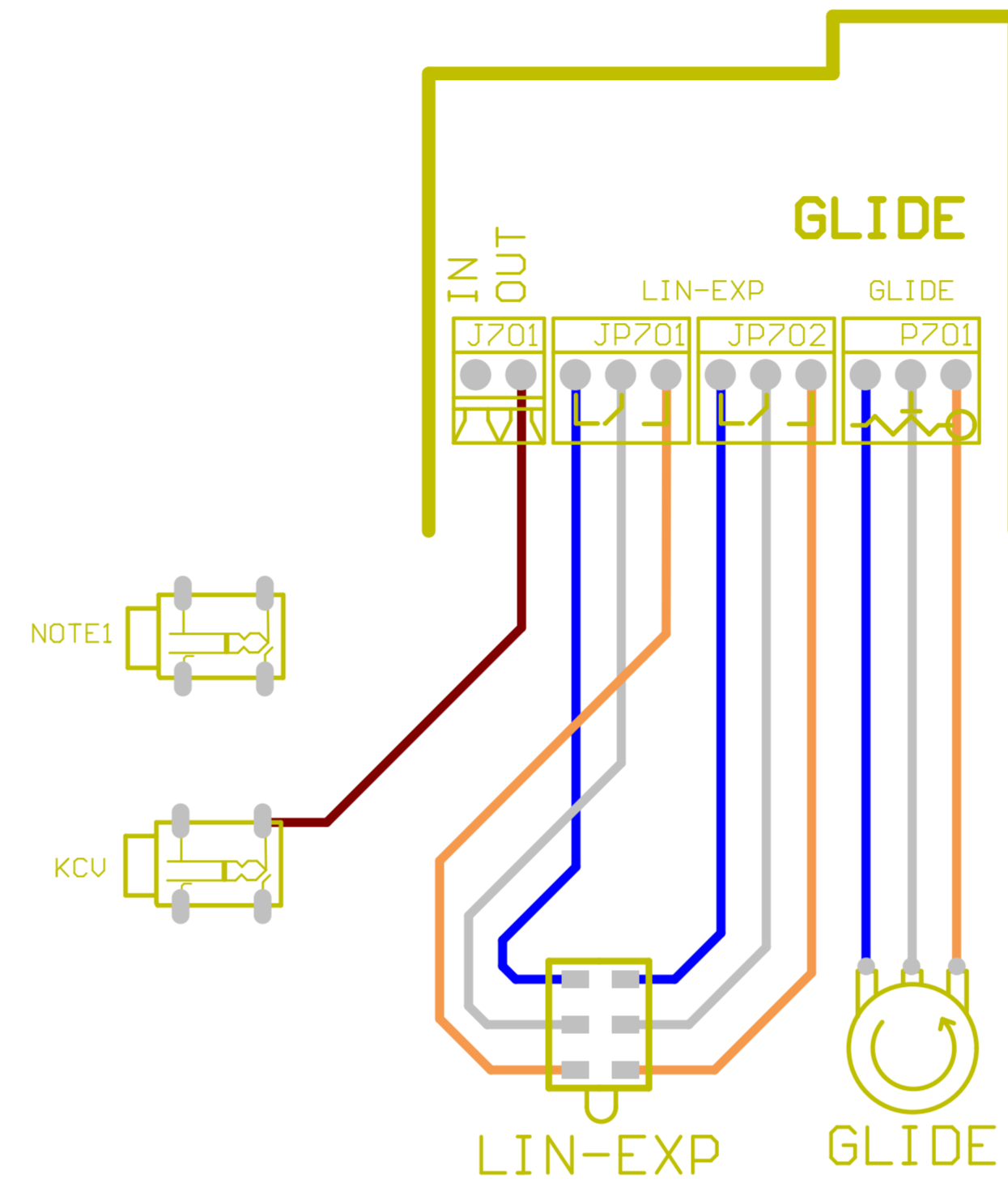
9 Folan Close
 Kariong
 NSW 2250
 Australia

ASM2-Wizard

Glide Module

Size A4	FCSM No. 6102006	DWG No. glide.schdoc	Rev 1
Scale	Laurie Bidulph		Sheet 3 of 18

400mm x Brown
 400mm x Green
 1200mm x Orange
 1200mm x White
 1200mm x Blue



Panel components viewed from solder side

Elby Designs
 Kariong, NSW 2250
 Australia
www.elby-designs.com

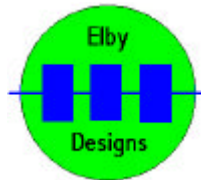
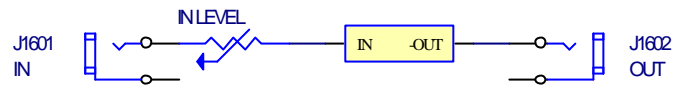
Title: **ASM2-Wizard
 GLIDE Module
 Wiring Details**

All dimensions in millimeters
 unless stated otherwise.

(A4) Not to scale

Rev: 1

Date: 21/02/07

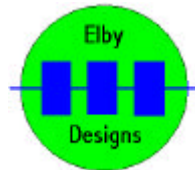
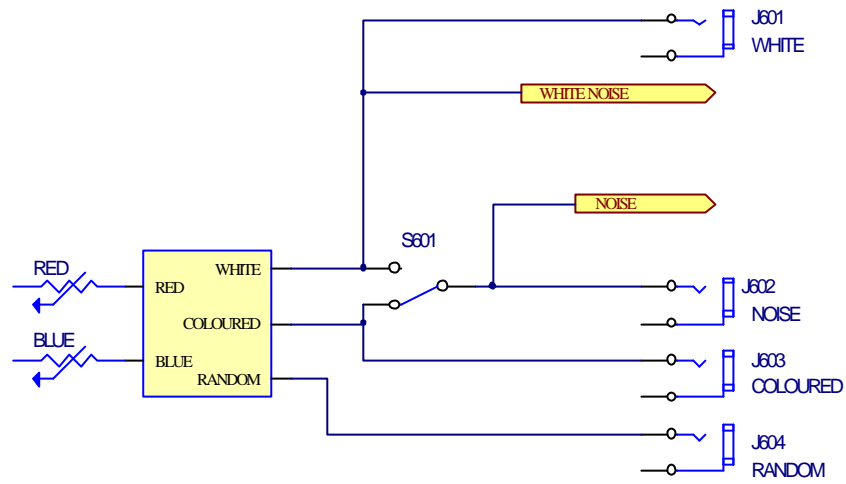


9 Folan Close
 Kariong
 NSW 2250
 Australia

ASM2-Wizard

Inverter

Size A4	FCSM No. 6/10/2006	DWG No. inverter.schdoc	Rev 1
Scale	Laurie Bidolph		Sheet 16 of 18



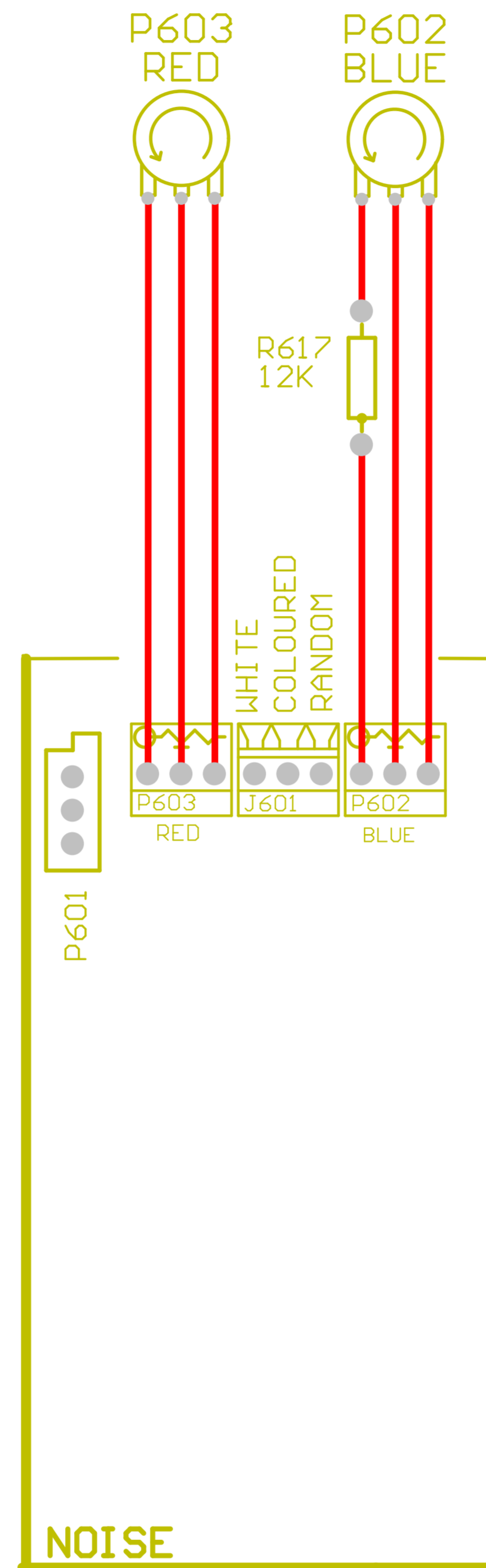
9 Follan Close
Kariang
NSW 2250
Australia

ASM2-Wizard

Noise Module

Size A4	FCSM No. 6/10/2006	DWG No. noise.schdoc	Rev 1
Scale	Laurie Bidolph		Sheet 6 of 18

Panel components viewed from rear



Elby Designs
Kariong, NSW 2250
Australia
www.elby-designs.com

Title:

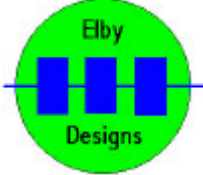
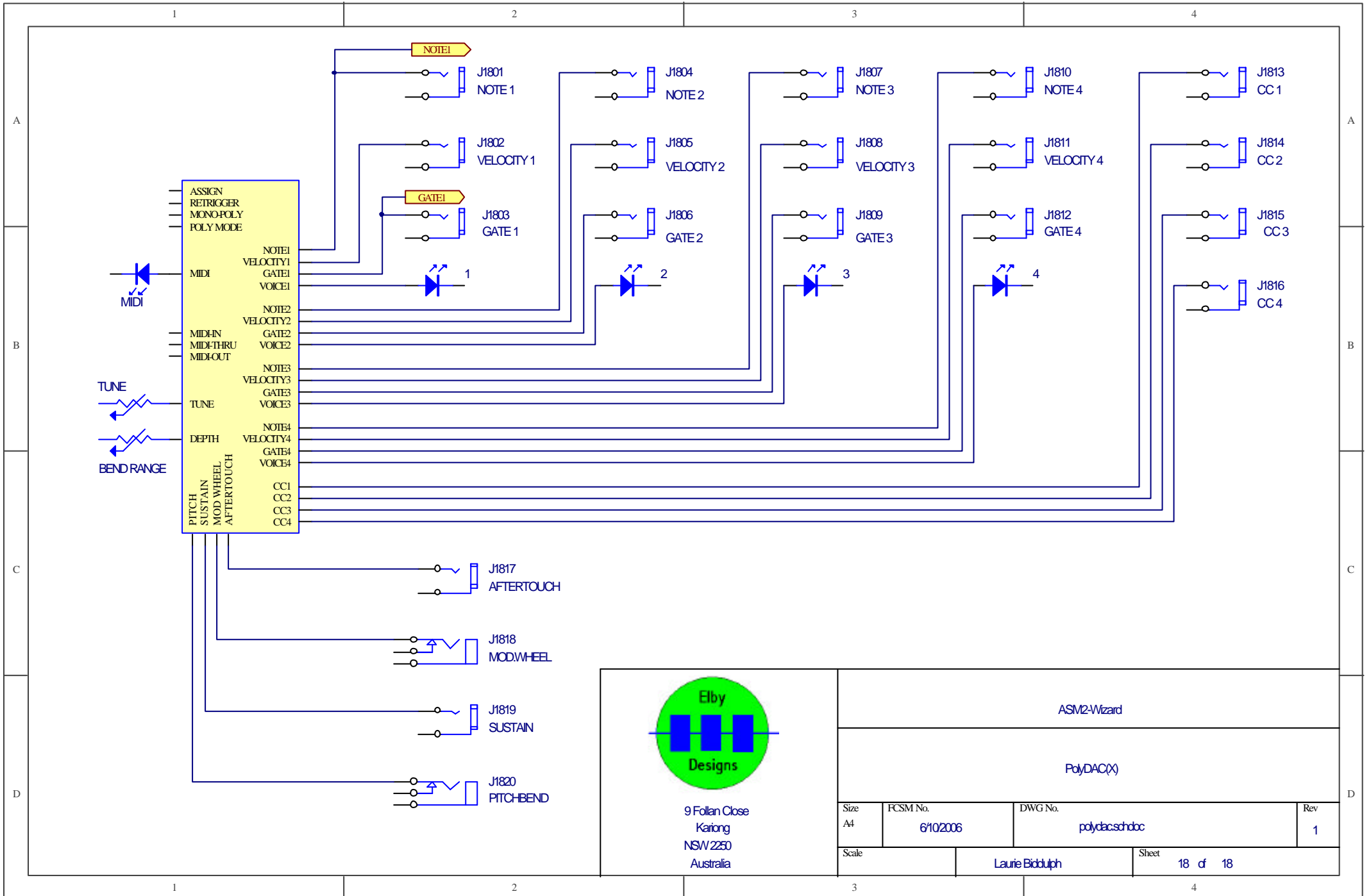
ASM-2 Noise
Wiring Details

All dimensions in millimeters
unless stated otherwise.

(A4) Not to scale

Rev: 2

Date: 26/03/05



9 Follan Close
Kariang
NSW 2250
Australia

ASM2-Wizard			
PolyDAC(X)			
Size A4	FCSM No. 6/10/2006	DWG No. polydac.schdoc	Rev 1
Scale	Laurie Bidulph		Sheet 18 of 18

1

2

3

4

A

A

B

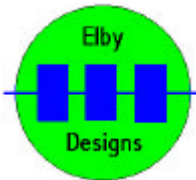
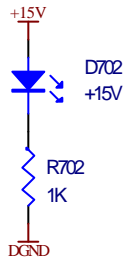
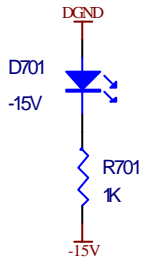
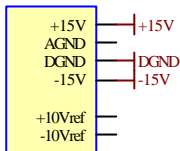
B

C

C

D

D



9 Follan Close
 Kariong
 NSW 2250
 Australia

ASM2-Wizard

Power Supply

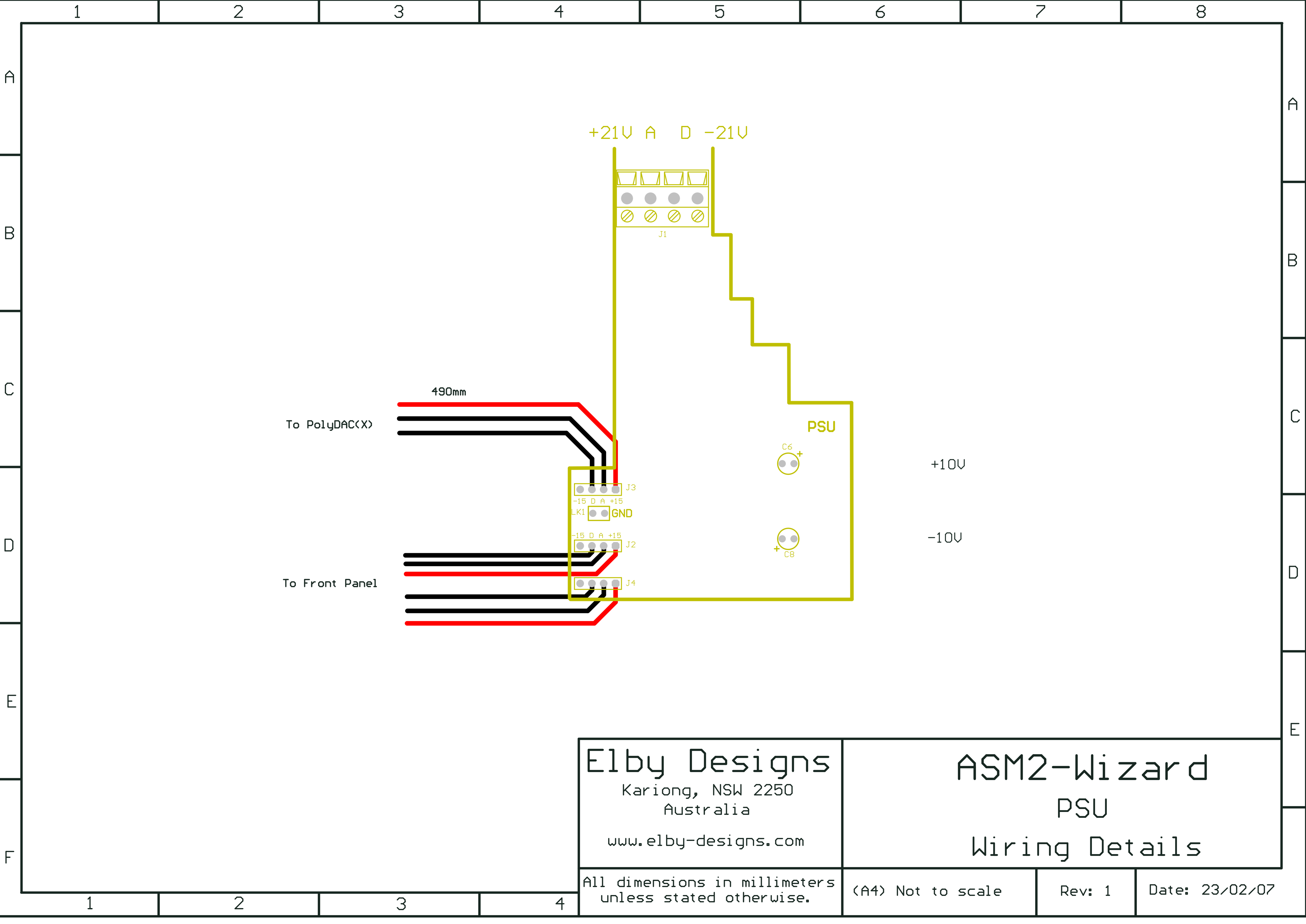
Size A4	FCSM No. 6102006	DWG No. psuschdoc	Rev 1
Scale	Laurie Bidolph		Sheet 7 of 18

1

2

3

4



Elby Designs
 Kariong, NSW 2250
 Australia
www.elby-designs.com

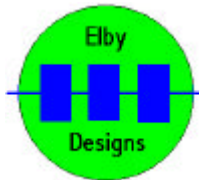
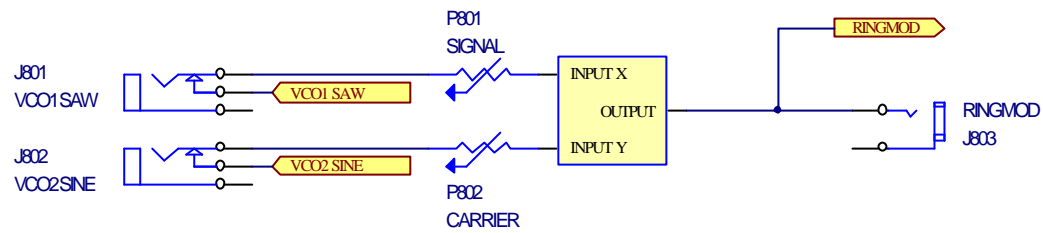
ASM2-Wizard
 PSU
 Wiring Details

All dimensions in millimeters unless stated otherwise.

(A4) Not to scale

Rev: 1

Date: 23/02/07



9 Follan Close
Kariang
NSW 2250
Australia

ASM2-Wizard

Ring Modulator

Size A4	FCSM No. 6102006	DWG No. ring.schdoc	Rev 1
Scale	Laurie Bidulph		Sheet 8 of 18

1

2

3

4

5

6

7

8

A

A

590mm x Blue
 770mm x White
 720mm x Orange

B

B

C

C

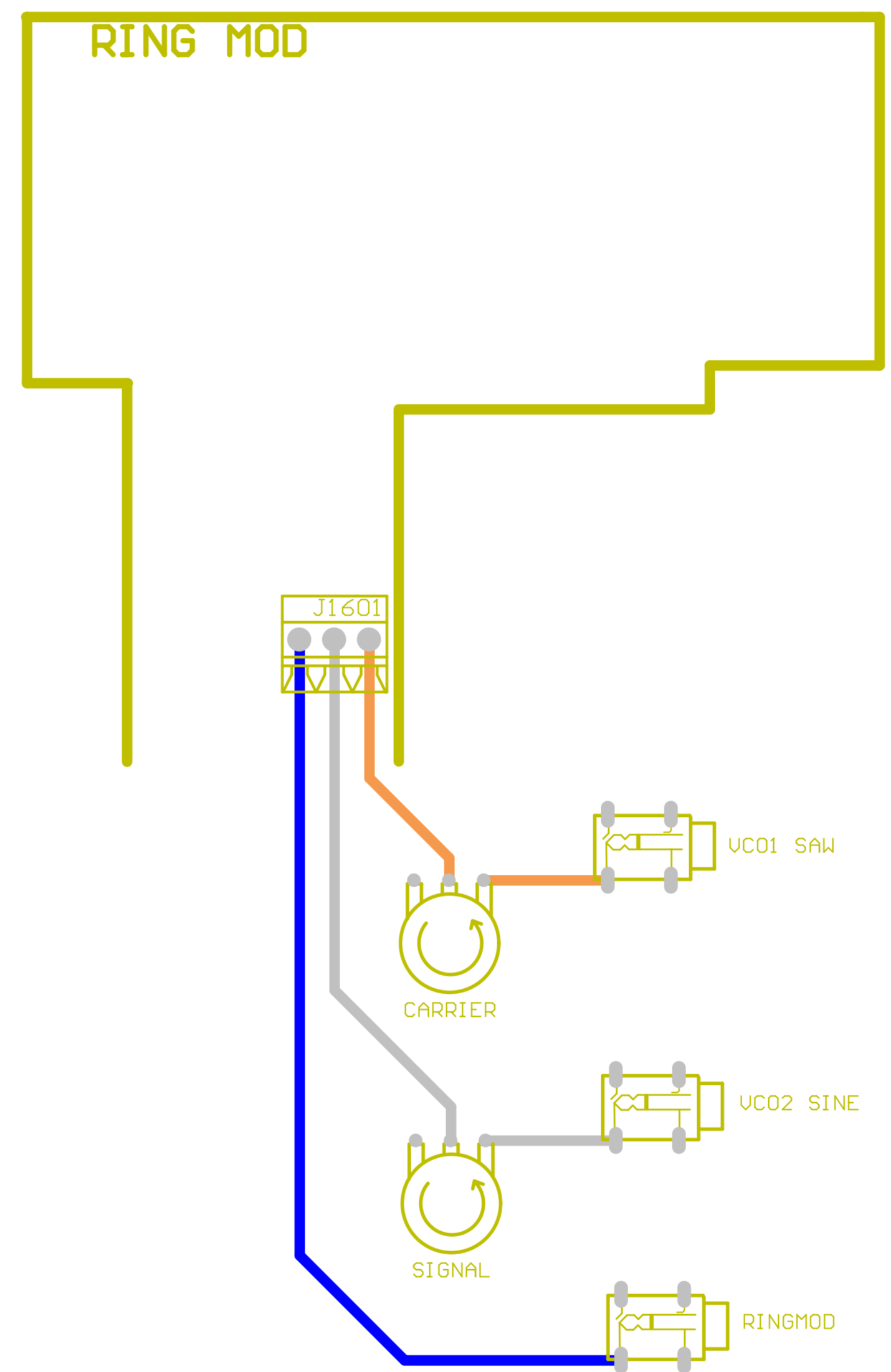
D

D

E

E

F



Panel components viewed from solder side

Elby Designs
 Kariong, NSW 2250
 Australia
www.elby-designs.com

ASM2-Wizard
RING MODULATOR
Wiring Details

All dimensions in millimeters unless stated otherwise.

(A4) Not to scale

Rev: 1

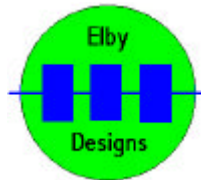
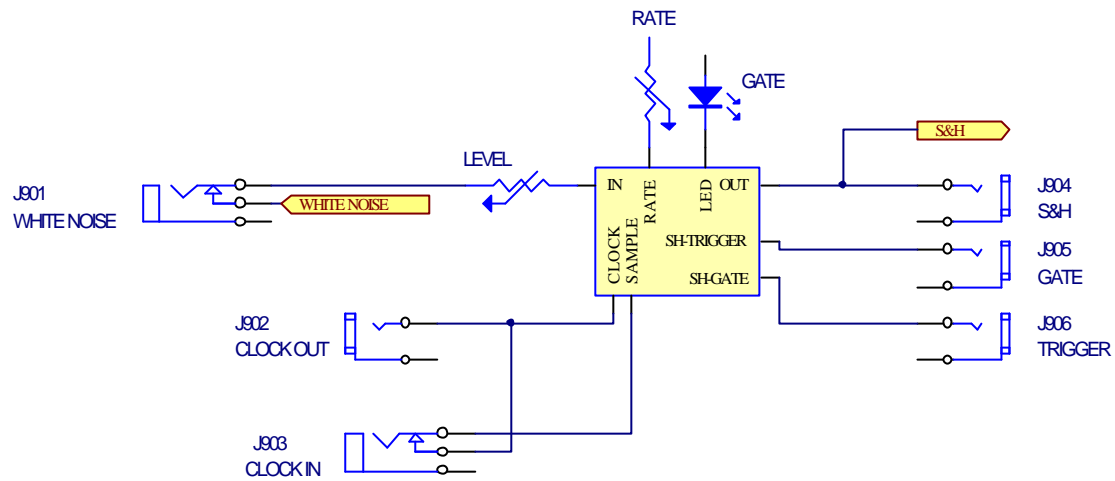
Date: 23/02/07

1

2

3

4



9 Follan Close
Kariang
NSW 2250
Australia

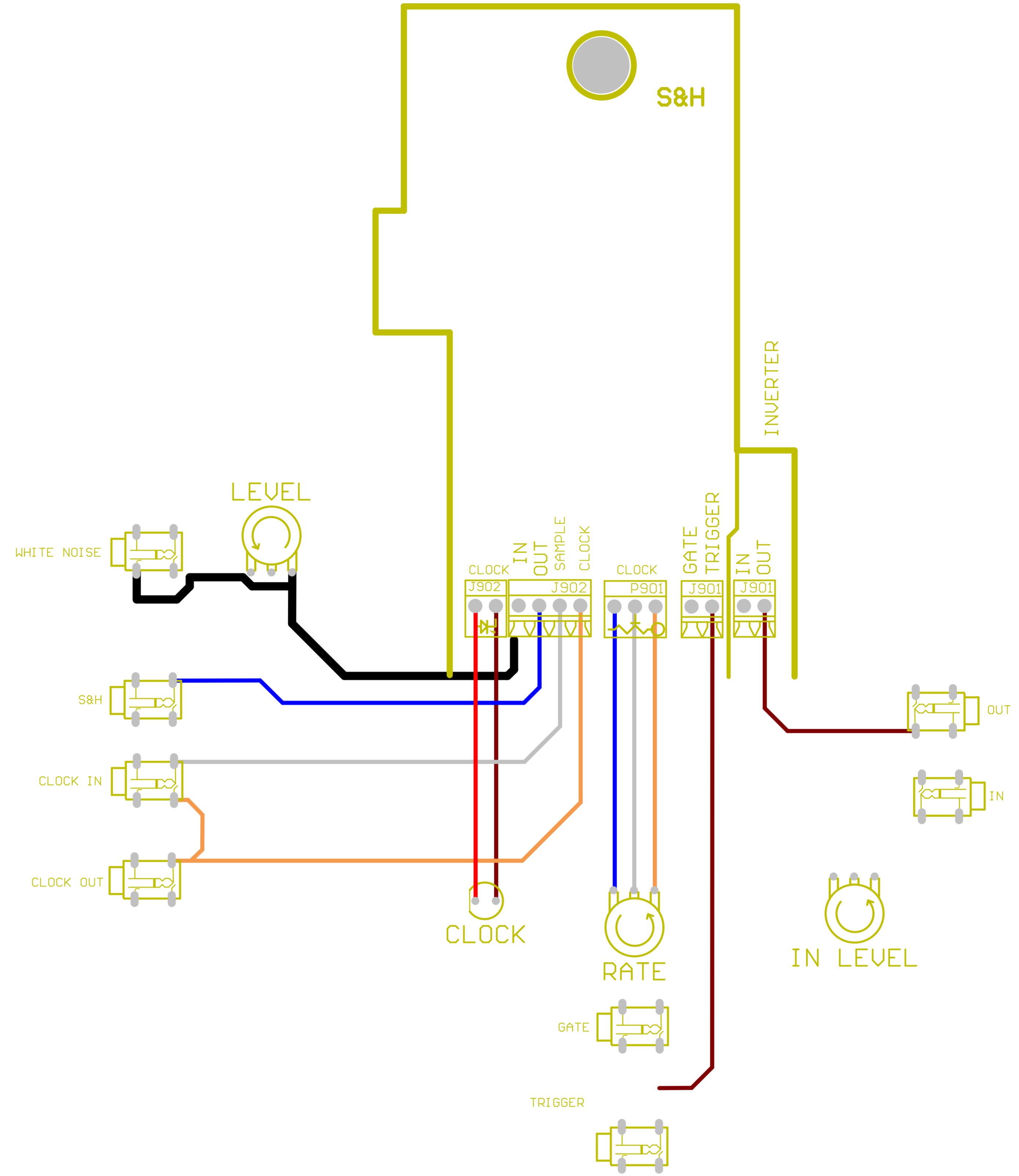
ASM2-Wizard

Sample & Hold

Size A4	FCSM No. 6/10/2006	DWG No. sampleschdoc	Rev 1
Scale	Laurie Bidulph		Sheet 9 of 18

920mm x Brown
 1050mm x Green
 800mm x Orange
 740mm x White
 790mm x Blue
 490mm x Red
 420mm x Screened

380mm x Brown
 560mm x Green



Panel components viewed from solder side

Elby Designs
 Kariong, NSW 2250
 Australia
www.elby-designs.com

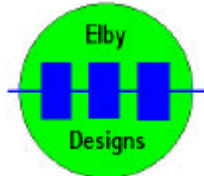
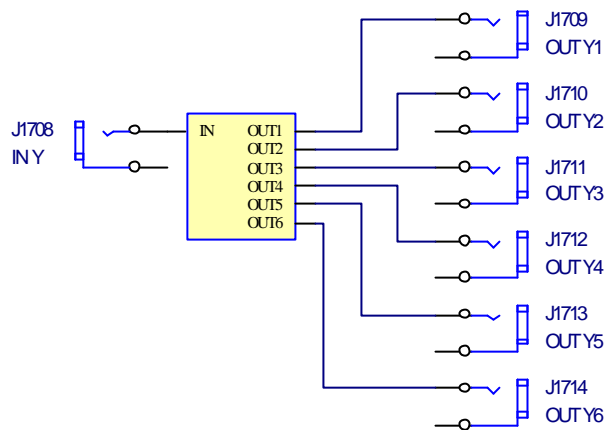
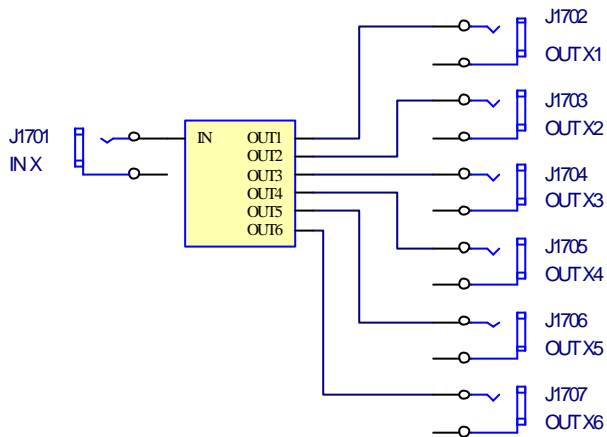
Title: **ASM2-Wizard**
Sample & Hold Module
Wiring Details

All dimensions in millimeters unless stated otherwise.

(A4) Not to scale

Rev: 1

Date: 21/02/07



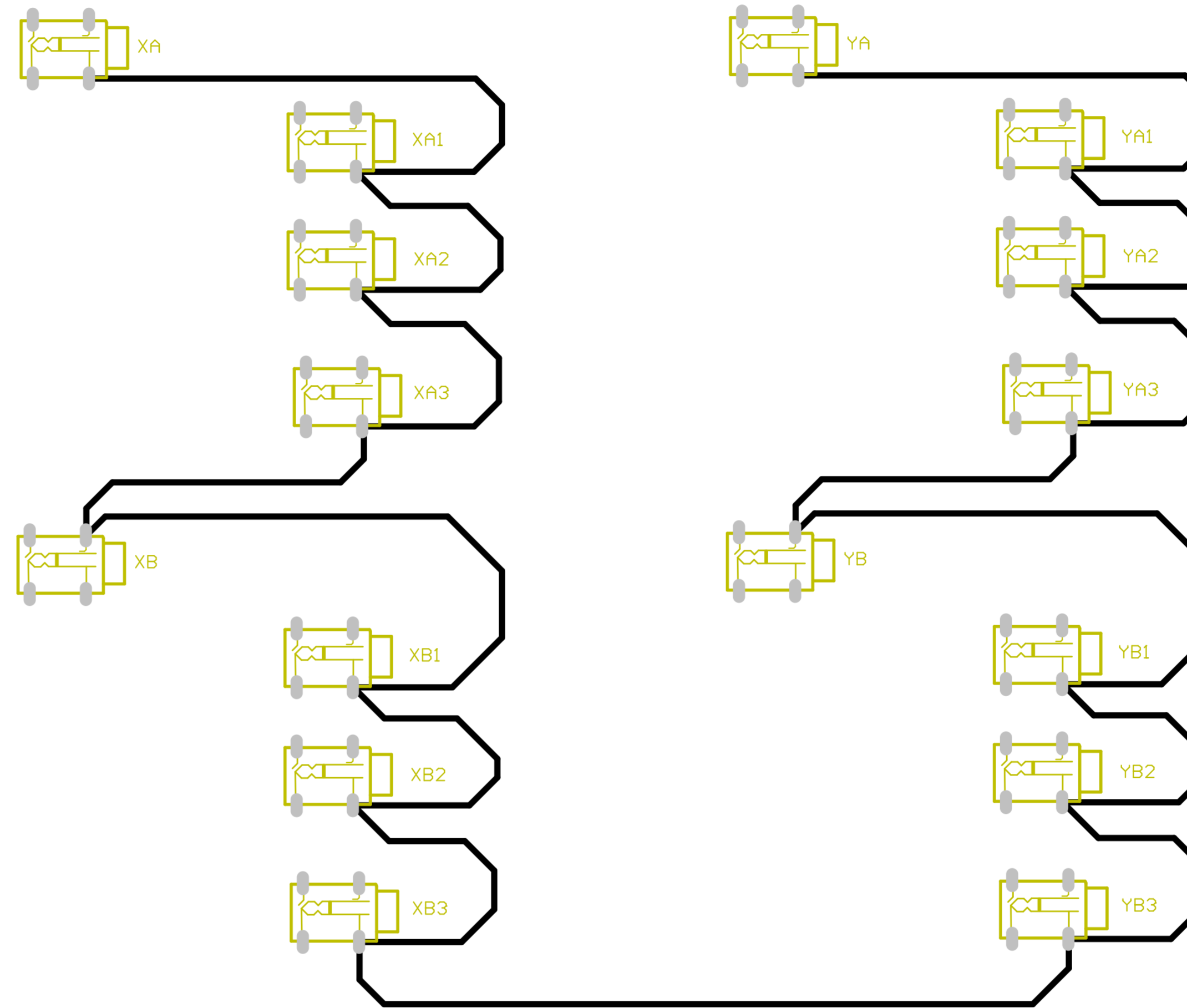
9 Follan Close
Kariang
NSW 2250
Australia

ASM2-Wizard

Splitter Module

Size A4	FCSM No. 6/10/2006	DWG No. splitter.schdoc	Rev 1
Scale	Laurie Bidulph		Sheet 17 of 18

660mm x Violet
500mm x Black



Elby Designs
Kariong, NSW 2250
Australia
www.elby-designs.com

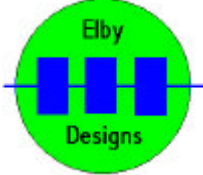
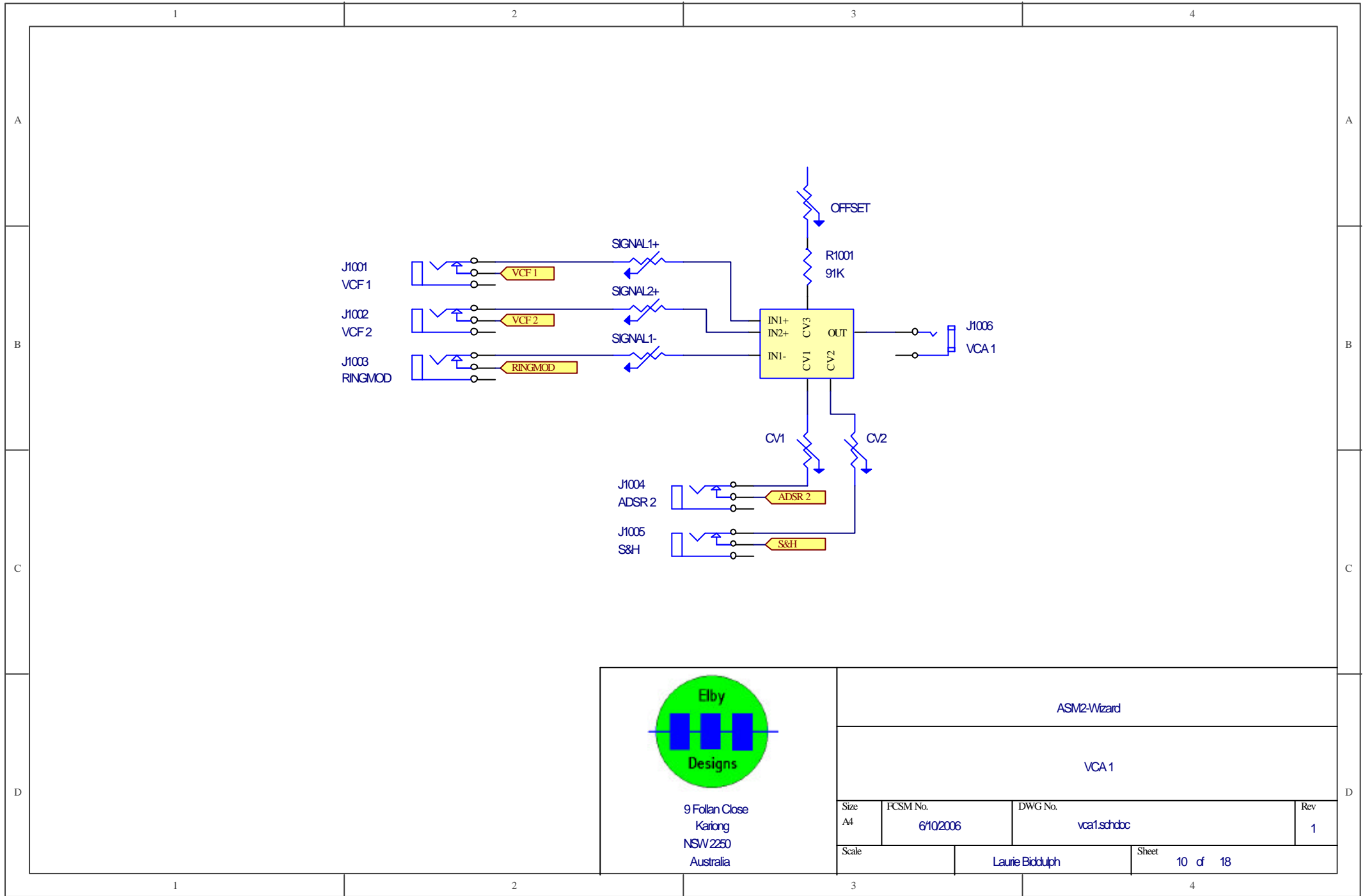
ASM2-Wizard
Splitter Module
Wiring Details

All dimensions in millimeters
unless stated otherwise.

(A4) Not to scale

Rev: 1

Date: 21/02/07

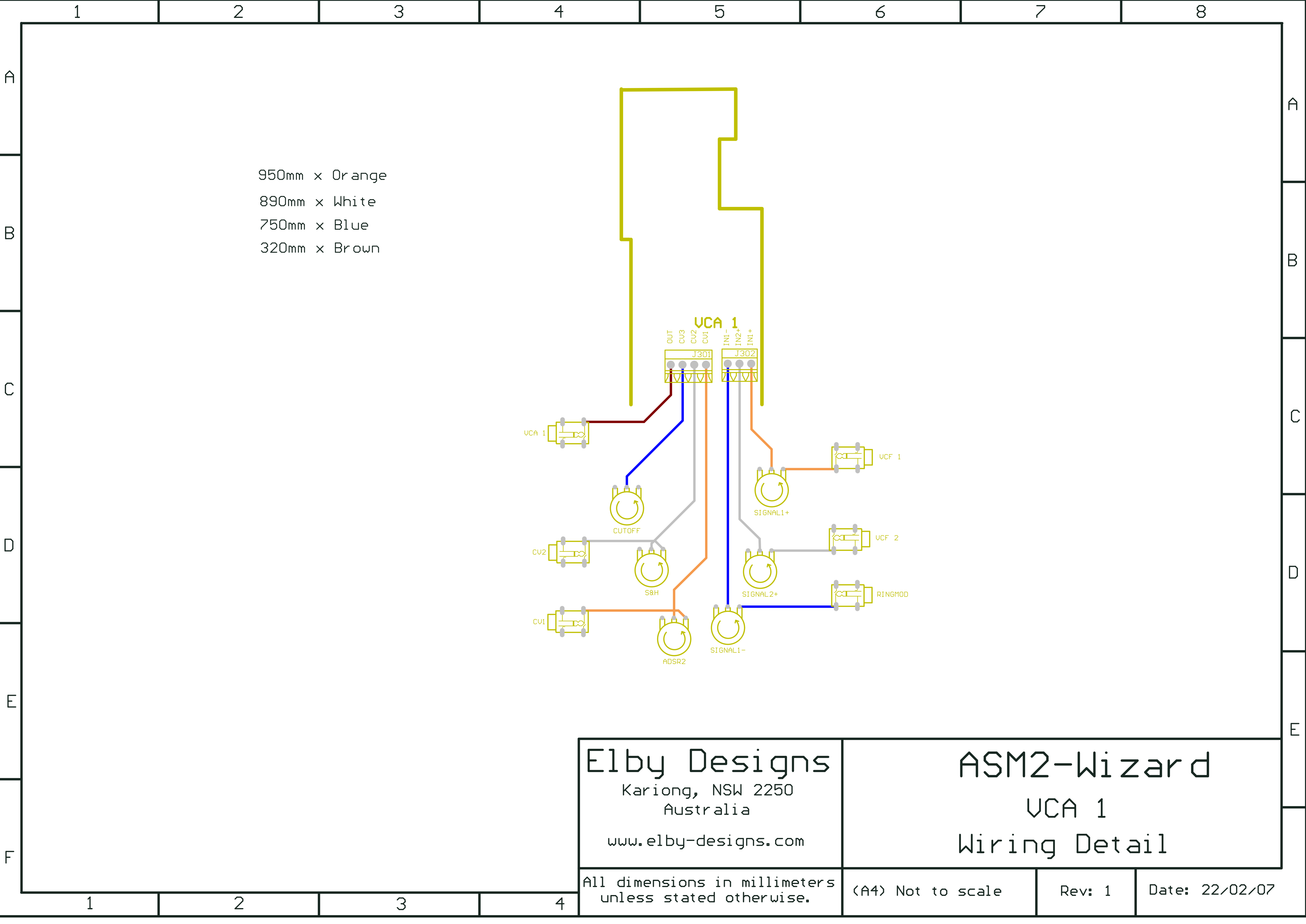


9 Follan Close
Kariang
NSW 2250
Australia

ASM2-Wizard

VCA 1

Size A4	FCSM No. 6/10/2006	DWG No. vca1.schdoc	Rev 1
Scale	Laurie Bidulph		Sheet 10 of 18



Elby Designs
 Kariong, NSW 2250
 Australia
 www.elby-designs.com

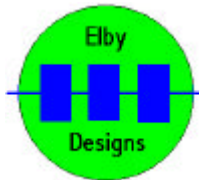
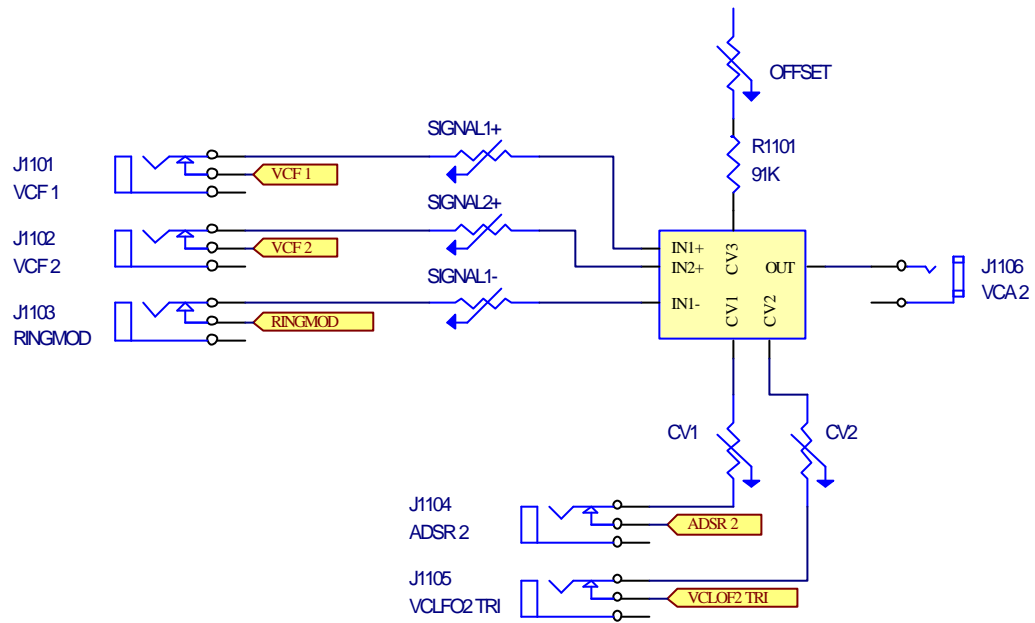
ASM2-Wizard
 VCA 1
 Wiring Detail

All dimensions in millimeters
 unless stated otherwise.

(A4) Not to scale

Rev: 1

Date: 22/02/07



9 Follan Close
Kariang
NSW 2250
Australia

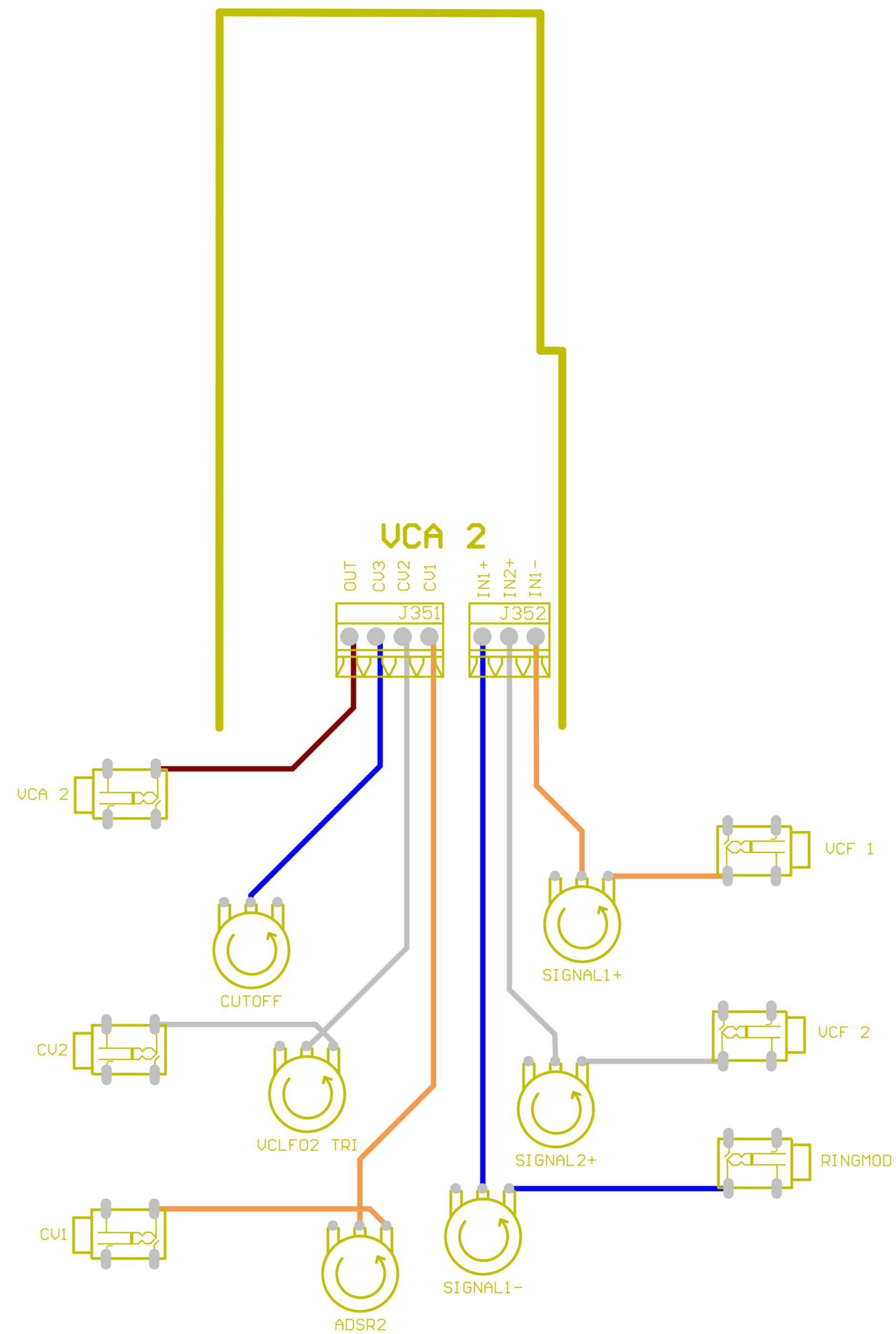
ASM2-Wizard

VCA 2

Size A4	FCSM No. 6102006	DWG No. vca2sch02c	Rev 1
Scale	Laurie Bidulph		Sheet 11 of 18

Panel components viewed from solder side

- 970mm x Orange
- 910mm x White
- 770mm x Blue
- 320mm x Brown



Elby Designs
 Kariong, NSW 2250
 Australia
www.elby-designs.com

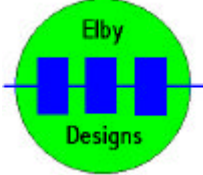
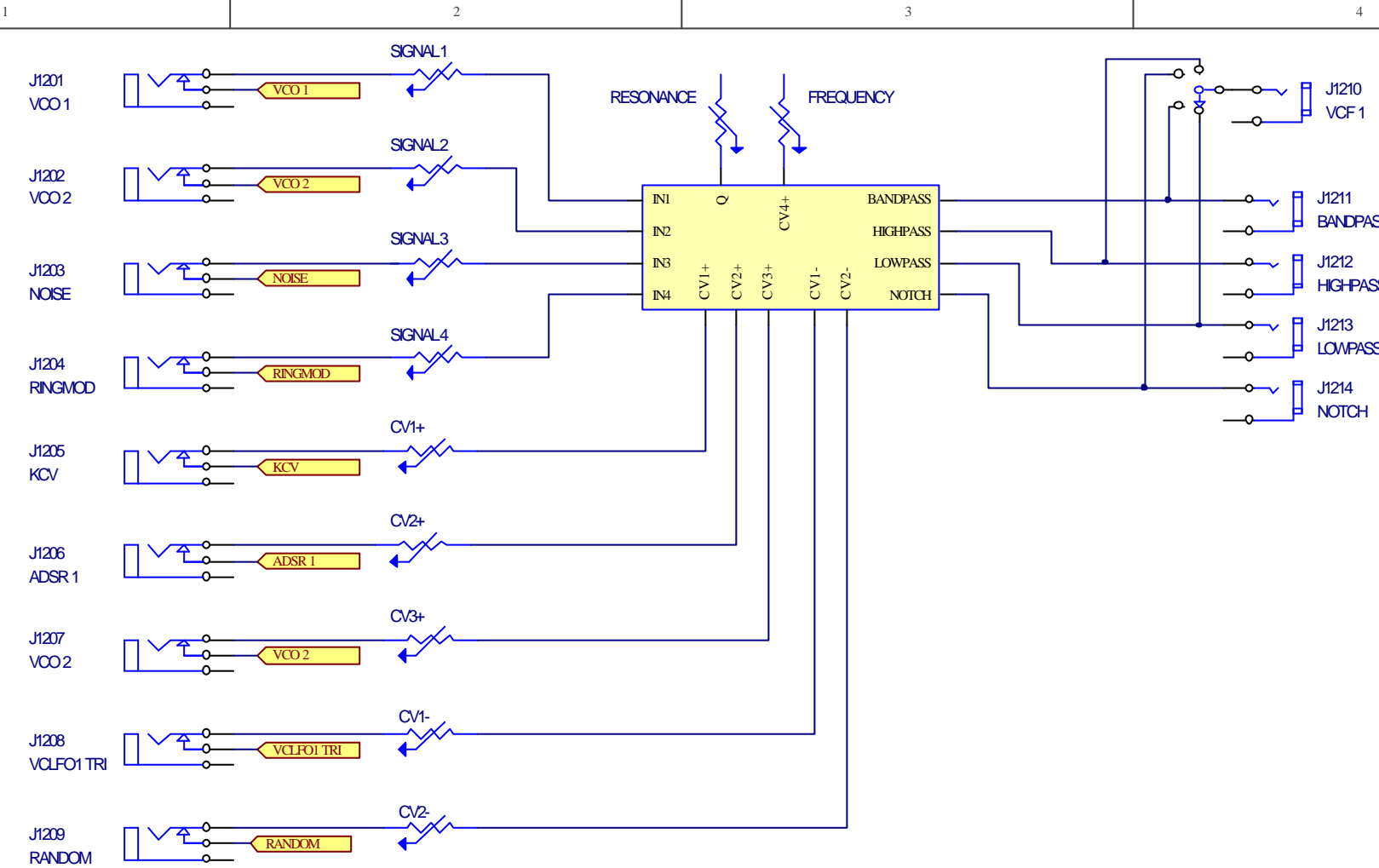
ASM2-Wizard
 UCA 2
 Wiring Details

All dimensions in millimeters
 unless stated otherwise.

(A4) Not to scale

Rev: 1

Date: 22/02/07



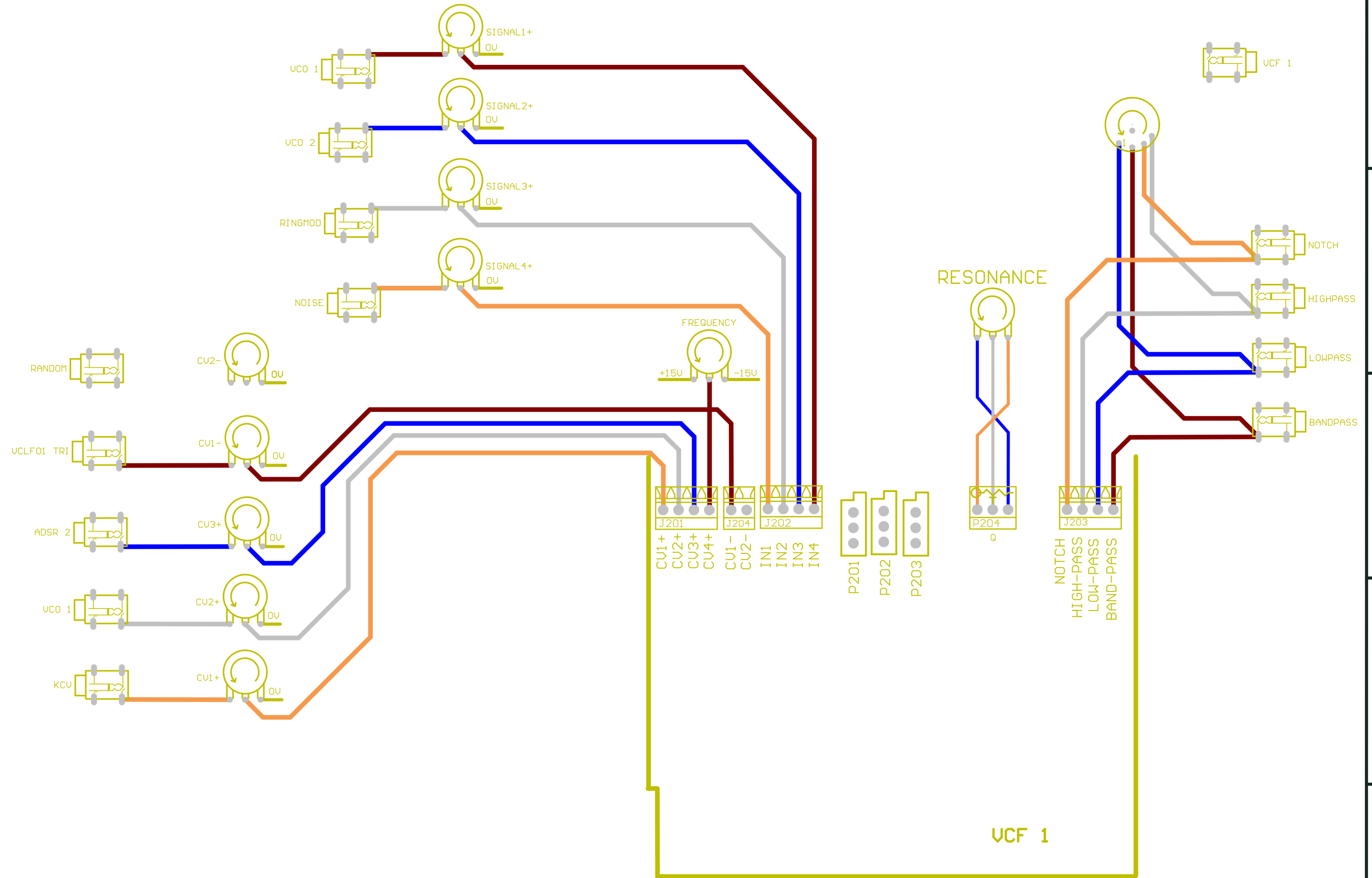
9 Follan Close
Kariang
NSW 2250
Australia

ASM2-Wizard

VCF 1

Size A4	FCSM No. 6/10/2006	DWG No. vcf1.schdoc	Rev 1
Scale	Laurie Biddulph		Sheet 12 of 18

Panel components viewed from solder side



Elby Designs
 Kariong, NSW 2250
 Australia
 www.elby-designs.com

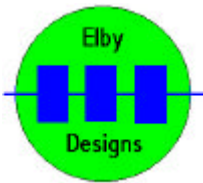
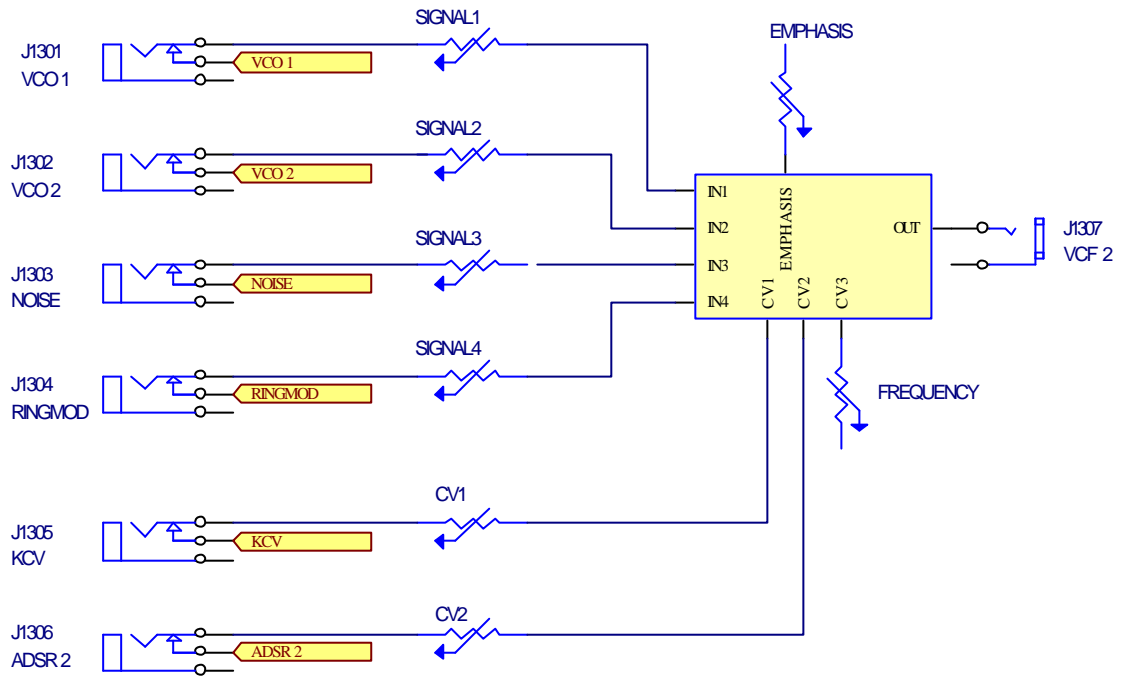
Title: ASM2-Wizard
 VCF 1
 Wiring Details

All dimensions in millimeters
 unless stated otherwise.

(A4) Not to scale

Rev: 1b

Date: 04/05/08

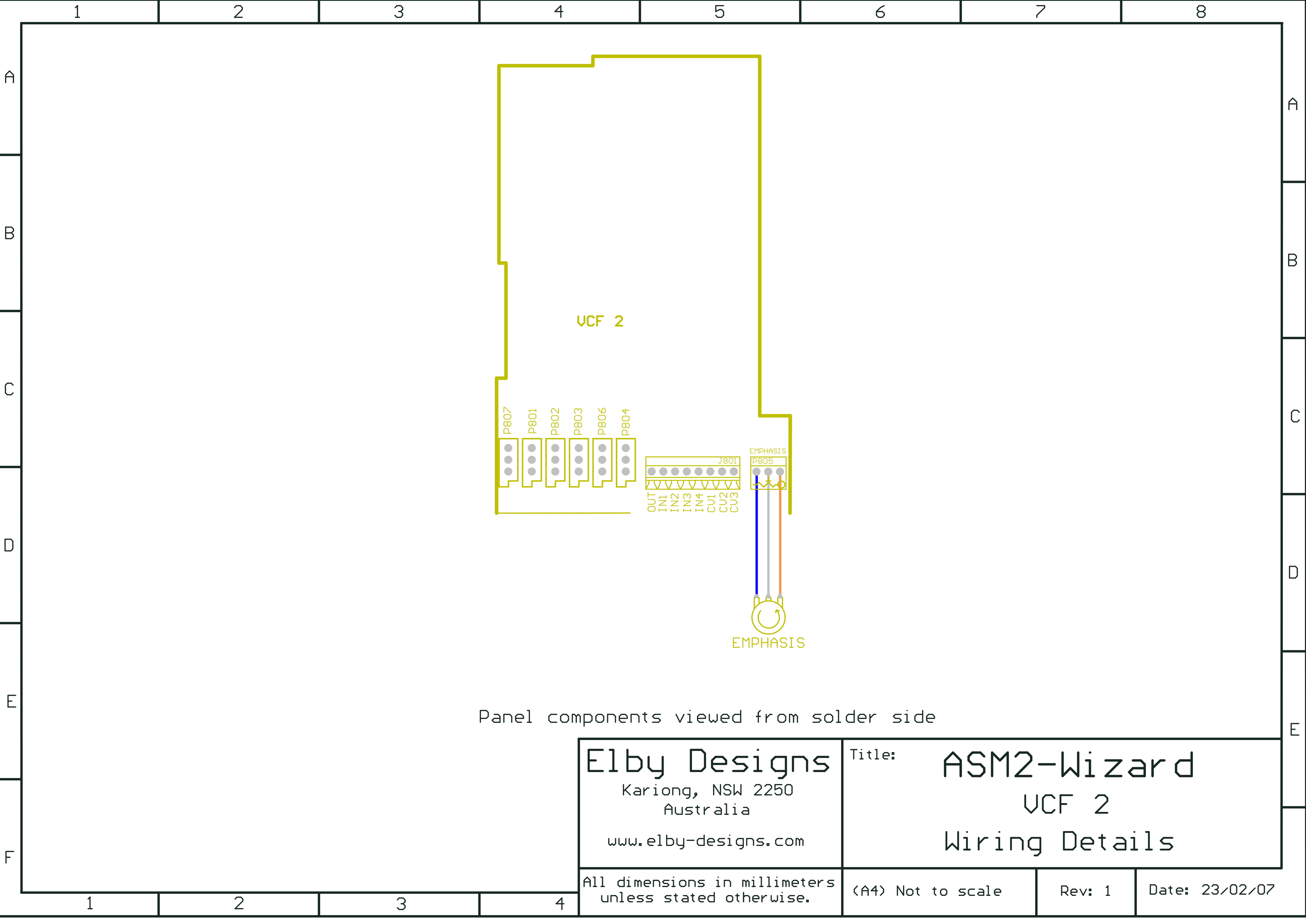


9 Follan Close
 Kariang
 NSW 2250
 Australia

ASM2-Wizard

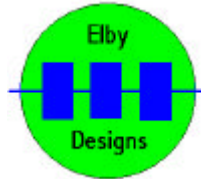
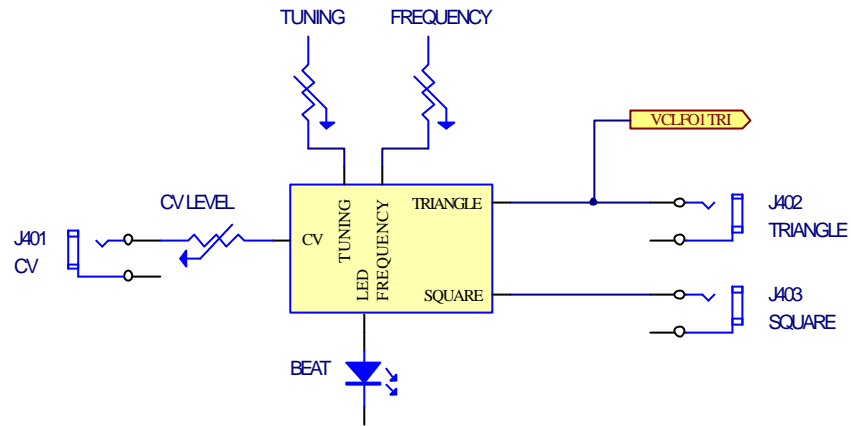
VCF 2

Size A4	FCSM No. 6102006	DWG No. vof2schdoc	Rev 1
Scale	Laurie Bidulph		Sheet 13 of 18



Panel components viewed from solder side

<p>Elby Designs Kariong, NSW 2250 Australia www.elby-designs.com</p>	<p>Title: ASM2-Wizard UCF 2 Wiring Details</p>		
<p>All dimensions in millimeters unless stated otherwise.</p>	<p>(A4) Not to scale</p>	<p>Rev: 1</p>	<p>Date: 23/02/07</p>



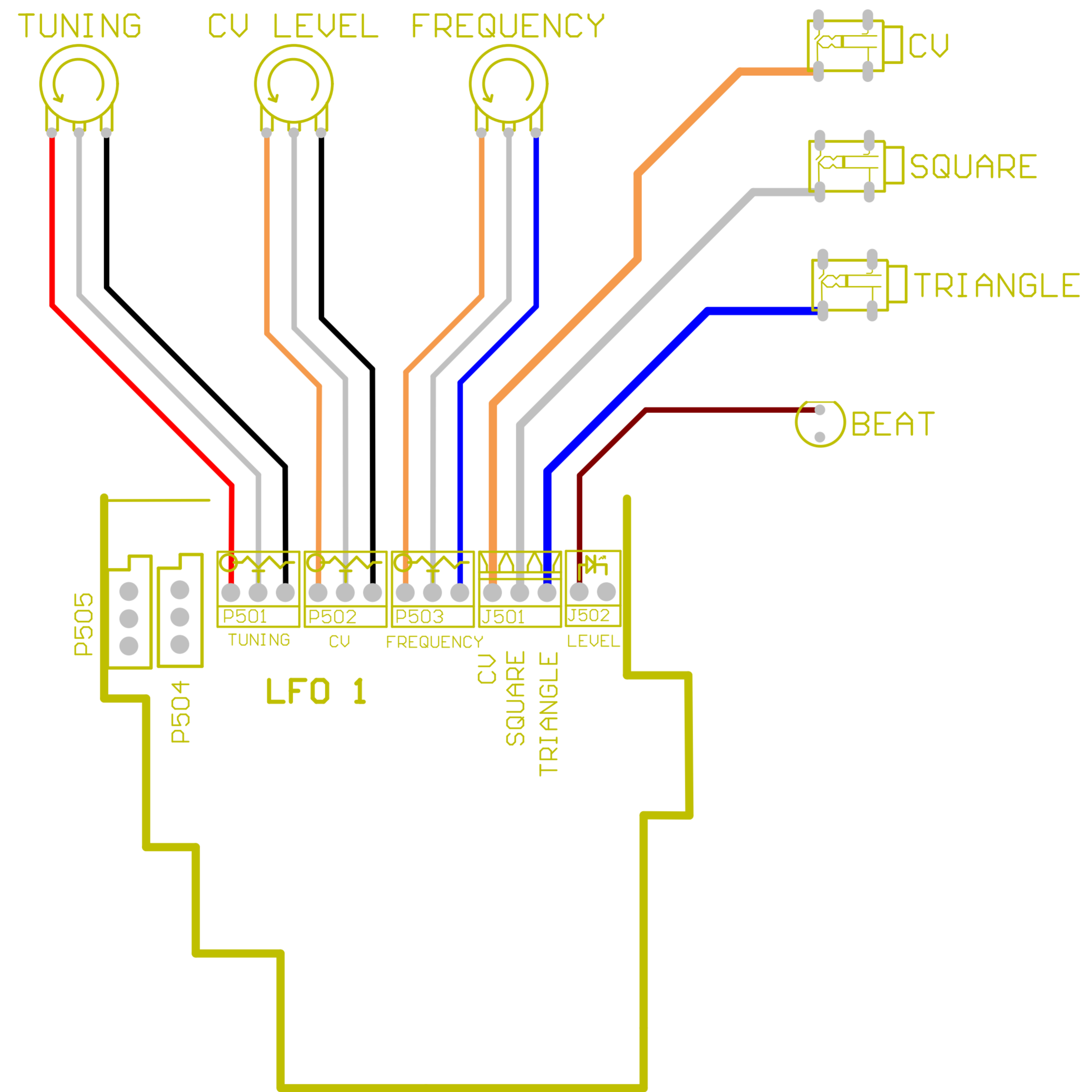
9 Folan Close
Kariang
NSW 2250
Australia

ASM2-Wizard

VCLFO1

Size A4	FCSM No. 6102006	DWG No. vclfo1.schdoc	Rev 1
Scale	Laurie Bidulph		Sheet 4 of 18

Panel components viewed from solder side



Elby Designs
 Kariong, NSW 2250
 Australia
 www.elby-designs.com

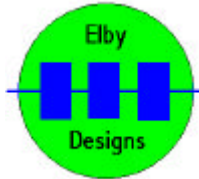
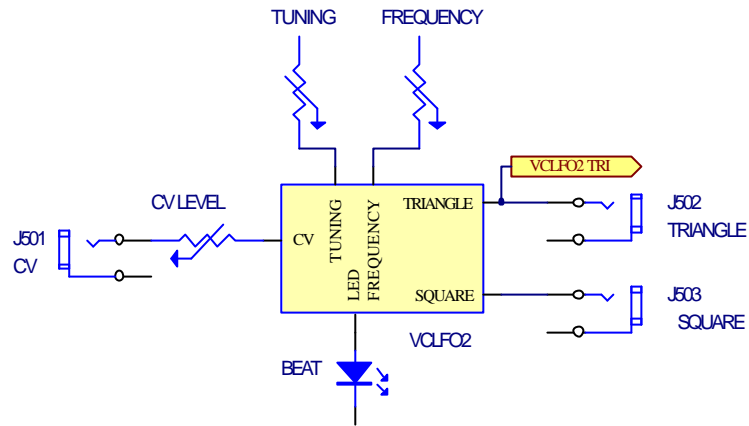
Title: ASM2-Wizard
 VCLFO 1
 Wiring Details

All dimensions in millimeters
 unless stated otherwise.

(A4) Not to scale

Rev: 1

Date: 23/02/07



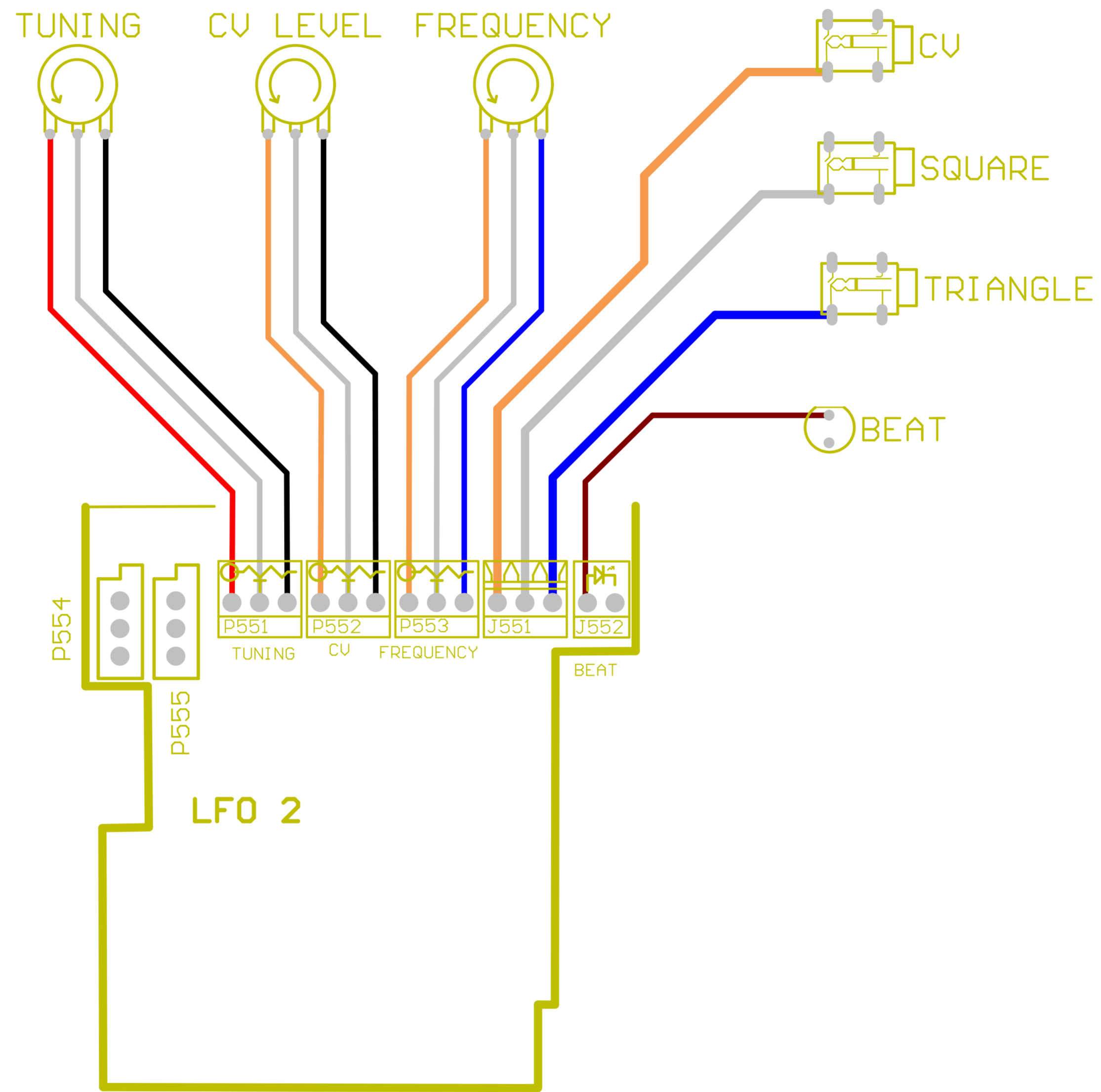
9 Folan Close
Kariang
NSW 2250
Australia

ASM2-Wizard

VCLFO2

Size A4	FCSM No. 6102006	DWG No. vclfo2.schdoc	Rev 1
Scale	Laurie Bidulph		Sheet 5 of 18

Panel components viewed from the rear



Elby Designs
 Kariong, NSW 2250
 Australia
www.elby-designs.com

Title: ASM2-Wizard
 VCLFO 2
 Wiring Details

All dimensions in millimeters
 unless stated otherwise.

(A4) Not to scale

Rev: 1

Date: 23/02/07

A

B

C

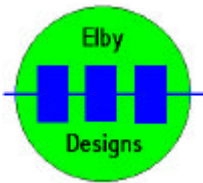
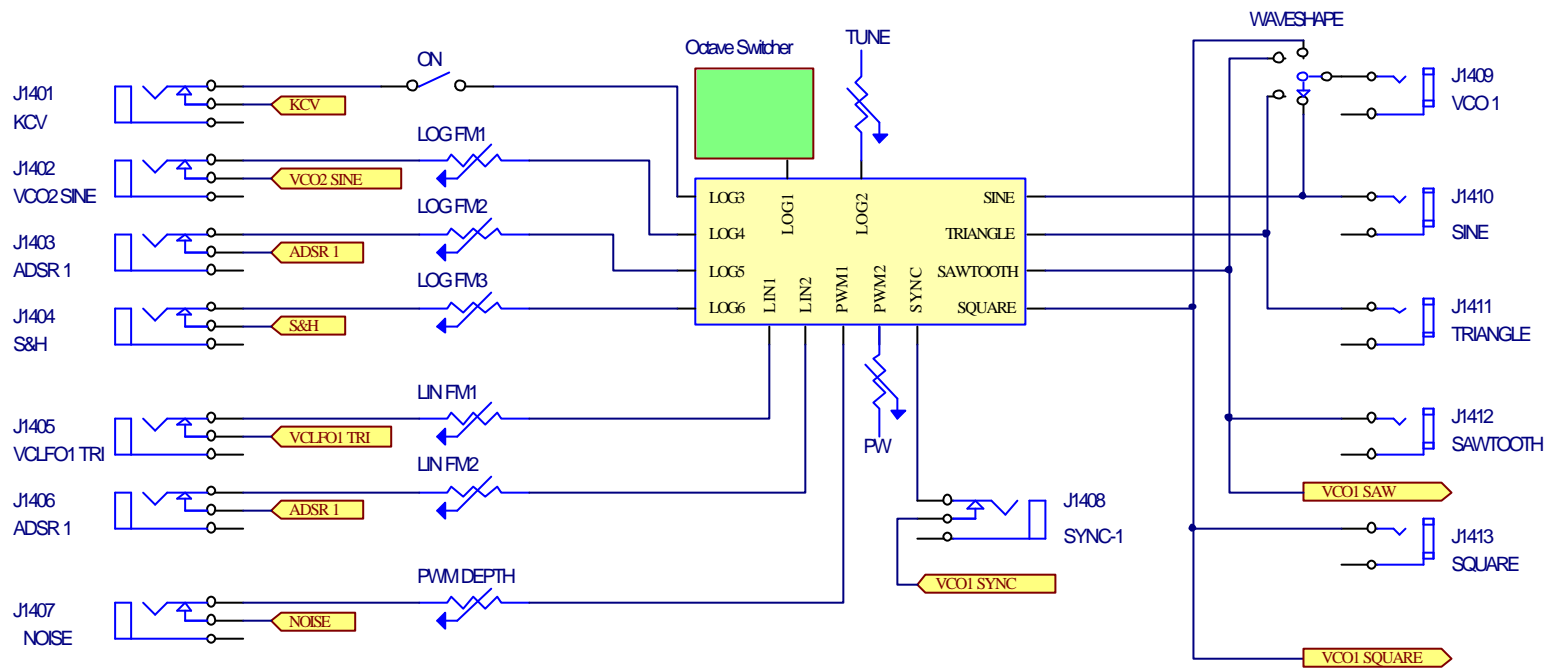
D

A

B

C

D

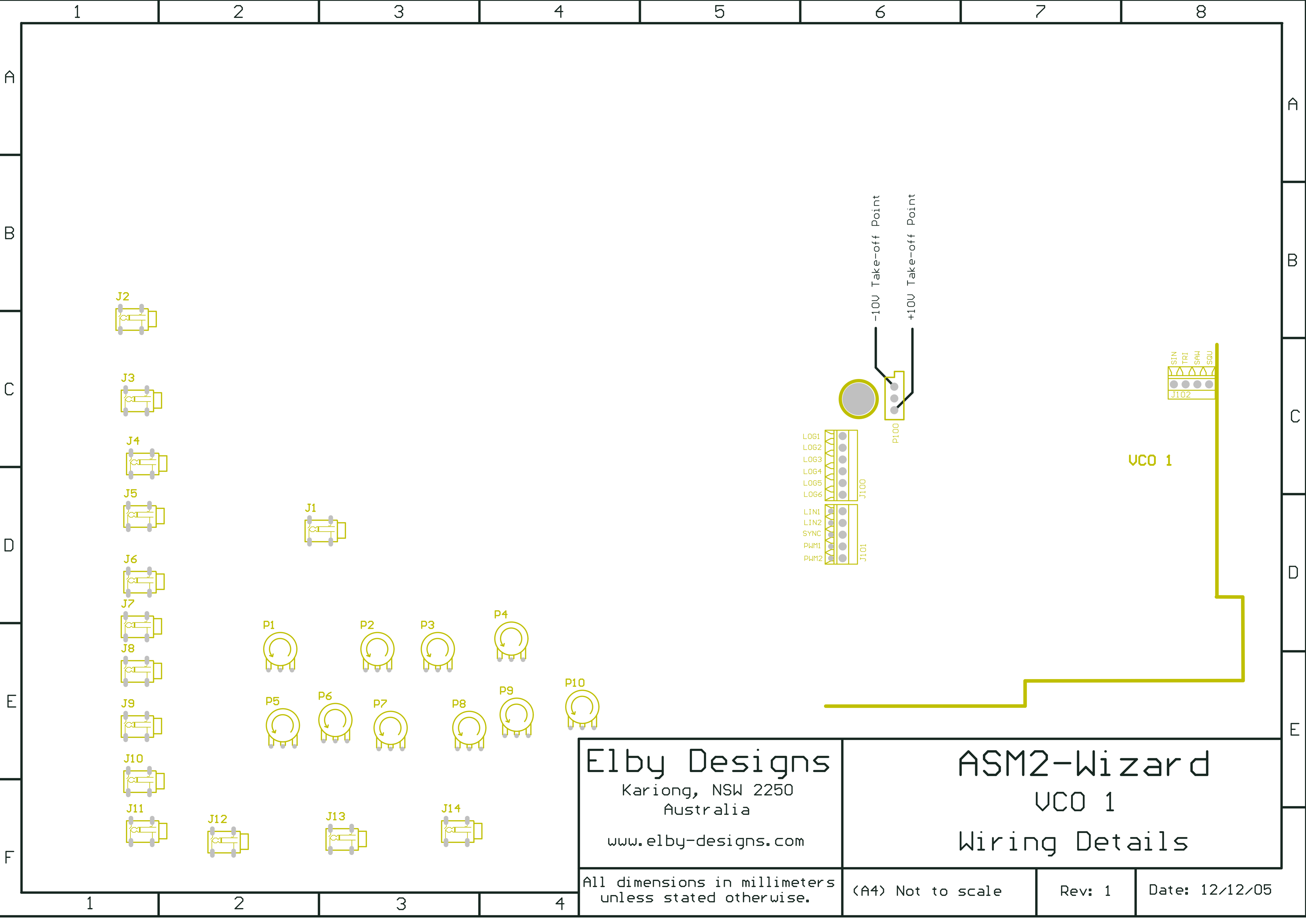


9 Follan Close
Kariang
NSW 2250
Australia

ASM2-Wizard

VCO 1

Size A4	FCSM No. 6/10/2006	DWG No. vco1.schdoc	Rev 1
Scale	Laurie Bidulph		Sheet 14 of 18



Elby Designs
 Kariong, NSW 2250
 Australia
www.elby-designs.com

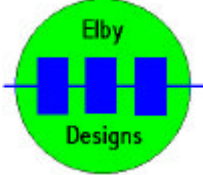
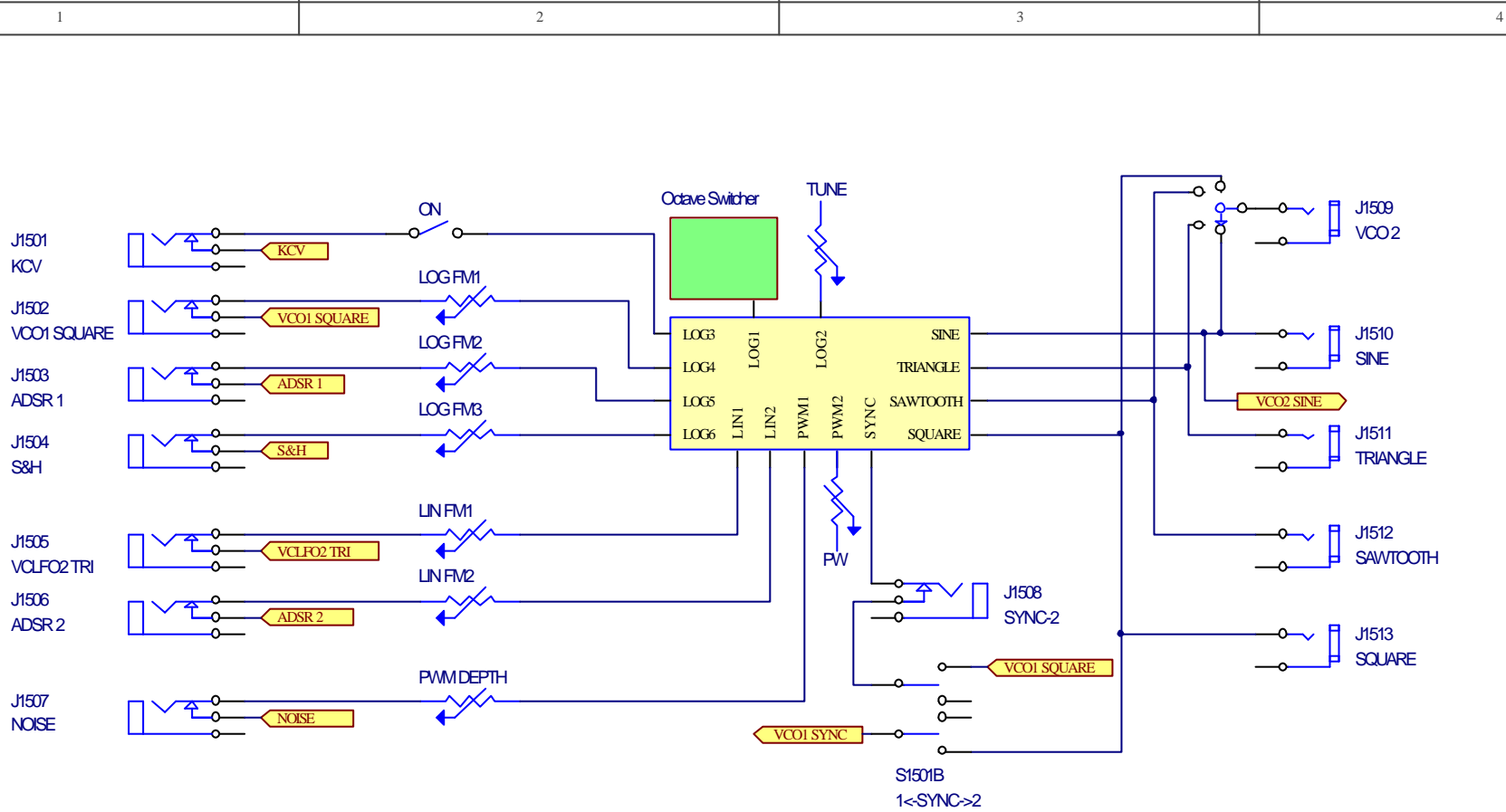
ASM2-Wizard
 VCO 1
 Wiring Details

All dimensions in millimeters
 unless stated otherwise.

(A4) Not to scale

Rev: 1

Date: 12/12/05



9 Folan Close
Karing
NSW 2250
Australia

ASM2-Wizard

VCO2

Size A4	FCSM No. 6/10/2006	DWG No. vco2schdbc	Rev 1
Scale	Laurie Bidolph		Sheet 15 of 18

1

2

3

4

5

6

7

8

A

A

B

B

C

C

D

D

E

E

F

1

2

3

4

Elby Designs
 Kariong, NSW 2250
 Australia
www.elby-designs.com

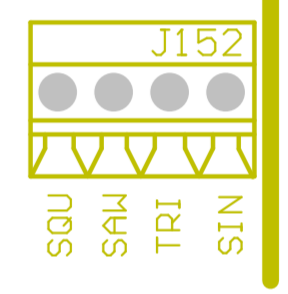
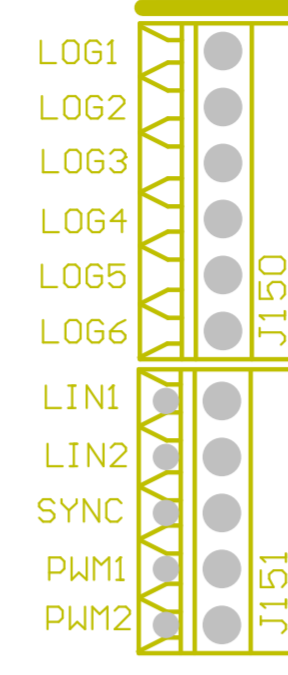
ASM2-Wizard
 VCO 2
 Wiring Details

All dimensions in millimeters
 unless stated otherwise.

(A4) Not to scale

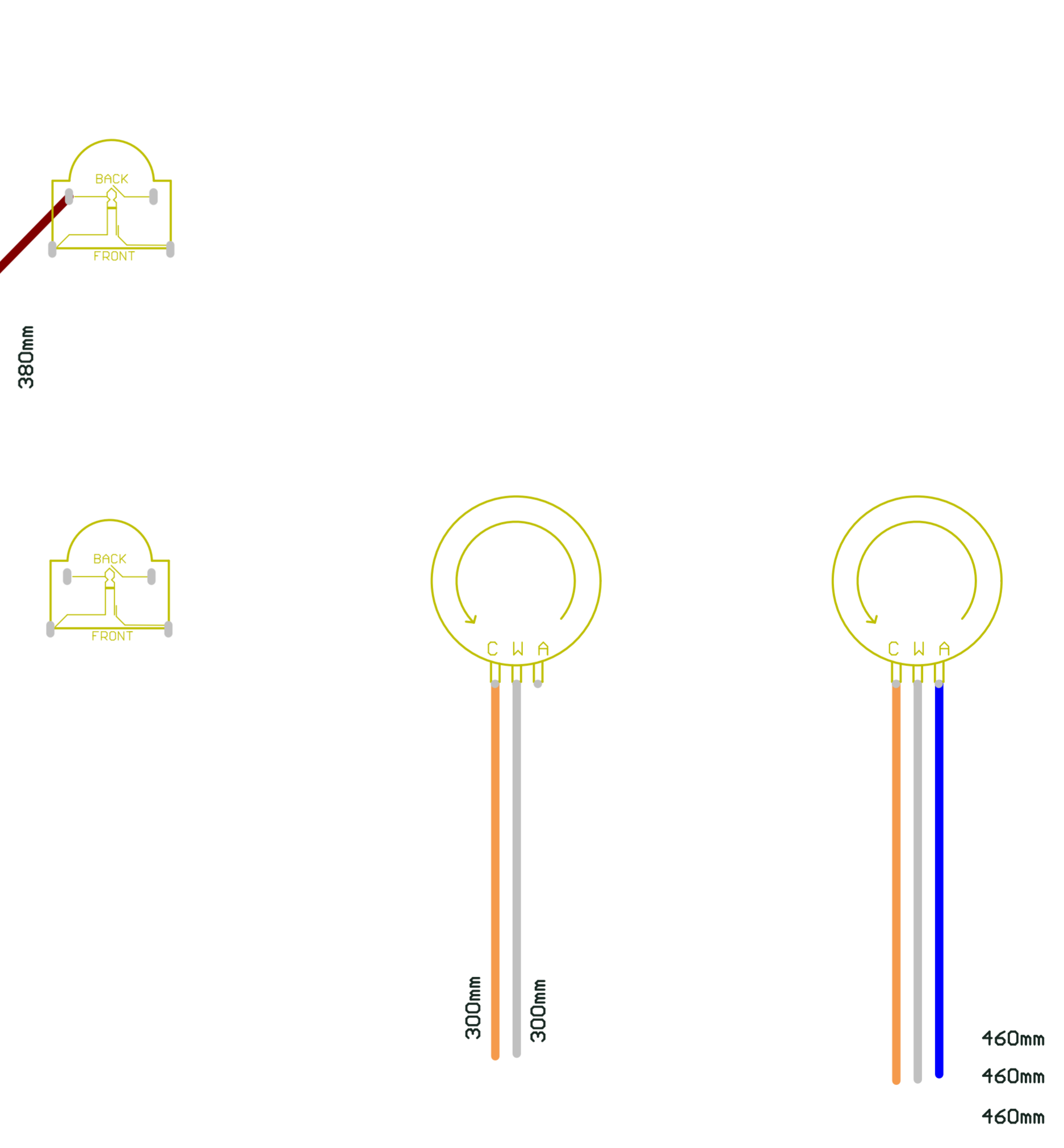
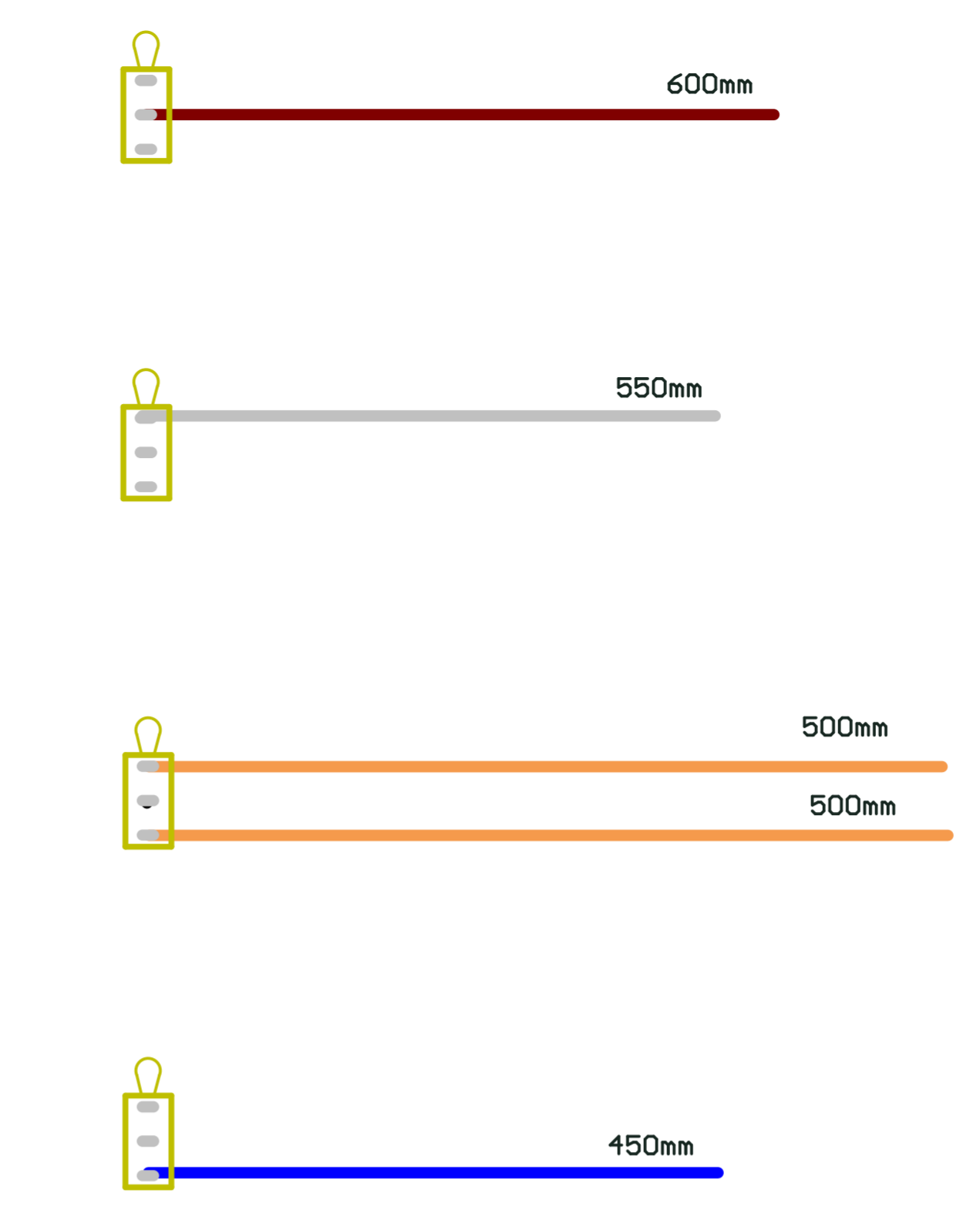
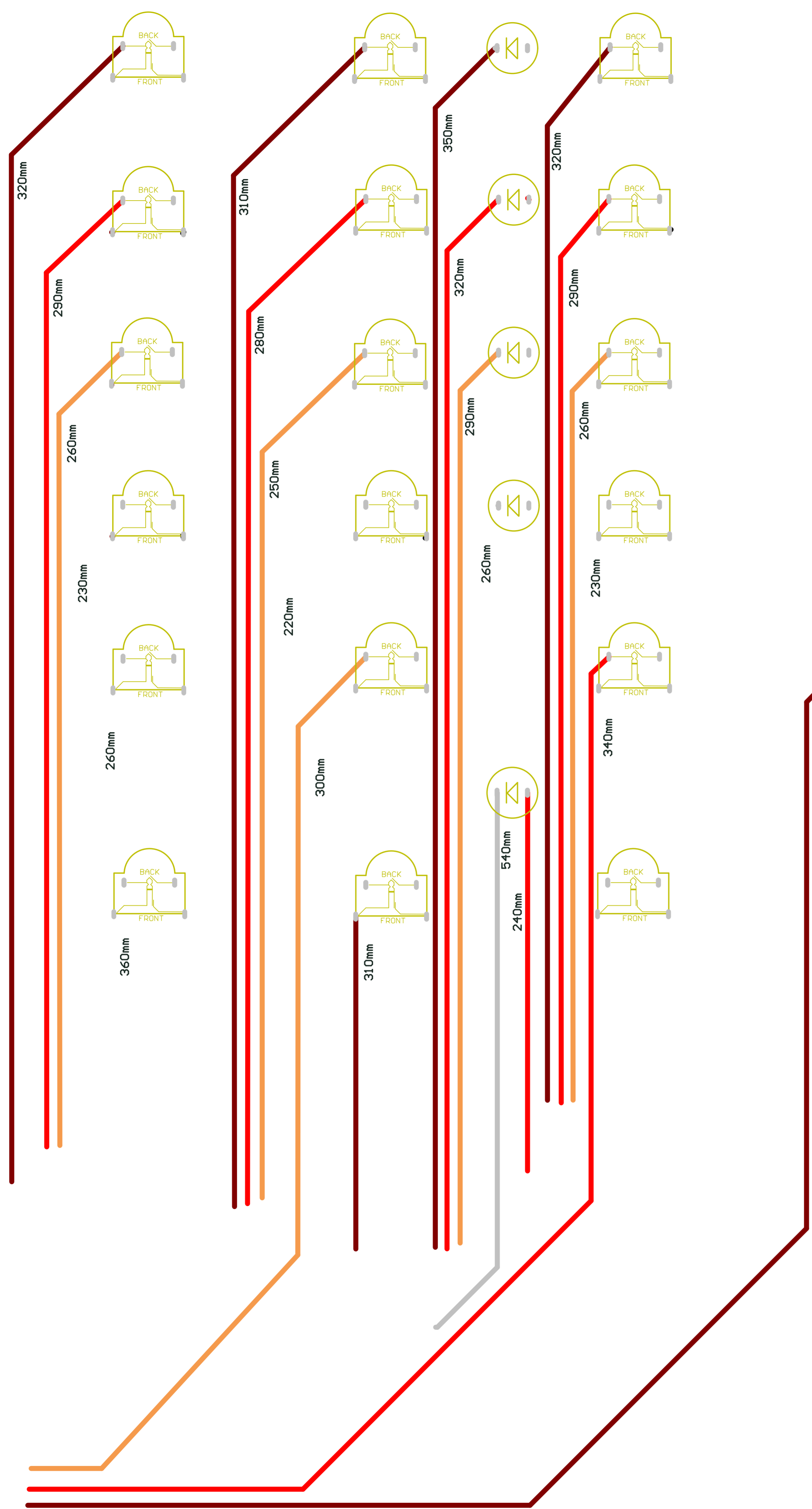
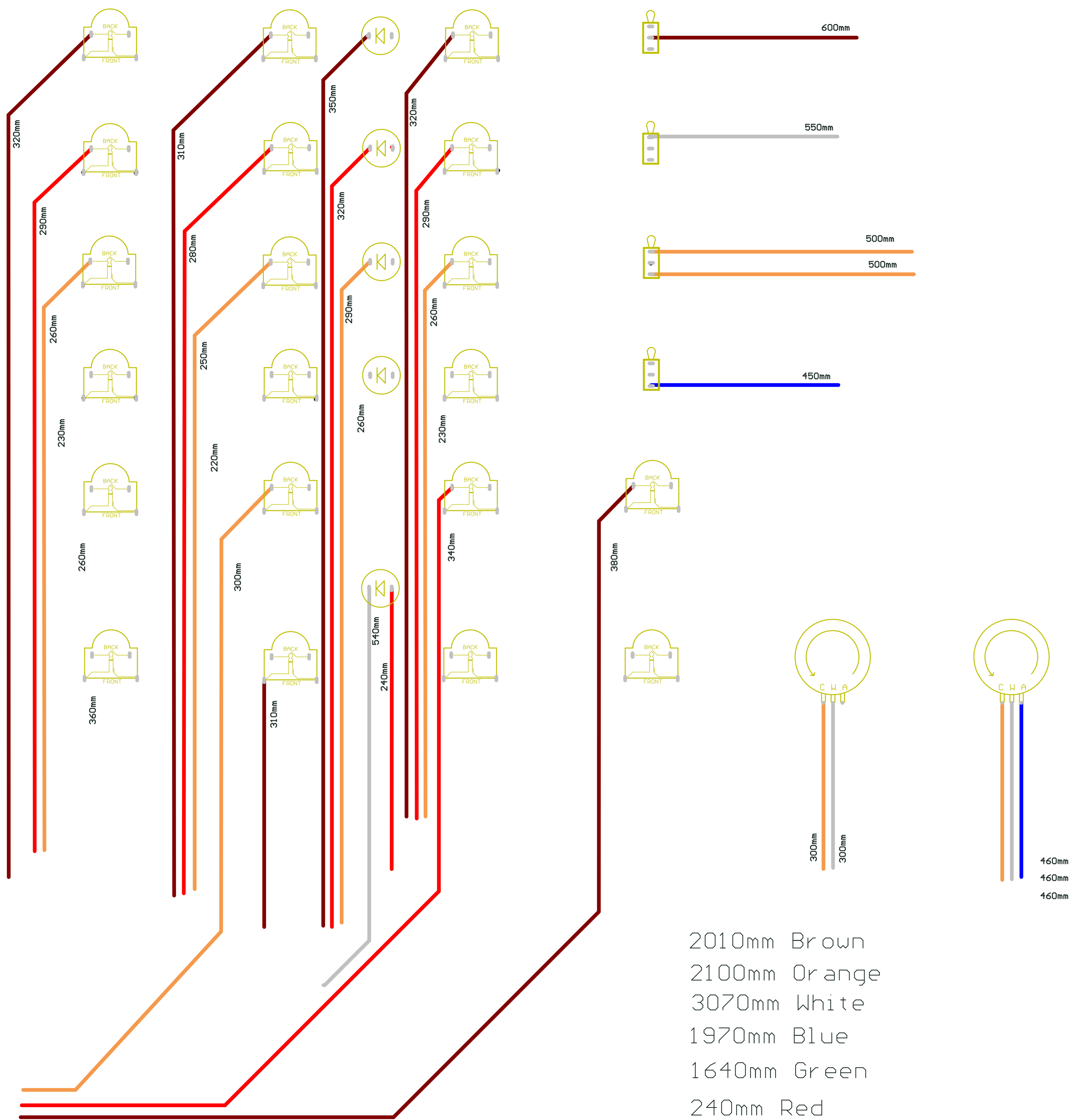
Rev: 1

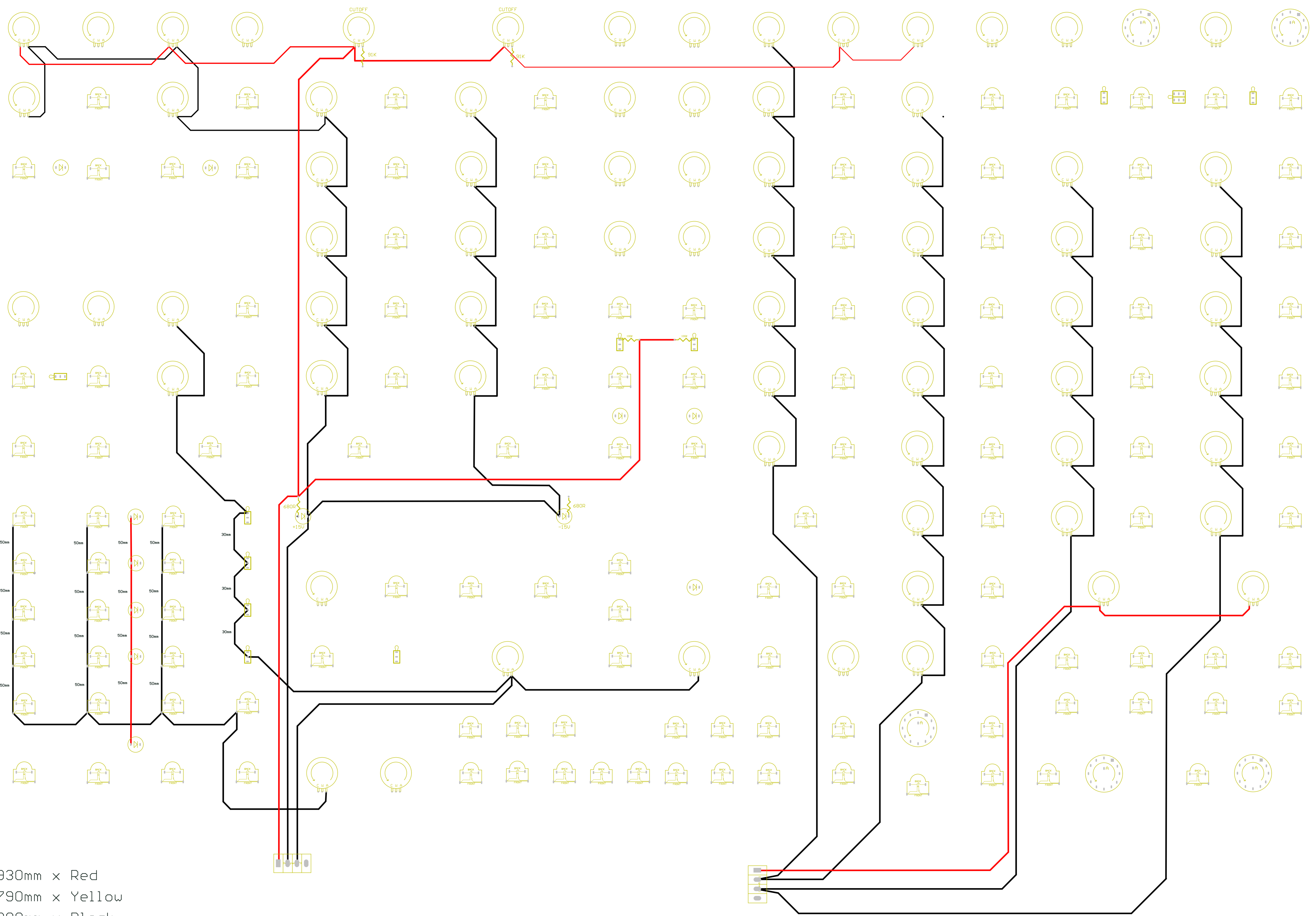
Date: 23/02/07



VCO 2







1930mm × Red
 1790mm × Yellow
 8000mm × Black

