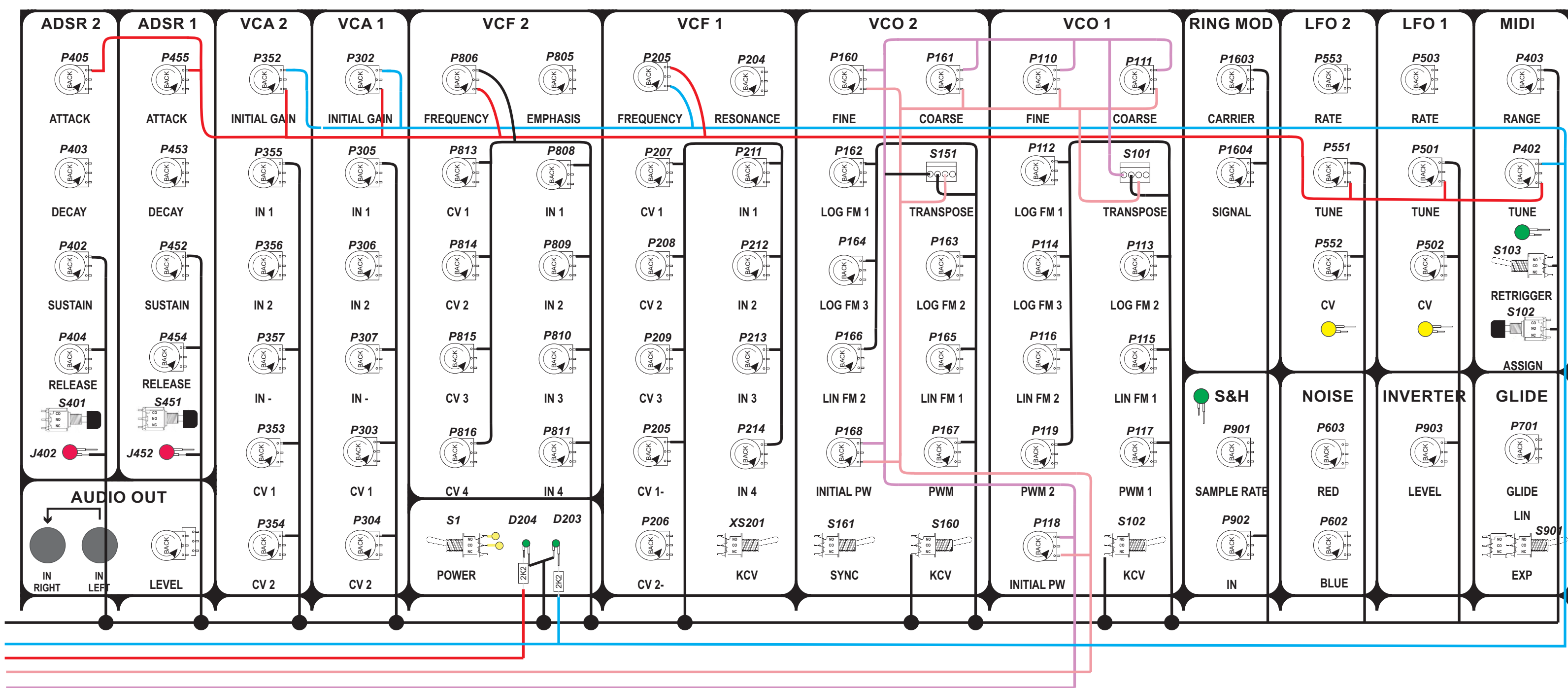
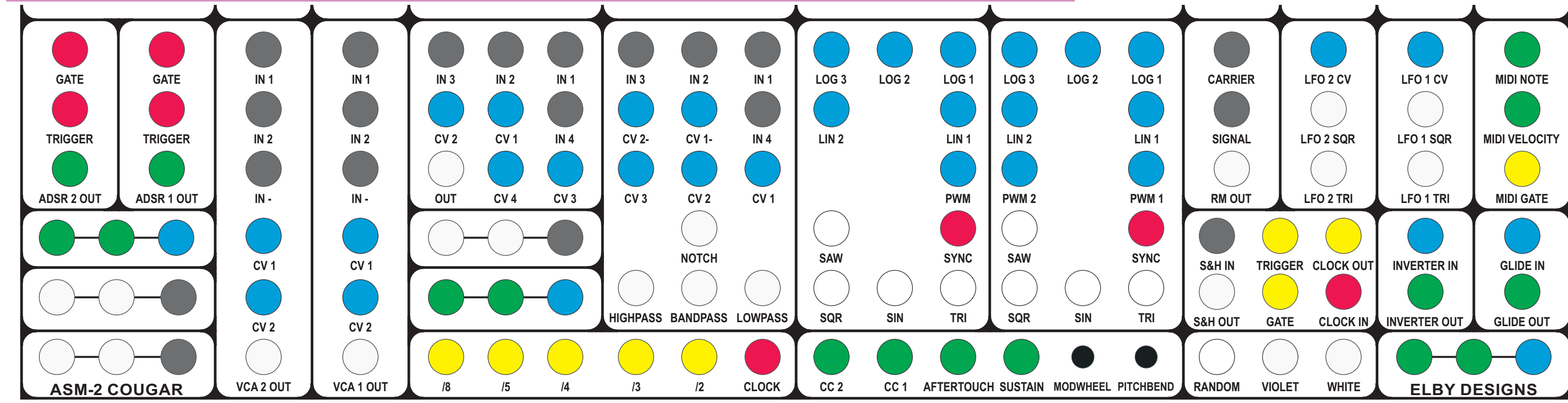


ASM2-Cougar - Power Wiring

Revision 0.5



- +12Vin
(Refer to Power Wiring Overview)
- +12V
- -12V
- 0V
- +9V
- -9V



OPTIONAL for 3.5mm Jacks

Jack Connections Nearest To Panel
Wire All In Series
And Connect To 0V