

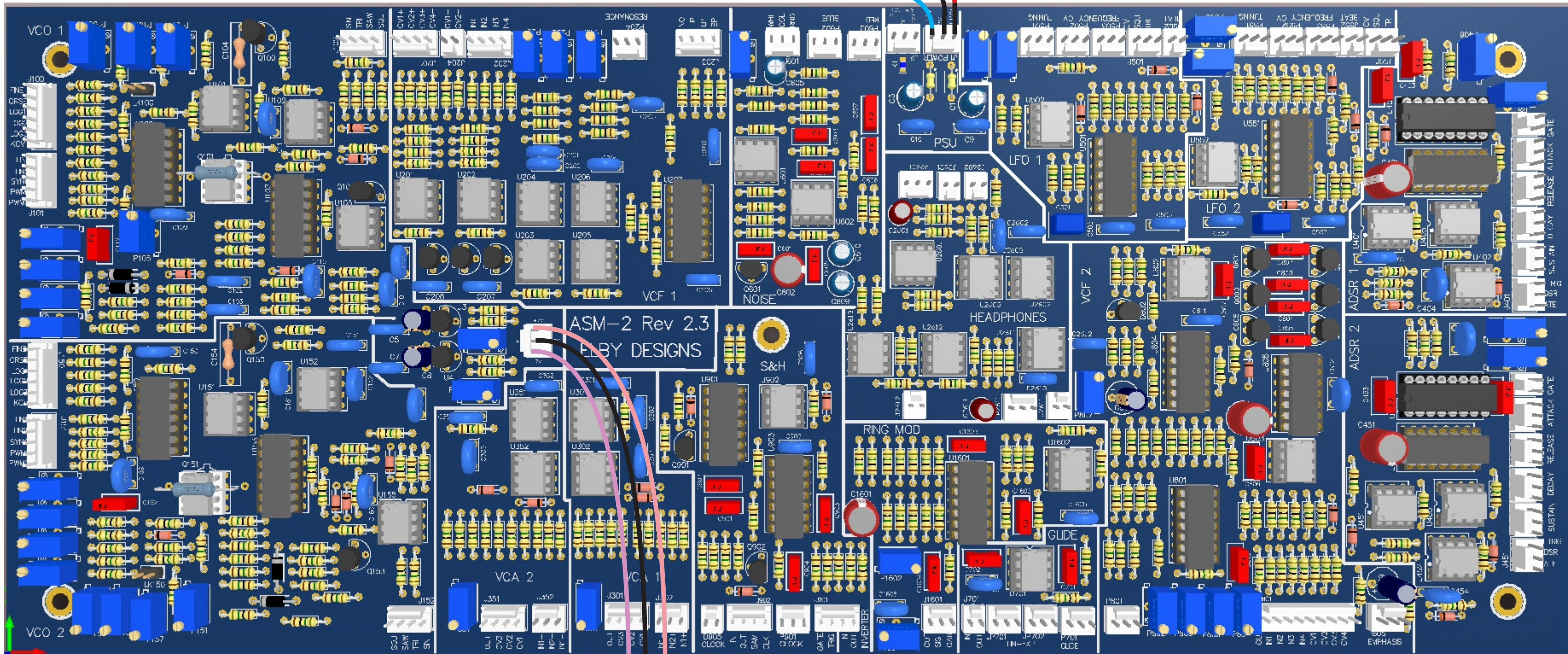
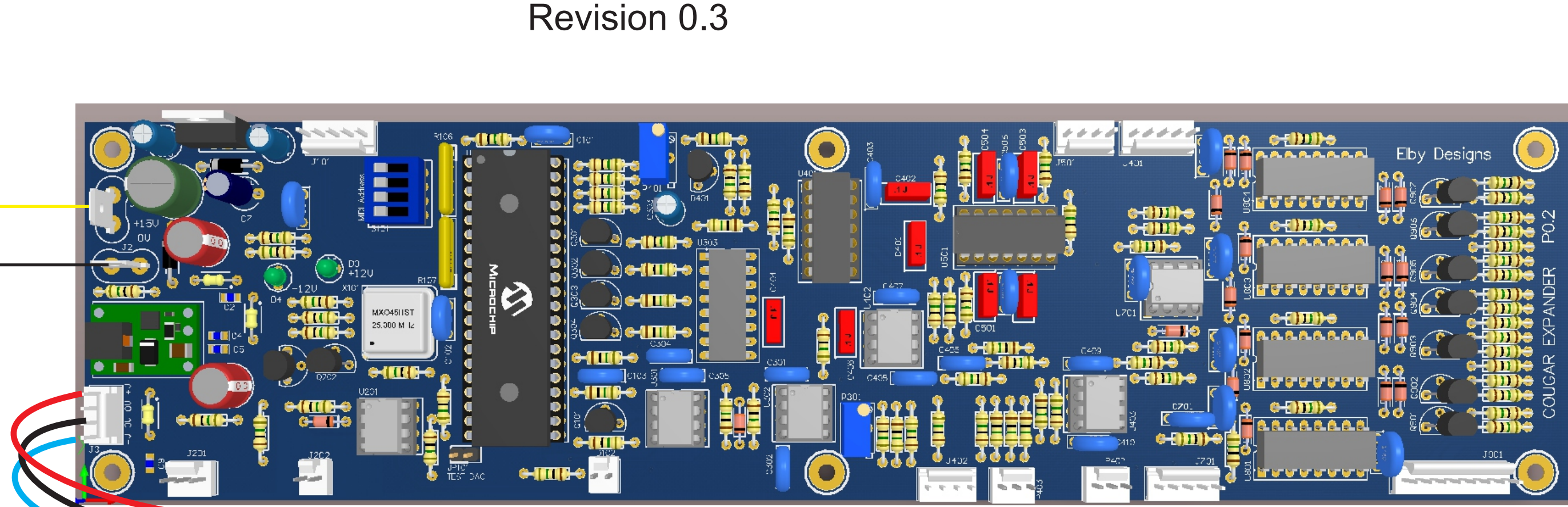
ASM2-Cougar - Power Wiring Overview

Revision 0.3

- 0V
- +12Vin

12VDC @ 2A
Tip = +ve

- +12V
- 0V
- -12V



- -9V
- 0V
- +9V

To front panel VCO components