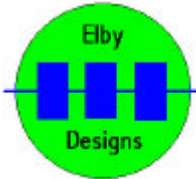
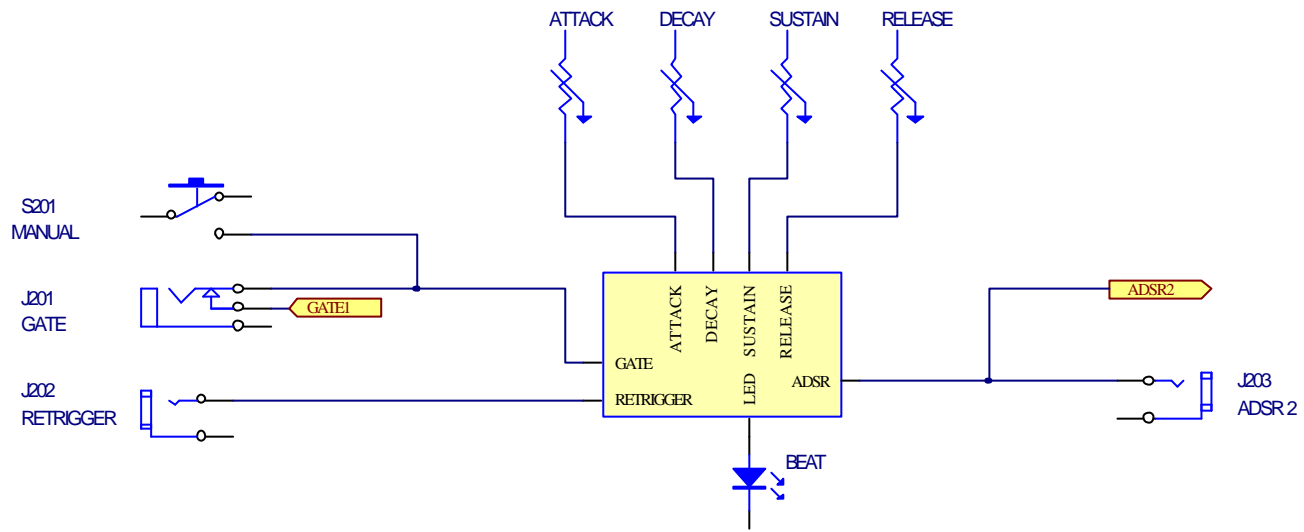


9 Folan Close  
Kariang  
NSW 2250  
Australia

ASM2-Wizard

ADSR 1

Size A4	FCSM No. 6/10/2006	DWG No. adsr1.schdoc	Rev 1
Scale	Laurie Bidulph		Sheet 1 of 18

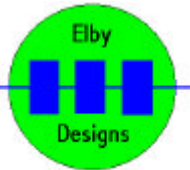
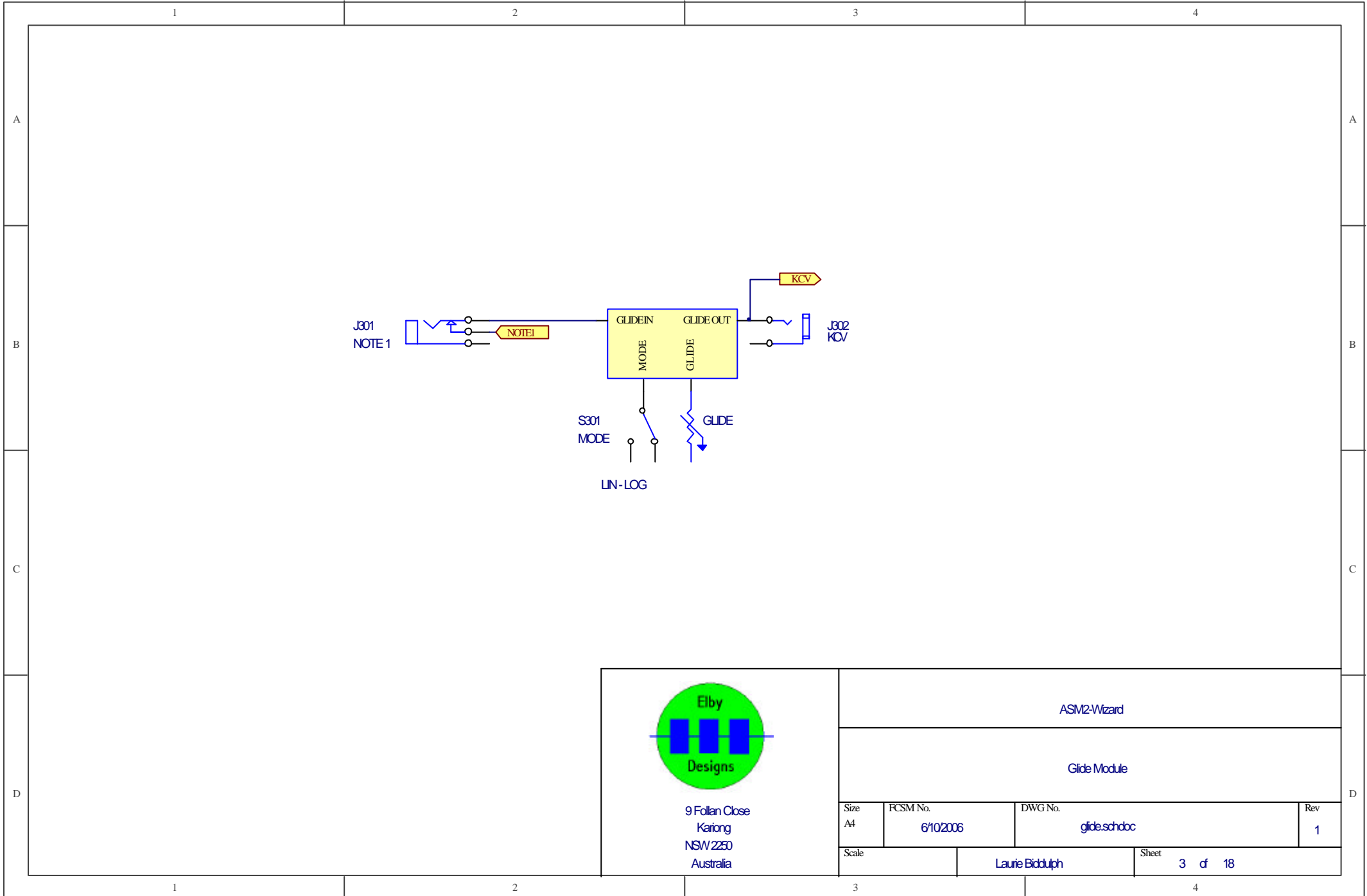


9 Folan Close  
Kariang  
NSW 2250  
Australia

ASM2-Wizard

ADSR 2

Size A4	FCSM No. 6102006	DWG No. adsr2schdoc	Rev 1
Scale	Laurie Bidolph		Sheet 2 of 18

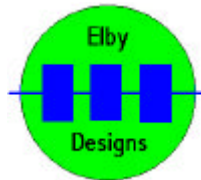
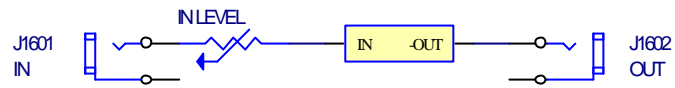


9 Folan Close  
 Kariong  
 NSW 2250  
 Australia

ASM2-Wizard

Glide Module

Size A4	FCSM No. 6102006	DWG No. glide.schdoc	Rev 1
Scale	Laurie Bidulph		Sheet 3 of 18

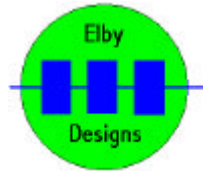
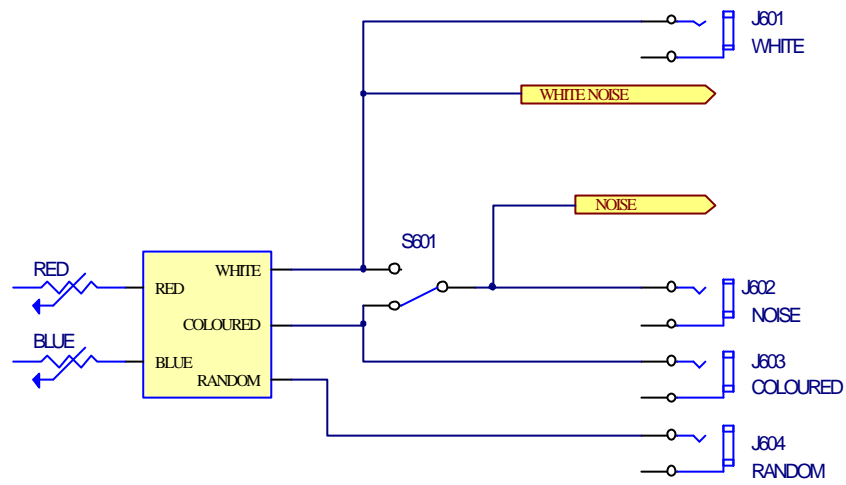


9 Folan Close  
Kariang  
NSW 2250  
Australia

ASM2-Wizard

Inverter

Size A4	FCSM No. 6/10/2006	DWG No. inverter.schdoc	Rev 1
Scale	Laurie Bidolph		Sheet 16 of 18

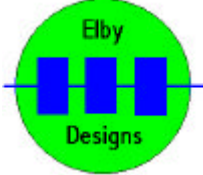
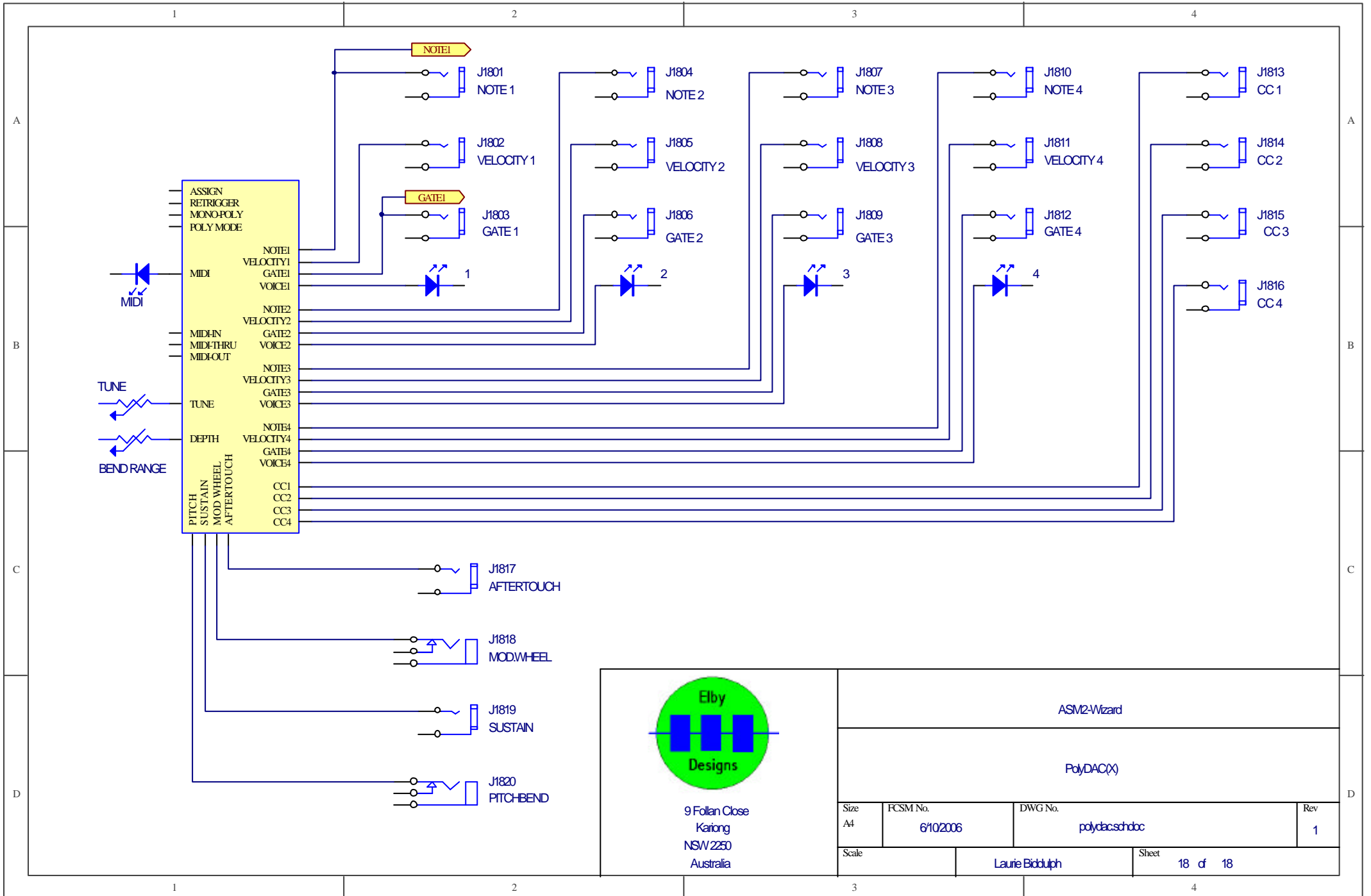


9 Follan Close  
Kariang  
NSW 2250  
Australia

ASM2-Wizard

Noise Module

Size A4	FCSM No. 6/10/2006	DWG No. noise.schdoc	Rev 1
Scale	Laurie Bidulph		Sheet 6 of 18



9 Follan Close  
Kariang  
NSW 2250  
Australia

ASM2-Wizard			
PolyDAC(X)			
Size A4	FCSM No. 6/10/2006	DWG No. polydac.schdoc	Rev 1
Scale	Laurie Bidulph		Sheet 18 of 18

1

2

3

4

A

A

B

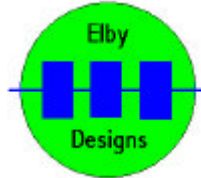
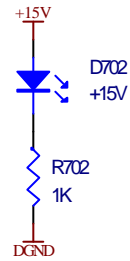
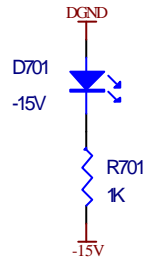
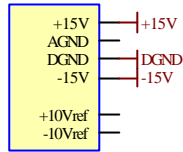
B

C

C

D

D



9 Follan Close  
 Kariong  
 NSW 2250  
 Australia

ASM2-Wizard

Power Supply

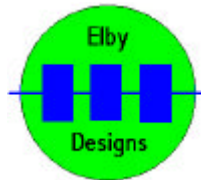
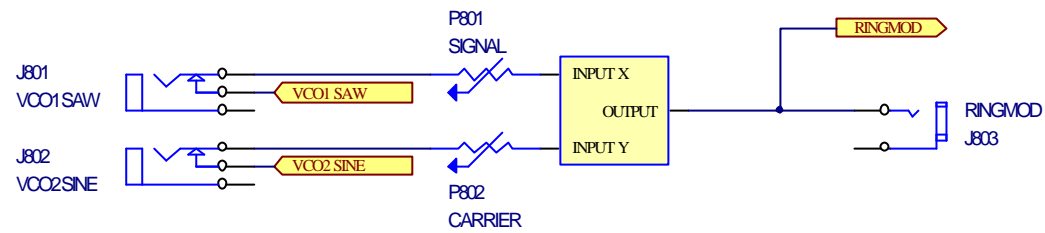
Size A4	FCSM No. 6102006	DWG No. psuschdoc	Rev 1
Scale	Laurie Bidolph		Sheet 7 of 18

1

2

3

4



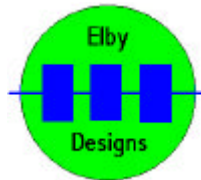
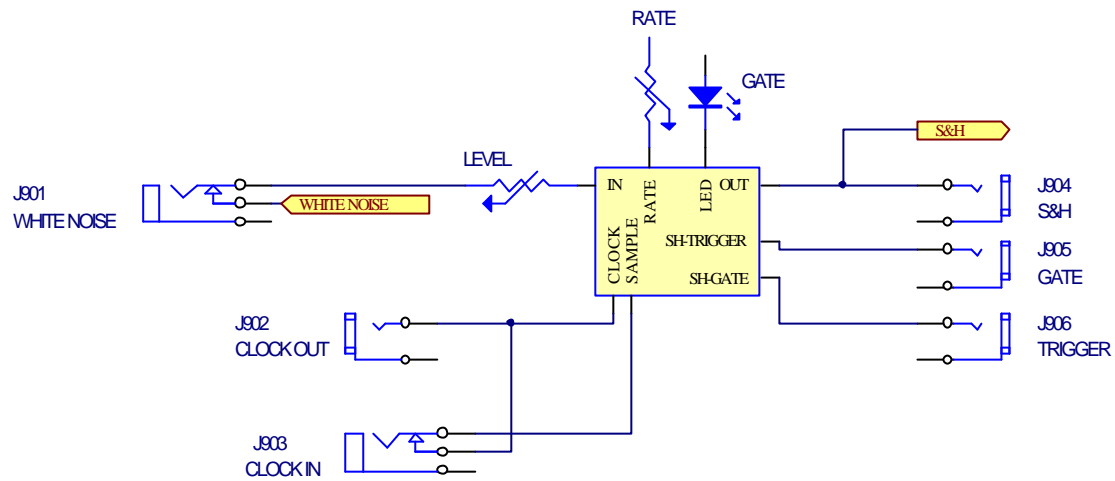
9 Follan Close  
Kariang  
NSW 2250  
Australia

ASM2-Wizard

Ring Modulator

Size A4	FCSM No. 6102006	DWG No. ring.schdoc	Rev 1
Scale	Laurie Bidulph	Sheet 8 of 18	



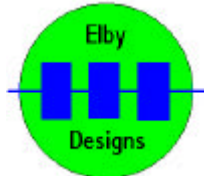
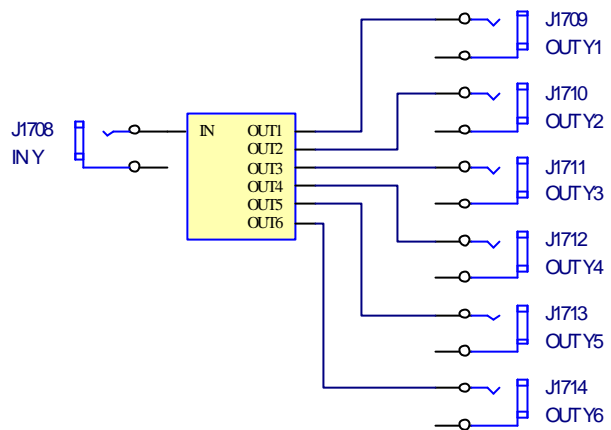
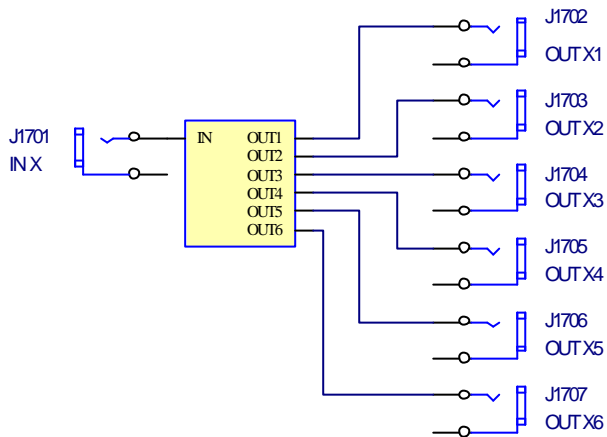


9 Follan Close  
Kariang  
NSW 2250  
Australia

ASM2-Wizard

Sample & Hold

Size A4	FCSM No. 6/10/2006	DWG No. sampleschdoc	Rev 1
Scale	Laurie Bidulph		Sheet 9 of 18

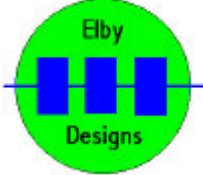
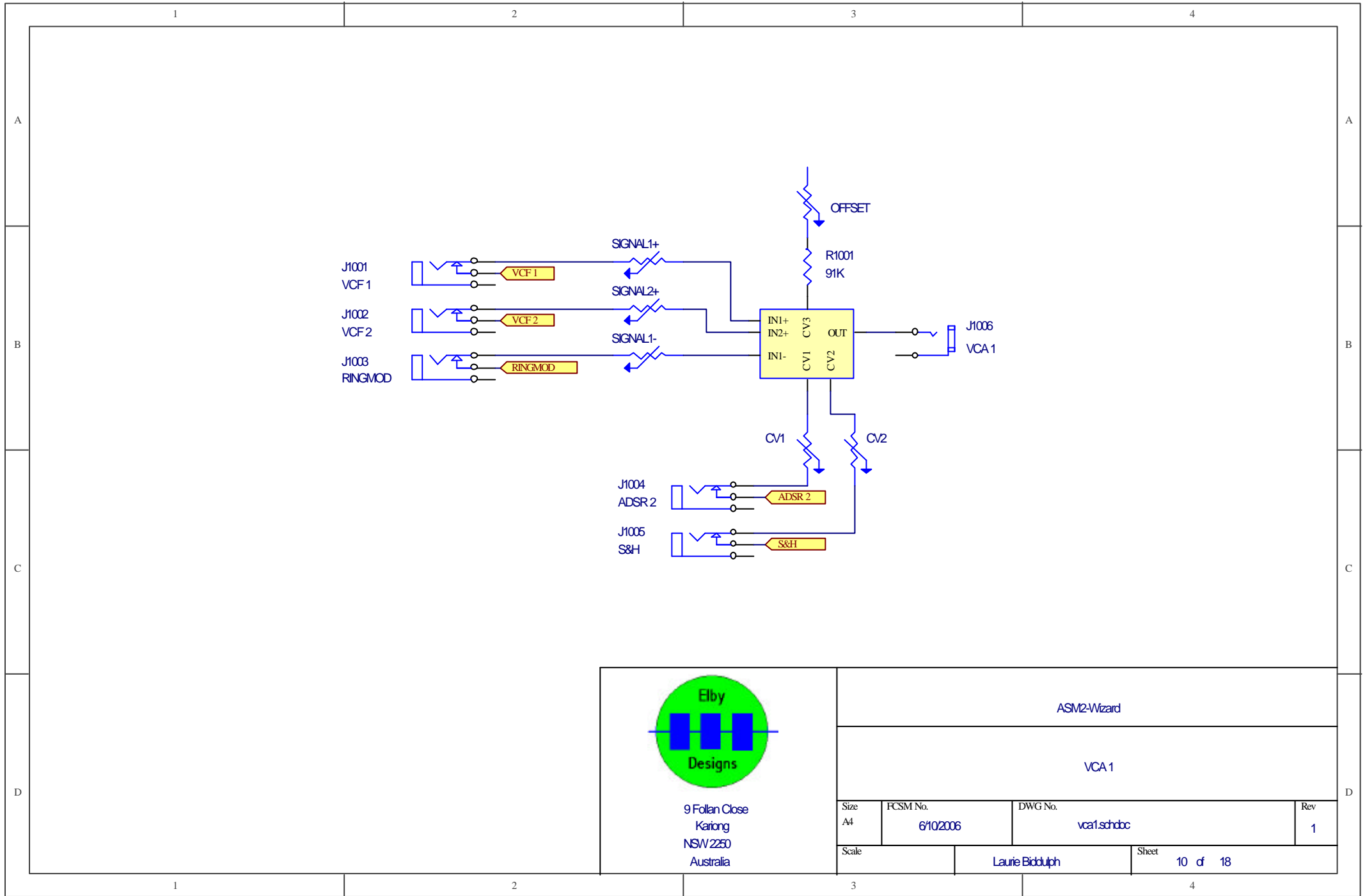


9 Follan Close  
Kariang  
NSW 2250  
Australia

ASM2-Wizard

Splitter Module

Size A4	FCSM No. 6/10/2006	DWG No. splitter.schdoc	Rev 1
Scale	Laurie Bidulph		Sheet 17 of 18

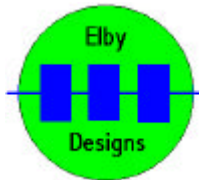
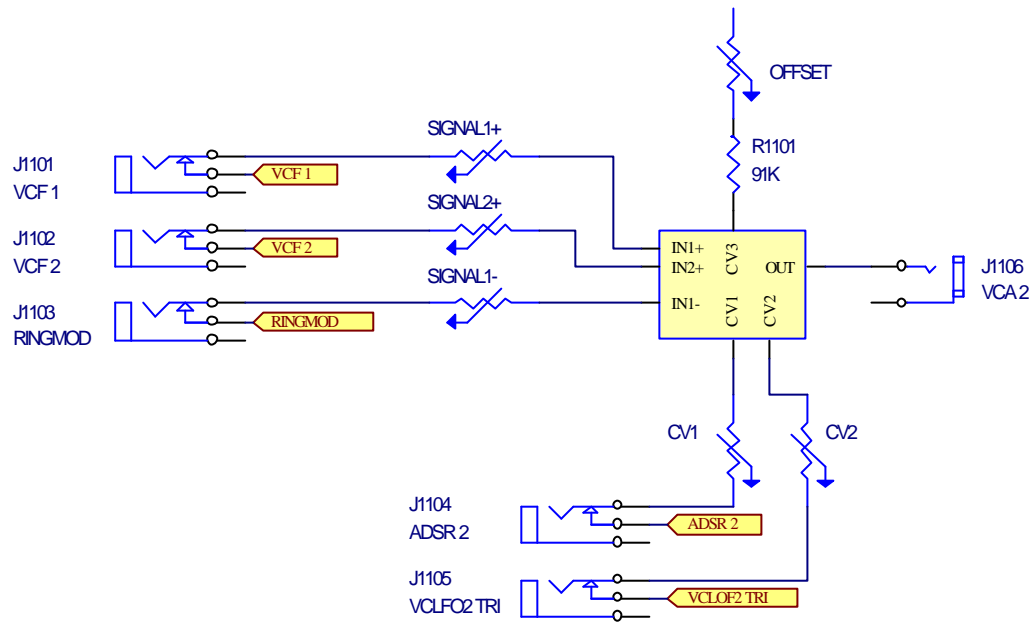


9 Follan Close  
Kariang  
NSW 2250  
Australia

ASM2-Wizard

VCA 1

Size A4	FCSM No. 6/10/2006	DWG No. vca1.schdoc	Rev 1
Scale	Laurie Bidulph		Sheet 10 of 18



9 Follan Close  
Kariang  
NSW 2250  
Australia

ASM2-Wizard

VCA 2

Size A4	FCSM No. 6102006	DWG No. vca2sch02c	Rev 1
Scale	Laurie Bidolph		Sheet 11 of 18

A

B

C

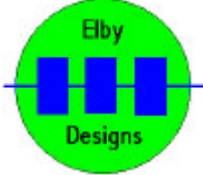
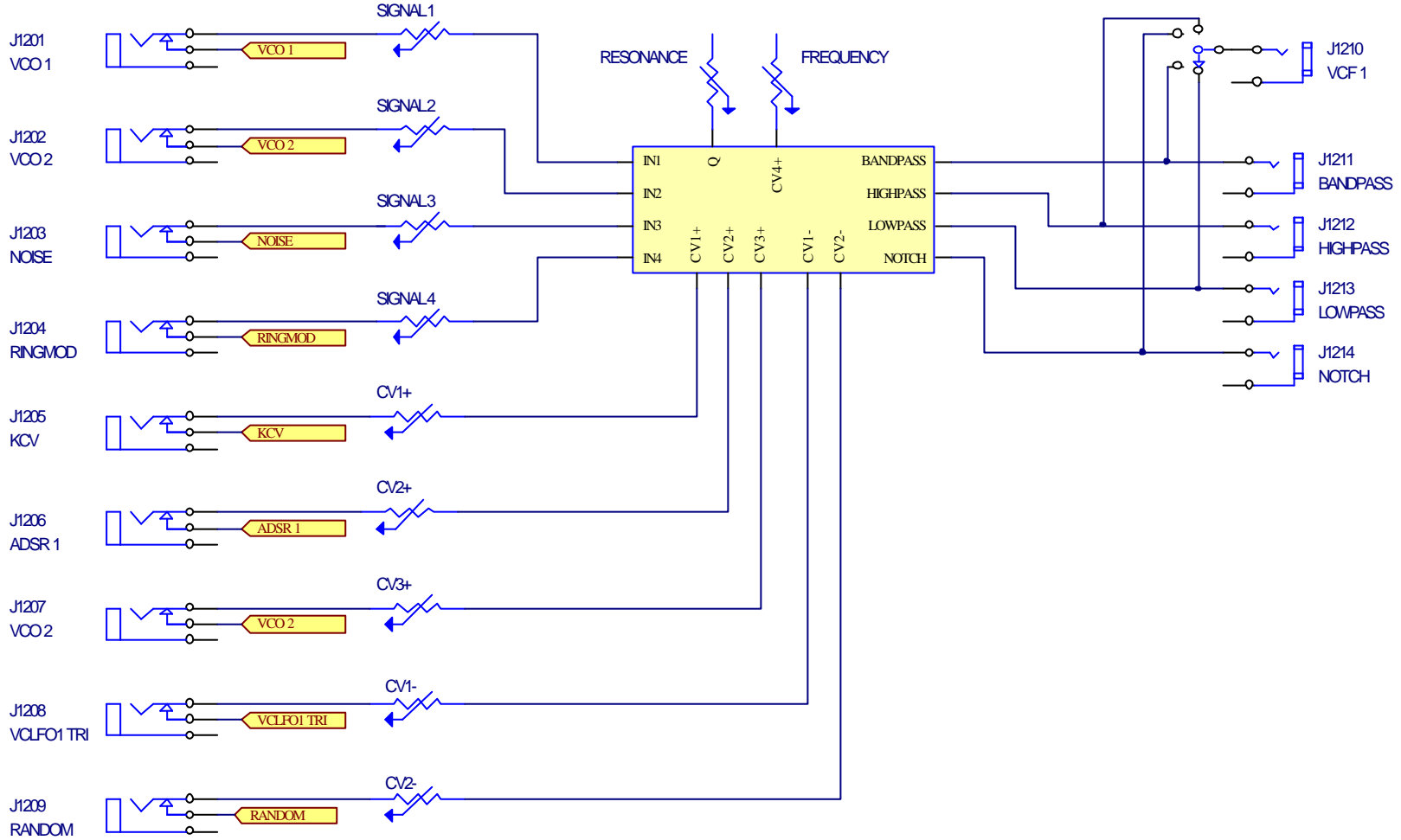
D

A

B

C

D

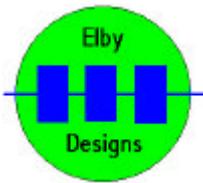
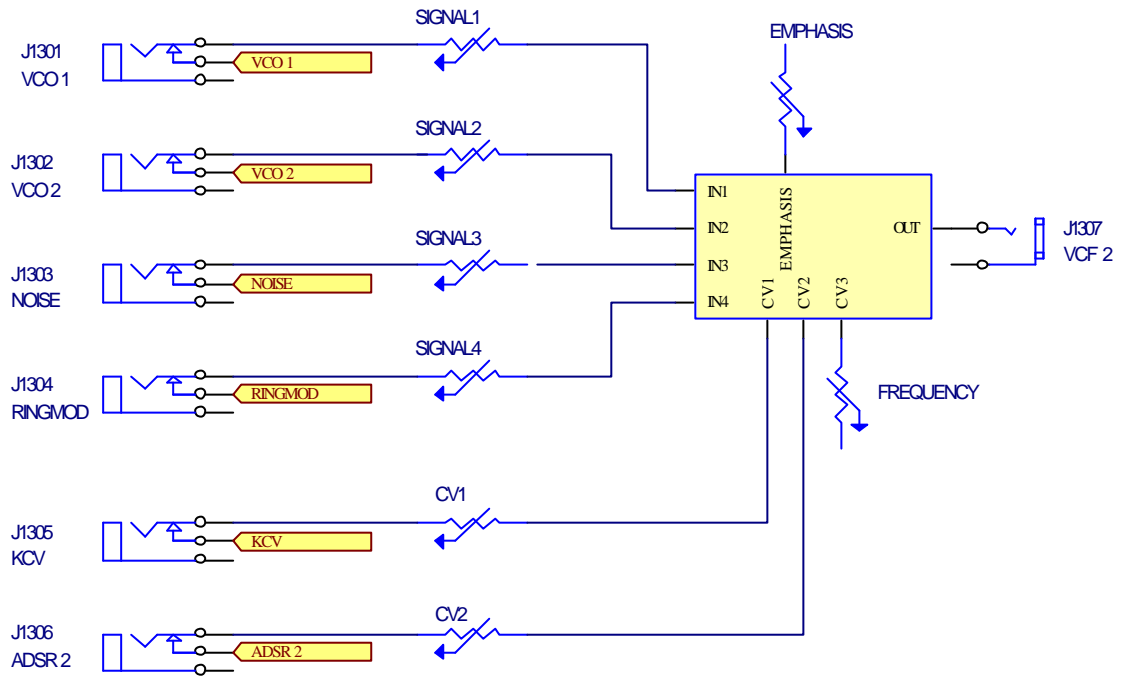


9 Folan Close  
Karing  
NSW 2250  
Australia

ASM2-Wizard

VCF 1

Size A4	FCSM No. 6102006	DWG No. vcf1.schdoc	Rev 1
Scale	Laurie Bidulph		Sheet 12 of 18

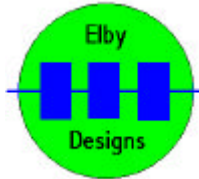
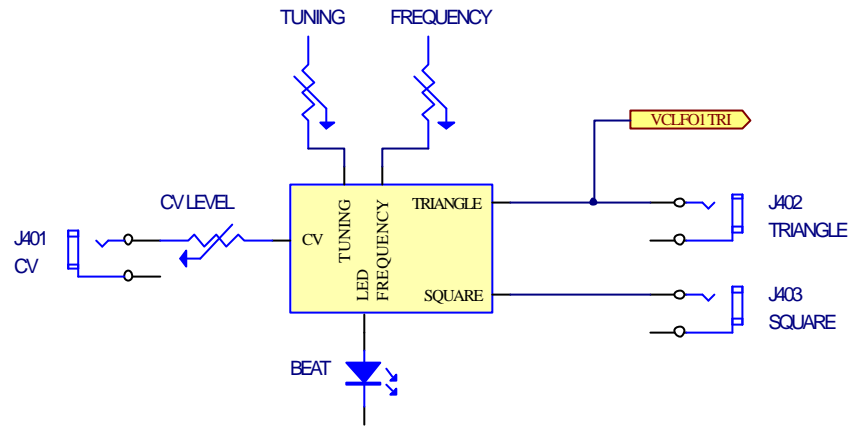


9 Follan Close  
Kariang  
NSW 2250  
Australia

ASM2-Wizard

VCF 2

Size A4	FCSM No. 6102006	DWG No. vof2schdoc	Rev 1
Scale	Laurie Bidulph		Sheet 13 of 18

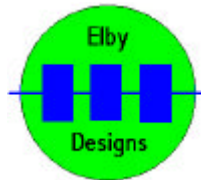
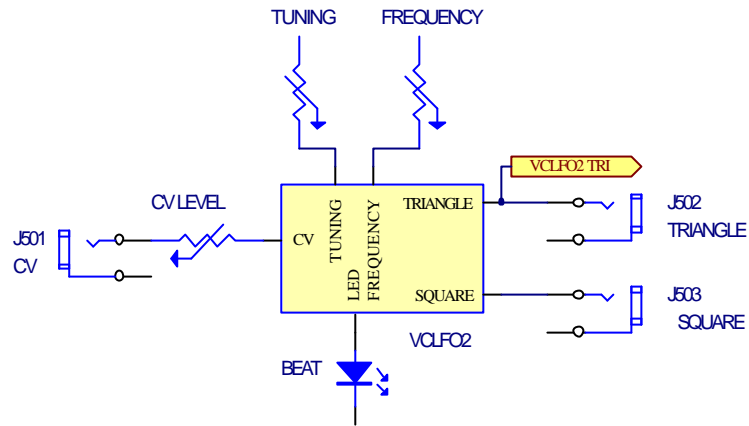


9 Folan Close  
Kariang  
NSW 2250  
Australia

ASM2-Wizard

VCLFO1

Size A4	FCSM No. 6102006	DWG No. vclfo1.schdoc	Rev 1
Scale	Laurie Bidulph		Sheet 4 of 18



9 Folan Close  
Kariang  
NSW 2250  
Australia

ASM2-Wizard

VCLFO2

Size A4	FCSM No. 6102006	DWG No. vclfo2.schdoc	Rev 1
Scale	Laurie Bidulph		Sheet 5 of 18



A

B

C

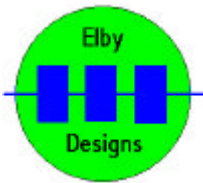
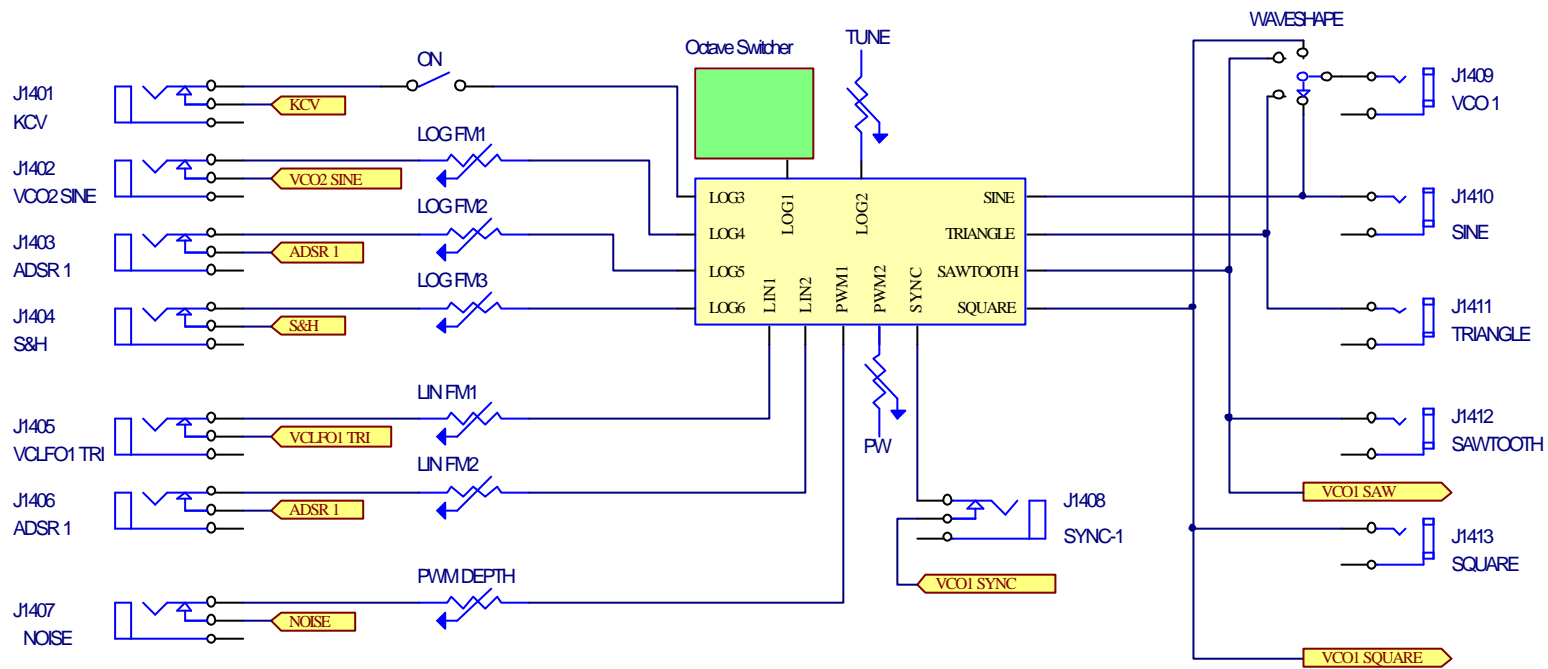
D

A

B

C

D



9 Follan Close  
Kariang  
NSW 2250  
Australia

ASM2-Wizard

VCO 1

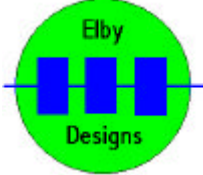
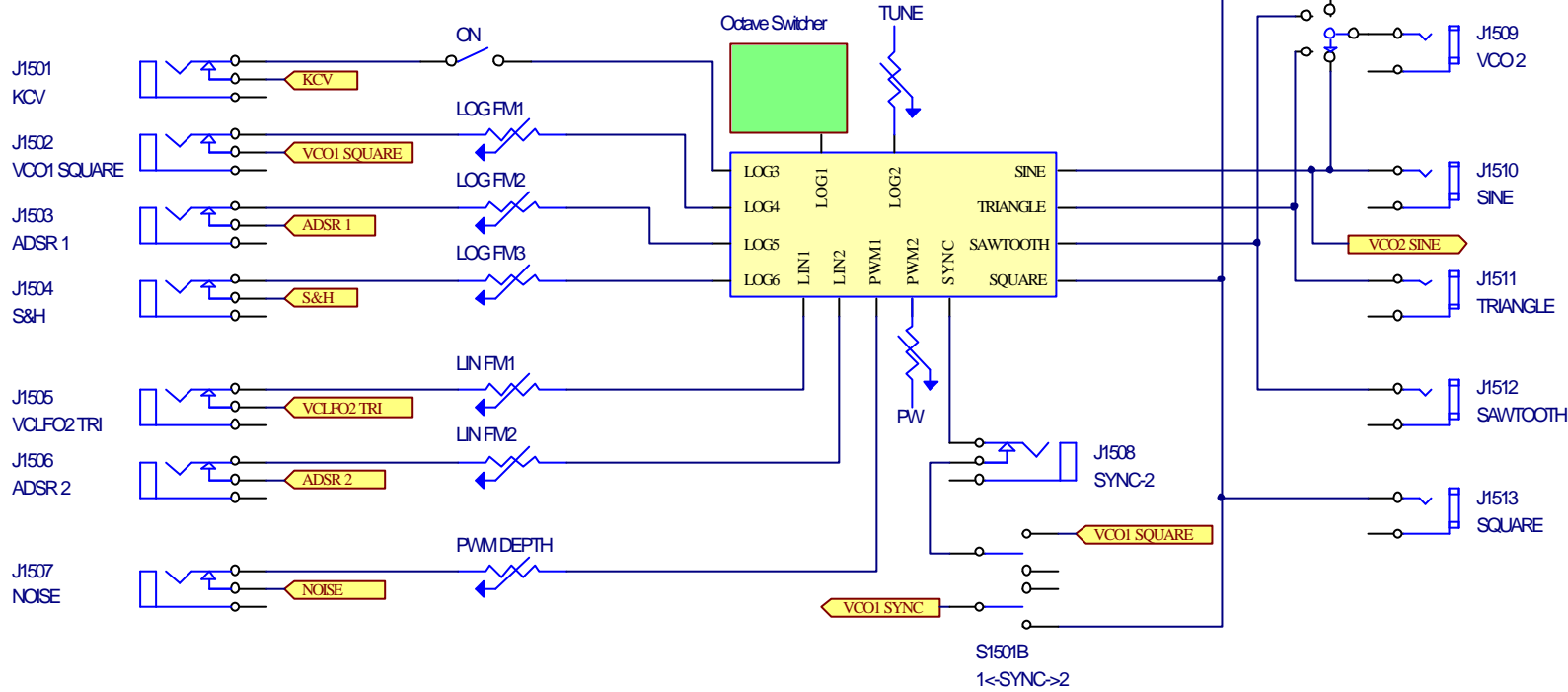
Size A4	FCSM No. 6102006	DWG No. vco1.schdoc	Rev 1
Scale	Laurie Bidulph		Sheet 14 of 18

A

B

C

D



9 Folan Close  
Karing  
NSW 2250  
Australia

ASM2-Wizard

VCO2

Size A4	FCSM No. 6/10/2006	DWG No. vco2schdbc	Rev 1
Scale	Laurie Bidolph		Sheet 15 of 18