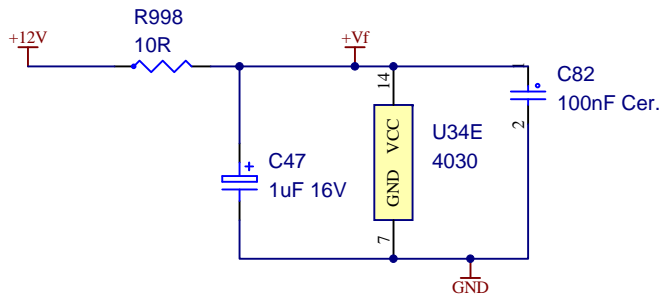
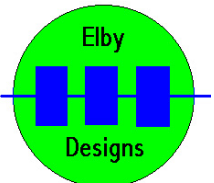


Using  $CLK = 1 / 2.2RC$ ,  $CLK \approx 38kHz$

R899 not on PCB



Based on an original design in ETI.  
Copyright now owned by Everyday Practical Electronics ([www.epemag.co.uk](http://www.epemag.co.uk))



9 Follan Close  
Kariong  
NSW 2250  
Australia

# Transcendent 2006

## Noise Generator

Size A4	FCSM No. 30/08/2009	DWG No. noise.schdoc	Rev 1
Scale		Laurie Biddulph	Sheet 5 of 9