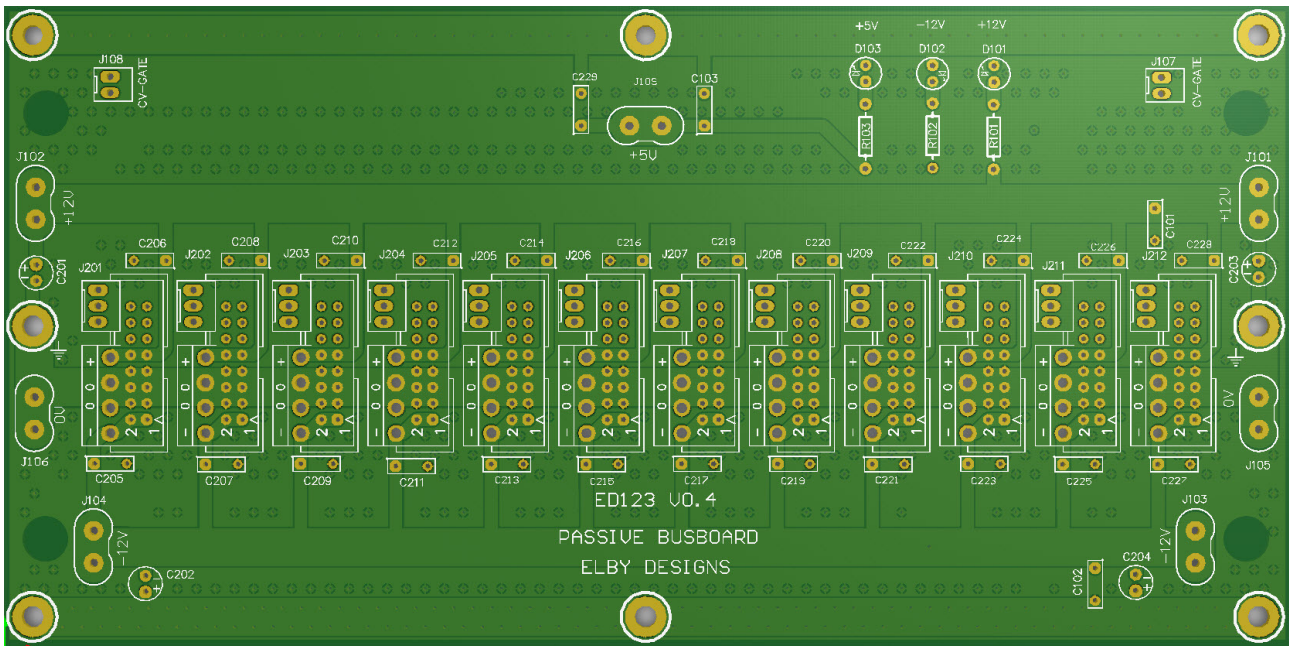


ED123 – Passive Busboard



The ED123 is a passive busboard similar to many other busboards on the market in that its sole function is to distribute the euro-synth power supply rails and control voltages throughout your system.

The ED123 design however follows a slightly different approach by adopting a form of busbar approach to the main power. On the ED123 both the +12V and -12V rails are run as heavy-duty power rails across the width of the busboard but outside the boundaries of the power module connectors. This allows these rails to be substantially wider than most competitor designs and allows these rails to have a much lower end-end impedance as well as a much higher current carrying capacity.

As these `busbars` pass each module power outlet a track is `tapped off the busbar` which then runs direct to the relevant connector pins.

The `busbar` approach allows ED123s to be daisy-chained thus reducing cable wiring within the system and helping to better define/control power paths.

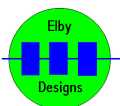
The end result is that there is a higher degree of `separation` between the module outputs which aids in reducing module interaction.

Field tests have shown a big improvement in a systems stability using the ED123 when compared with many other designs.

Details

The ED123 has dimensions of 205mm x 101mm allowing it to fit comfortably in to a 3U 42HP section of your system.

Each ED123 provides 12 module power outlets which can be either 16-way boxed IDC connectors or 0.156" KK connectors.



Elby Designs - Laurie Biddulph

9 Follan Close, Kariong, NSW 2250, Australia

elby_designs@ozemail.com.au <http://www.elby-designs.com>

ED123 – Passive Busboard

The ED123 includes a common 5V rail allowing an external 5VDC supply to be connected to the busboard and distributed to all connected modules.

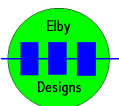
Power

The ED123 requires external power in the form of a well-regulated +/-12VDC supply. Within the Panther family this power can come from either:-

- ED126 – Powered Passive Busboard
- ED122 – Power Unit
- PSU-5
- PSU-7

All of these solutions utilise linear regulators offering high-quality, low-noise power rail outputs and are ideally suited as part of the installation of a quality back-bone power distribution system.

In addition we have the PSU-8 which provides filtered DC-DC Switcher outputs.



Elby Designs - Laurie Biddulph

9 Follan Close, Kariong, NSW 2250, Australia

elby_designs@ozemail.com.au <http://www.elby-designs.com>