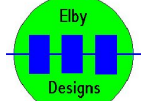


cgs735-power.schdoc
 cgs735-mixer.schdoc



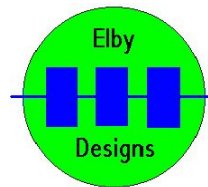
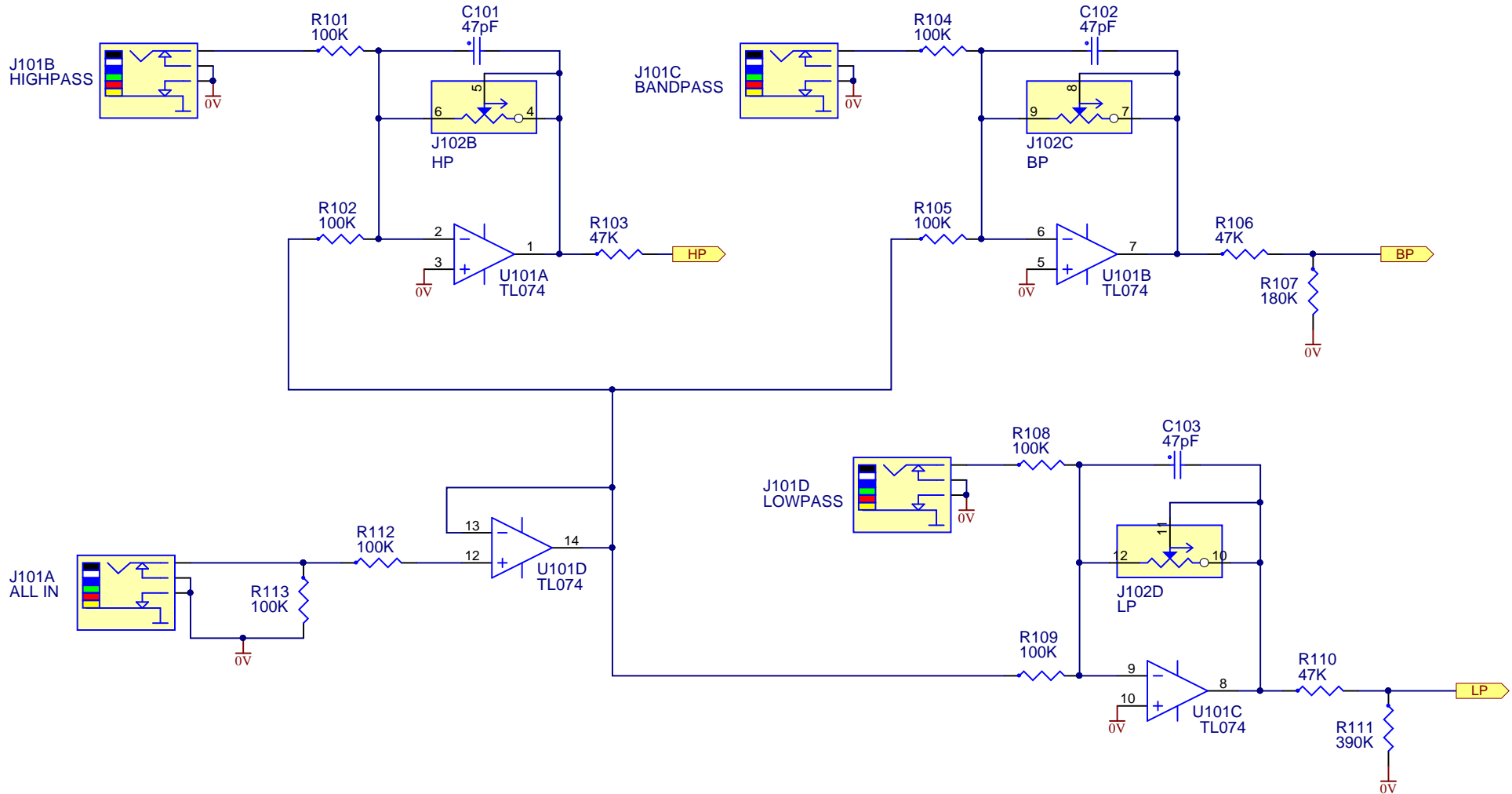
9 Follan Close
 Kariang
 NSW 2250
 Australia

CGS735 - Synthacon Filter

Reproduced in collaboration with Ken Stone

Synthacon Filter

Size A3	FCSM No. 8/11/2017	DWG No. cgs735-main.schdoc	Rev 1.9
Scale	Laurie Biddulph		Sheet 1 of 3



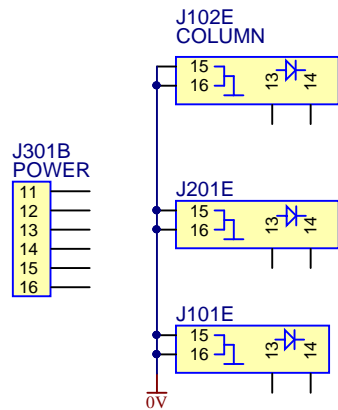
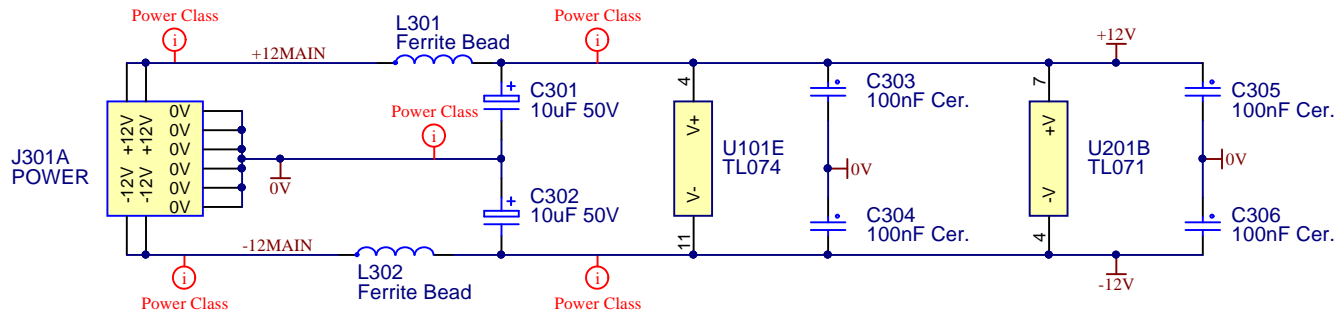
9 Follan Close
Kariang
NSW 2250
Australia

CGS735 - Synthacon Filter

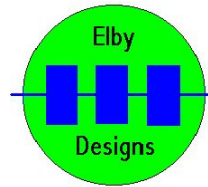
Reproduced in collaboration with Ken Stone

Mixer Stage

Size A4	FCSM No. 8/11/2017	DWG No. cgs735-mixer.schdoc	Rev 1.9
Scale	Laurie Biddulph		Sheet 2 of 3



N-Tick



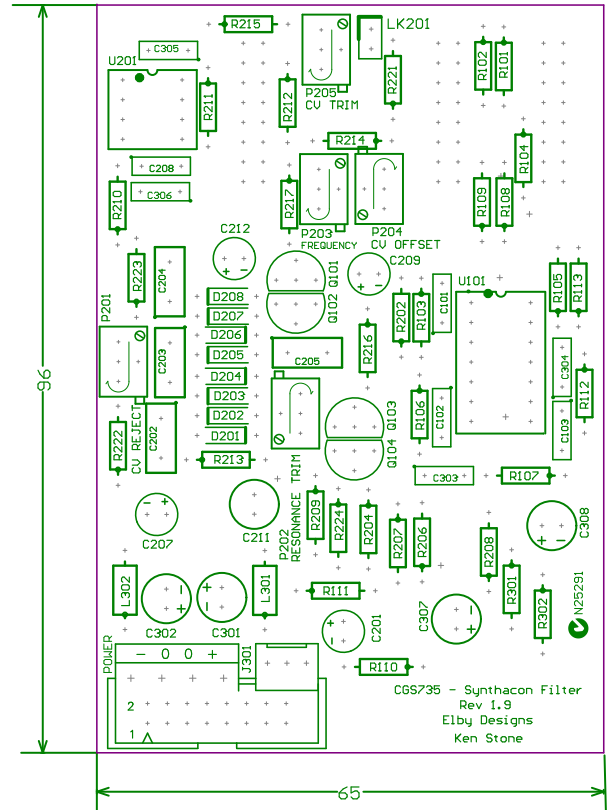
9 Follan Close
Kariang
NSW 2250
Australia

CGS735 - Synthacon Filter

Reproduced in collaboration with Ken Stone

Power Supply

Size A4	FCSM No. 8/11/2017	DWG No. cgs735-power.schdoc	Rev 1.9
Scale	Laurie Biddulph		Sheet 3 of 3



Lead-free HASL - RoHS compliant
 FR4, 1.6mm thick
 Matt White silk-screen to 2 sides
 Silk-screen quality is important
 Matt Blue solder-mask to 2 sides
 Finished external copper weight 1oz
 All vias to be tented (both sides) u.o.s
 All holes are 'finished' sizes
 PCB to be supplied loose (not panellised)

<p>Elby Designs Kariong, NSW 2250 Australia www.elby-designs.com</p>	<p>Panther CGS735</p>
------------------------------------------------------------------------------------------------------------------------------------------------------	------------------------------

<p>All dimensions in millimeters unless stated otherwise.</p>	<p>(A4) Not to scale</p>	<p>Rev: 1.9</p>	<p>Date: 19/05/16</p>
---------------------------------------------------------------	--------------------------	-----------------	-----------------------