

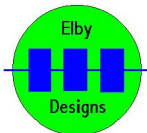
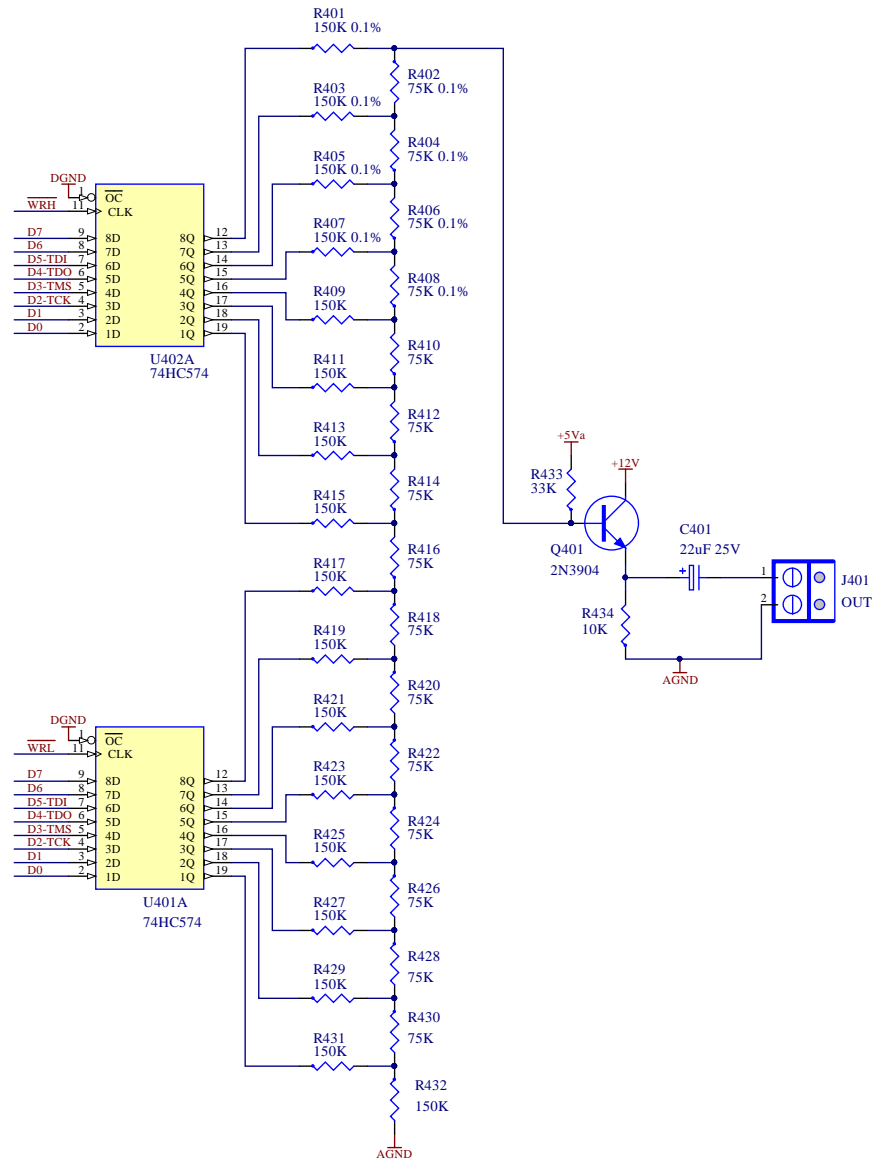
9 Follan Close
Kariang
NSW 2250
Australia

IMPORTANT NOTICE:
Information disclosed by this drawing is the property of ELBY Designs.
Duplication or manufacturing rights granted by written permission only.

AVR Synthesiser Interface Circuit

From a design by Jaroslaw Ziembicki

Size A4	FCSM No. 11/02/2017	DWG No. control.schdoc	Rev 1
Scale	Laurie Biddulph	Sheet 2 of 4	

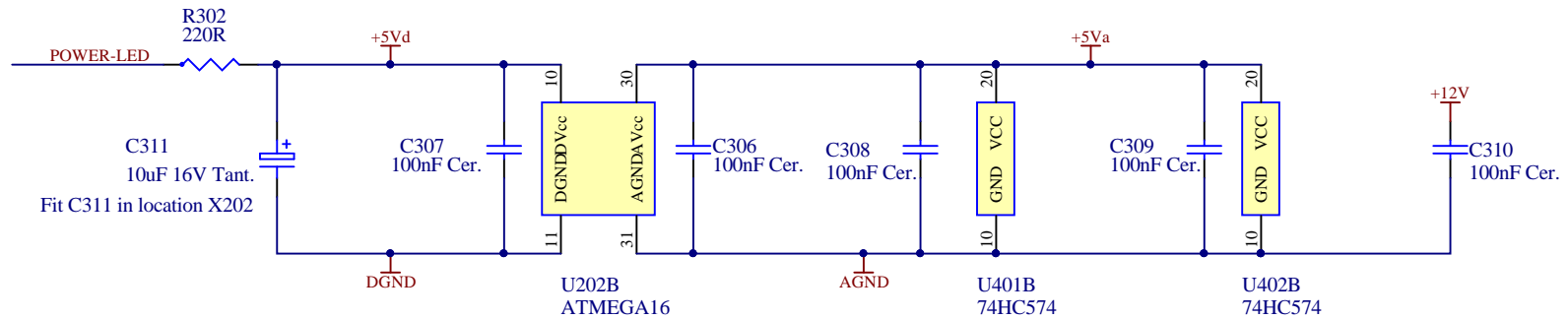
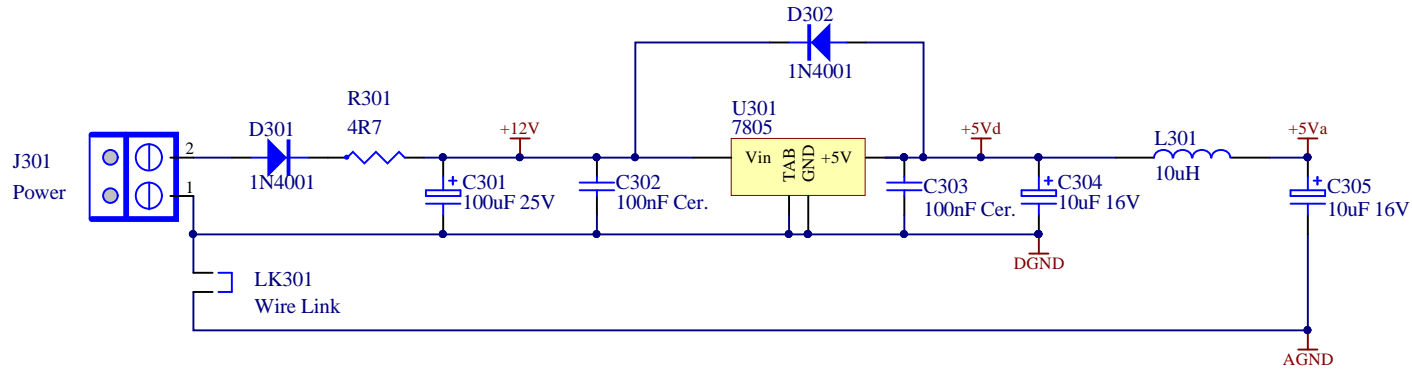


9 Follan Close
Kariang
NSW 2250
Australia

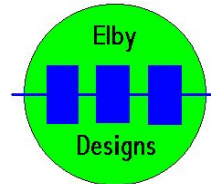
IMPORTANT NOTICE:
Information disclosed by this drawing is the property of ELBY Designs.
Duplication or manufacturing rights granted by written permission only.

AVR Synthesiser
Digital to Analog Converter
From a design by Jaroslaw Ziembicki

Size A4	FCSM No. 11/02/2017	DWG No. dac.schdoc	Rev 1
Scale	Laurie Biddulph		Sheet 3 of 4



Please note that 30 & 31 are reversed on the pcb



9 Follan Close
Kariang
NSW 2250
Australia

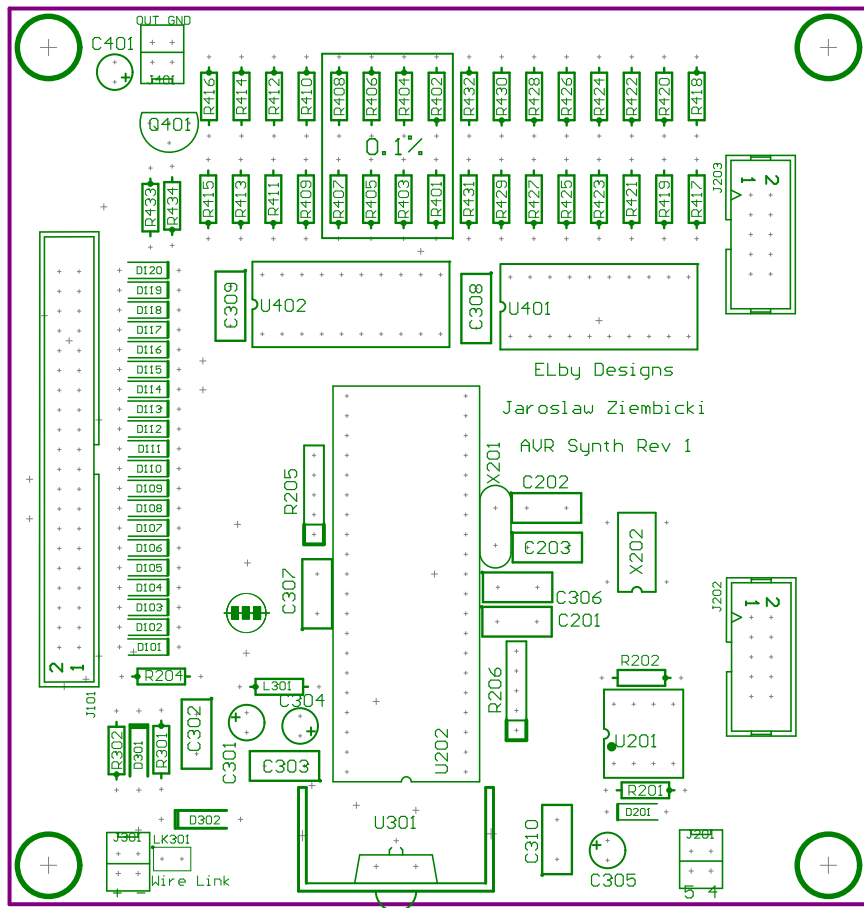
IMPORTANT NOTICE:

Information disclosed by this drawing is the property of ELBY Designs. Duplication or manufacturing rights granted by written permission only.

**AVR Synthesiser
Power Supply**

From a design by Jaroslaw Ziembicki

Size A4	FCSM No. 11/02/2017	DWG No. power.schdoc	Rev 1
Scale	Laurie Biddulph	Sheet 4 of 4	



115 (mm)

110 (mm)

Mount X101 1mm - 2mm above the board
or use a crystal spacer

Fit C311 across X202 as shown



Fit R207 across U201 as shown
on underside of pcb



Switch pin 30 and 31 on U202
(Already done if IC Socket is fitted)

Elby Designs
Kariong, NSW 2250
Australia
www.elby-designs.com

AVR Synthesiser
Component Overlay

All dimensions in millimeters
unless stated otherwise.

(A4) Not to scale

Rev: 1

Date: 04/03/05