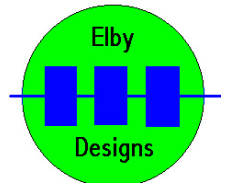
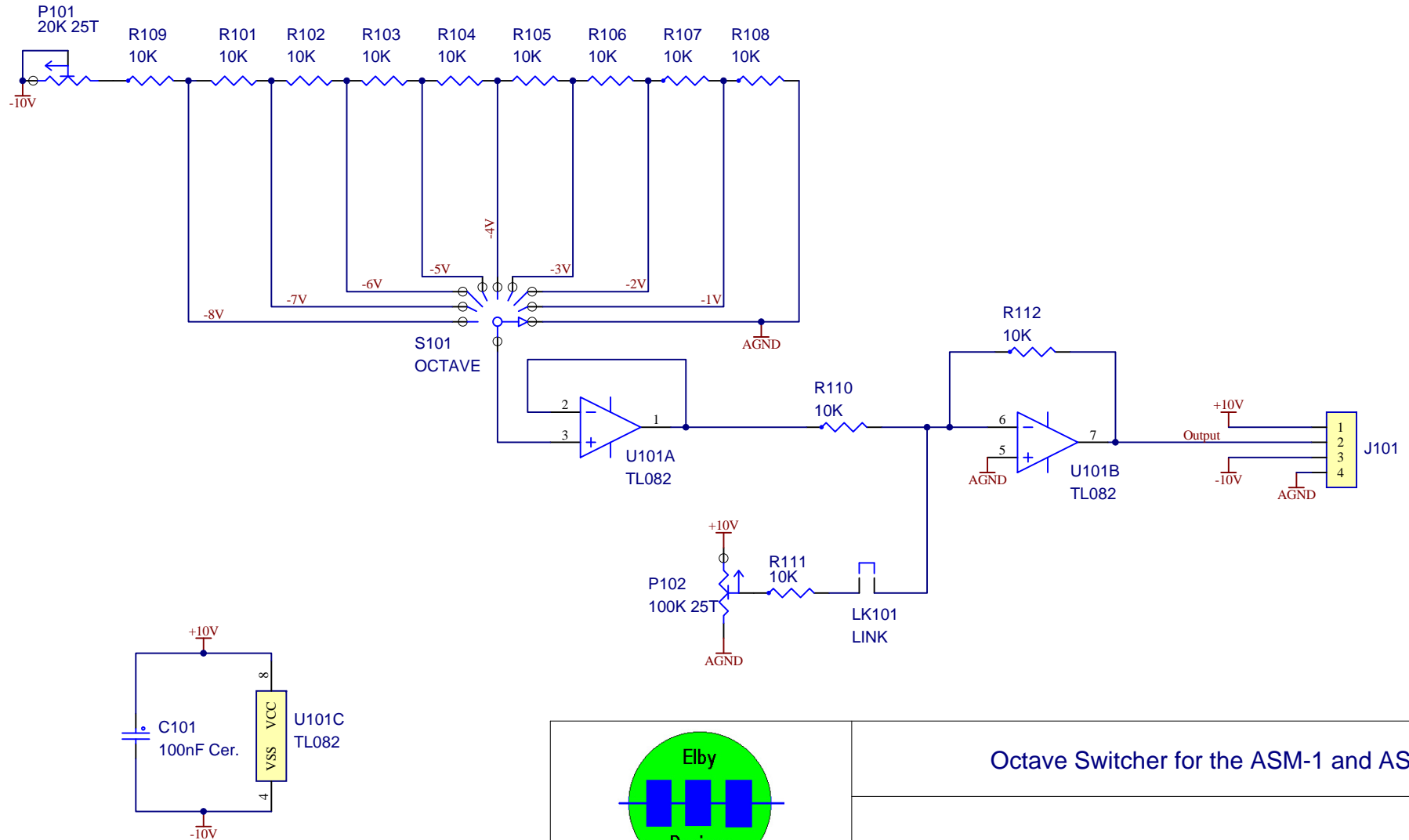


For +/-15V rails change R109 to 62K



9 Follan Close
Kariang
NSW 2250
Australia

Octave Switcher for the ASM-1 and ASM-2

| | | | |
|------------|------------------------|--------------------------|-----------------|
| Size A4 | FCSM No. 29/12/2007 | DWG No. octave.schdoc | Rev 2 |
| Scale | Laurie Biddulph | | Sheet 1 of 1 |