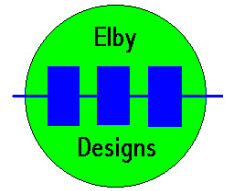


ed104-power.schdoc

ed104-buss.schdoc

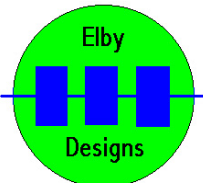
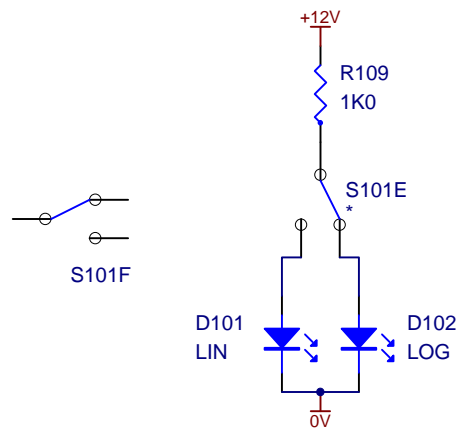
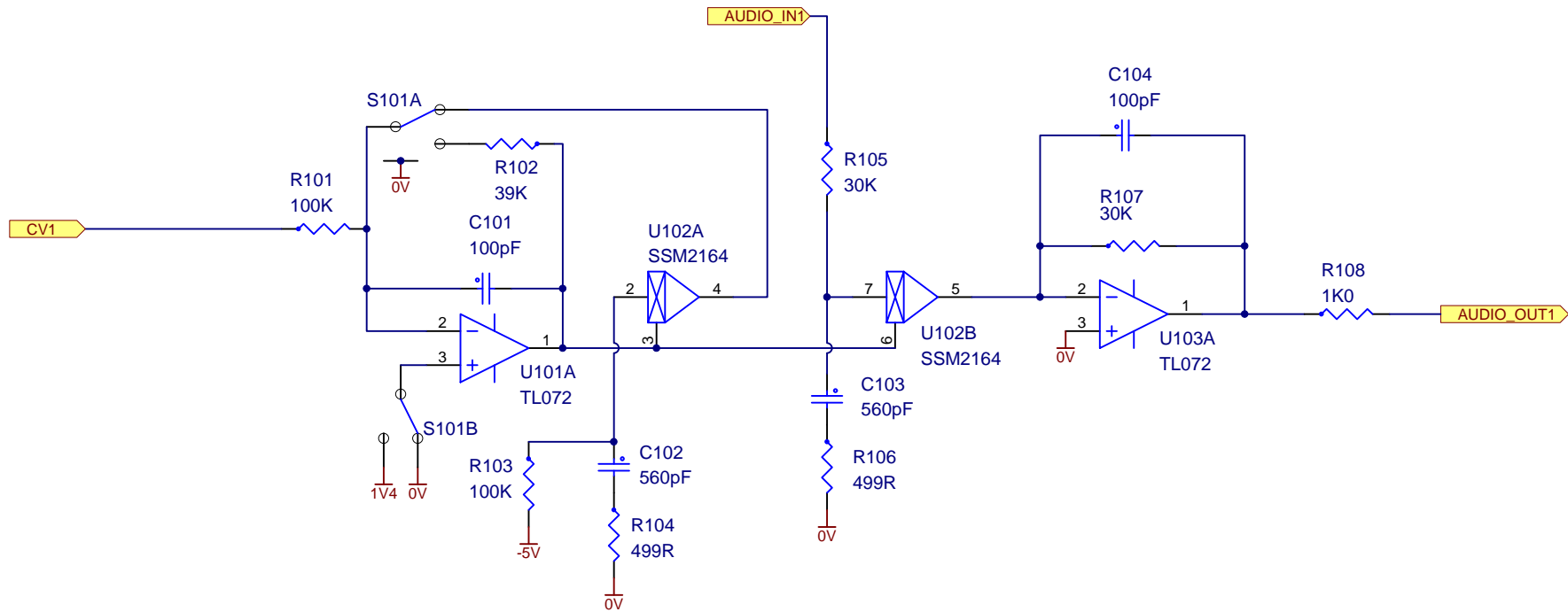


9 Follan Close
Kariang
NSW 2250
Australia

ED104 - Dual VCA

Panner Control

Size A4	FCSM No. 14/02/2007	DWG No. ed104-main.schdoc	Rev 1
Scale		Laurie Biddulph	Sheet 1 of 4

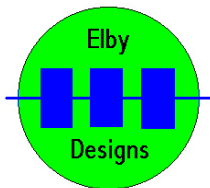
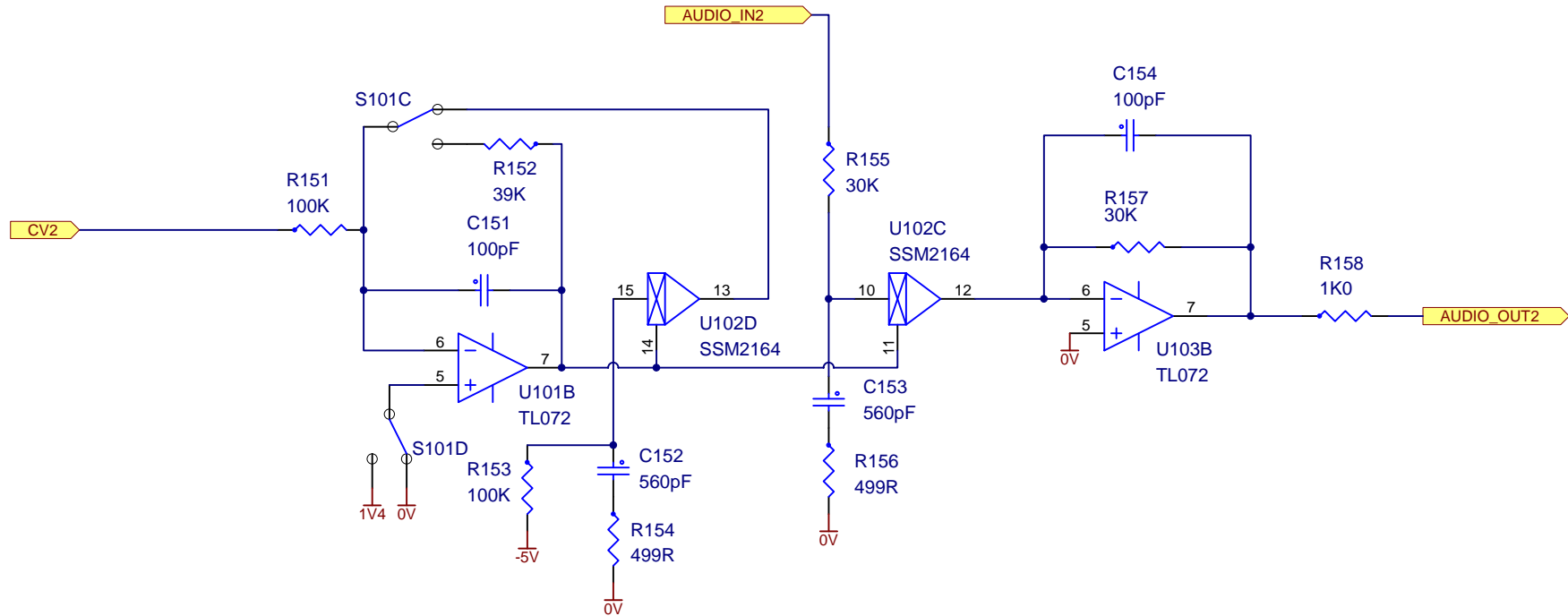


9 Follan Close
Kariang
NSW 2250
Australia

ED104 - Dual VCA

VCA 1

Size A4	FCSM No. 14/02/2007	DWG No. ed104-vca1.schdoc	Rev 1
Scale		Laurie Biddulph	Sheet 1 of 4

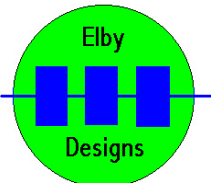
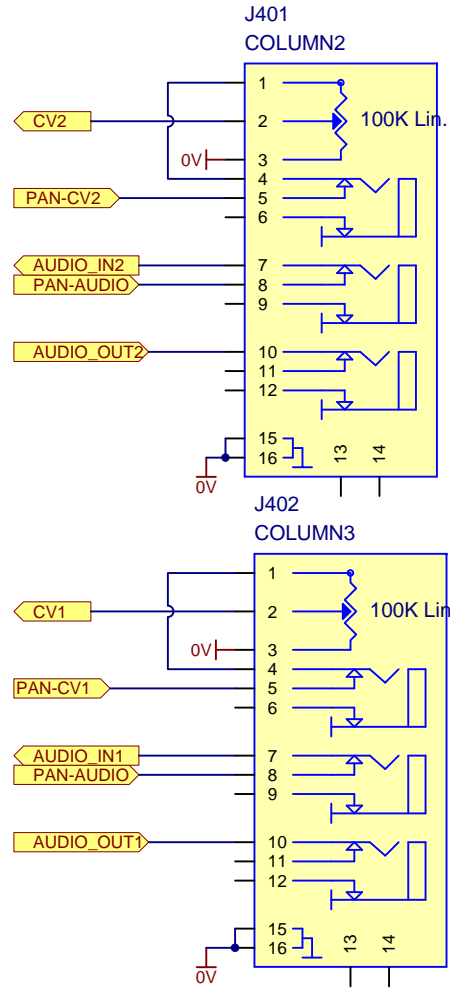


9 Follan Close
Kariong
NSW 2250
Australia

ED104 - Dual VCA

VCA 2

Size A4	FCSM No. 14/02/2007	DWG No. ed104-vca2.schdoc	Rev 1
Scale		Laurie Biddulph	Sheet 2 of 4

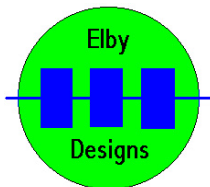
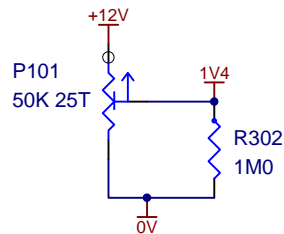
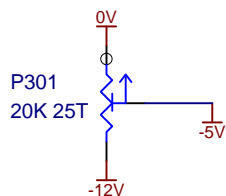
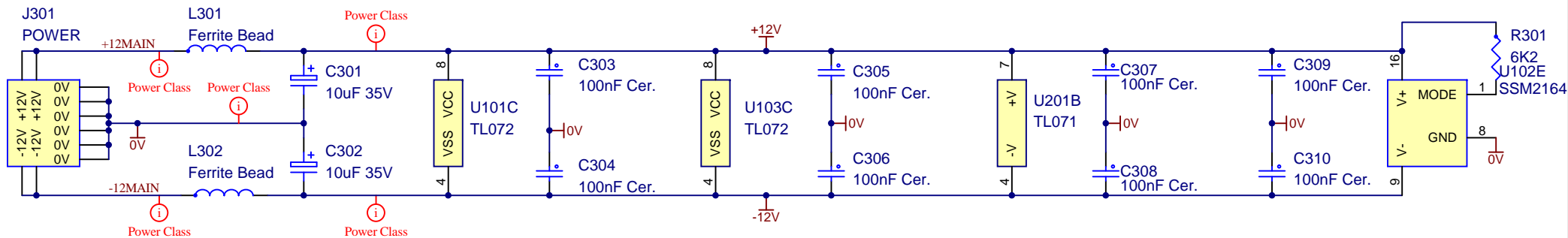


9 Follan Close
Kariang
NSW 2250
Australia

ED104 - Dual VCA

Buss Connectors

Size A4	FCSM No. 14/02/2007	DWG No. ed104-buss.schdoc	Rev 1
Scale		Laurie Biddulph	Sheet 3 of 4



9 Follan Close
Kariang
NSW 2250
Australia

ED104 - Dual VCA

Power Supply

Size A4	FCSM No. 14/02/2007	DWG No. ed104-power.schdoc	Rev 1
Scale		Laurie Biddulph	Sheet 4 of 4