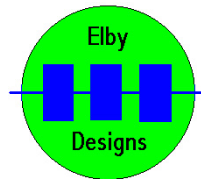


cgs758-buss.schdoc

cgs758-power.schdoc



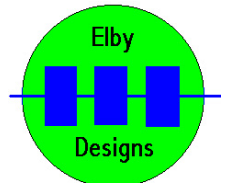
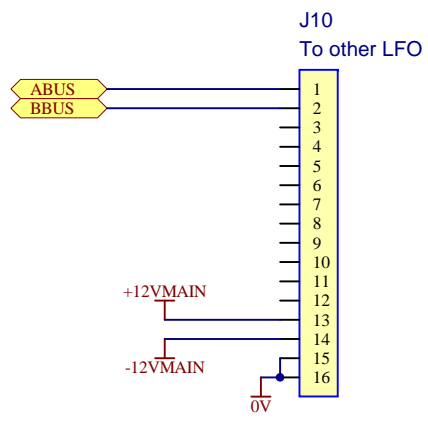
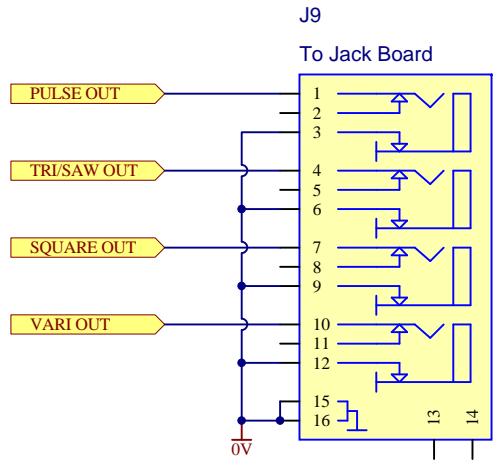
9 Follan Close
Kariang
NSW 2250
Australia

CGS758 - Utility LFO

Reproduced in collaboration with Ken Stone

LFO

Size A4	FCSM No. 17/05/2007	DWG No. cgs758-main.schdoc	Rev 1
Scale		Laurie Biddulph	Sheet 1 of 3



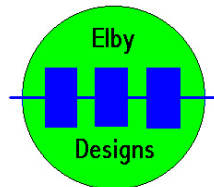
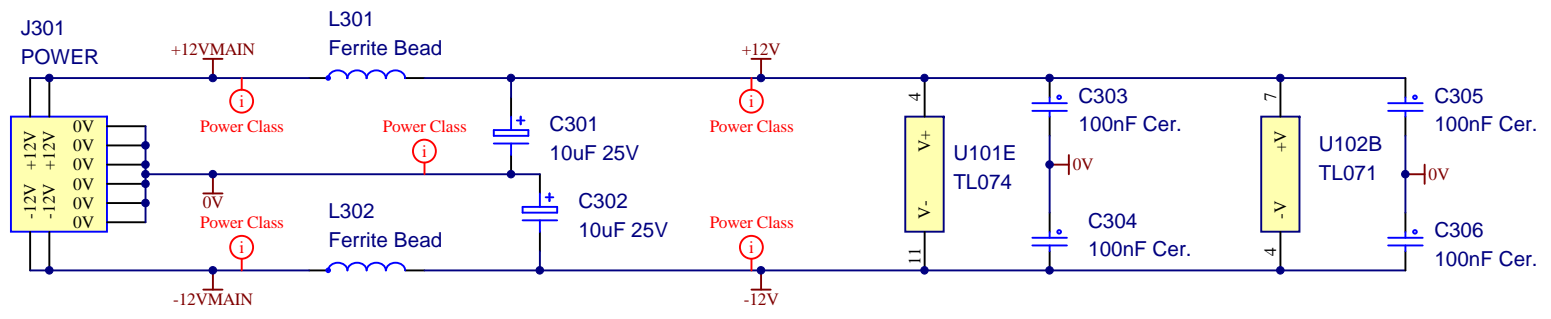
9 Follan Close
Kariong
NSW 2250
Australia

CGS758 - Utility LFO

Reproduced in collaboration with Ken Stone

Buss Connections

Size A4	FCSM No. 17/05/2007	DWG No. cgs758-buss.schdoc	Rev 1.1
Scale		Laurie Biddulph	Sheet 2 of 3



9 Follan Close
Kariang
NSW 2250
Australia

CGS758 - Utility LFO

Reproduced in collaboration with Ken Stone

Power Rail Decoupling

Size A4	FCSM No. 17/05/2007	DWG No. cgs758-power.schdoc	Rev 1
Scale	Laurie Biddulph		Sheet 3 of 3