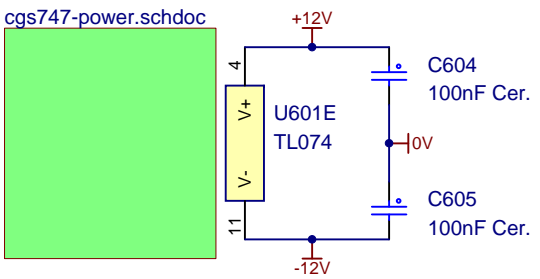
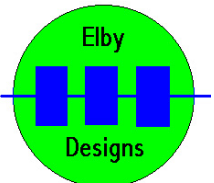


cgs747-mixer.schdoc

cgs747-processor.schdoc



cgs747-power.schdoc



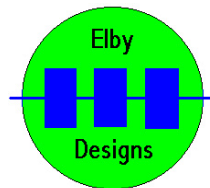
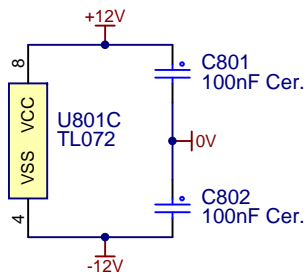
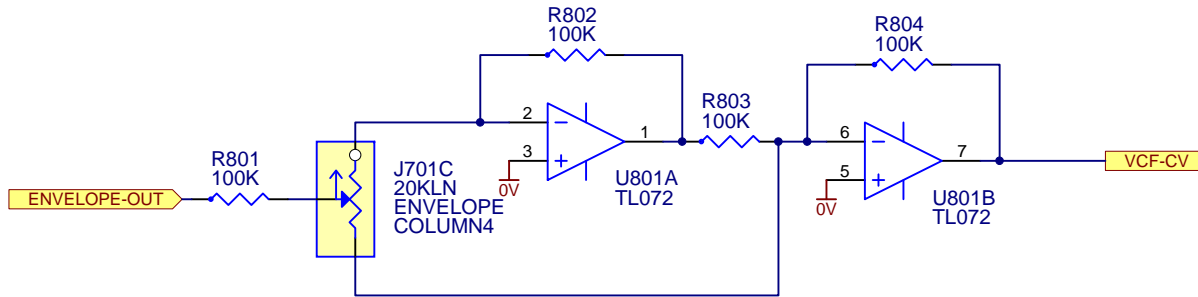
9 Follan Close  
Kariang  
NSW 2250  
Australia

# CGS747 - Cynare Drum Simulator

Reproduced in collaboration with Ken Stone

## Envelope Generator

Size A4	FCSM No. 7/11/2010	DWG No. cgs747-envelope.schdoc	Rev 1f
Scale		Laurie Biddulph	Sheet 1 of 6



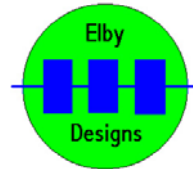
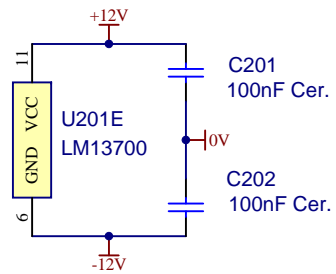
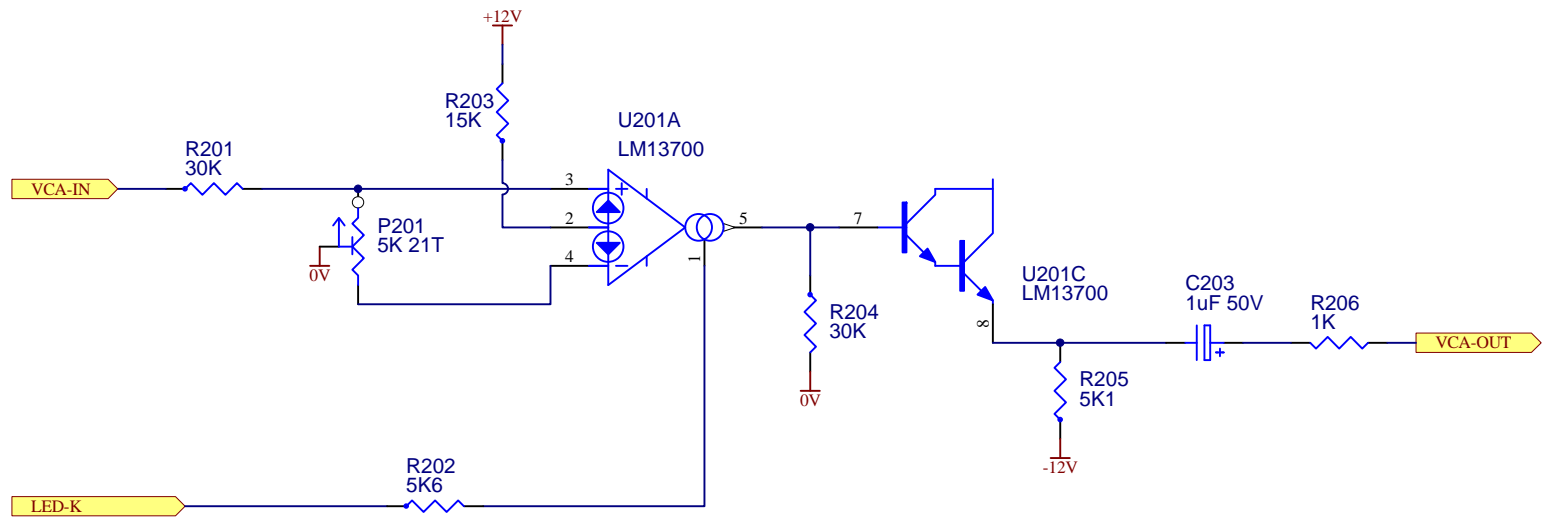
9 Follan Close  
Kariang  
NSW 2250  
Australia

## CGS747 - Cynare Drum Simulator

Reproduced in collaboration with Ken Stone

### Processor Circuit

Size A4	FCSM No. 7/11/2010	DWG No. cgs747-processor.schdoc	Rev 1f
Scale		Laurie Biddulph	Sheet 2 of 6



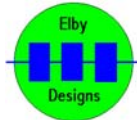
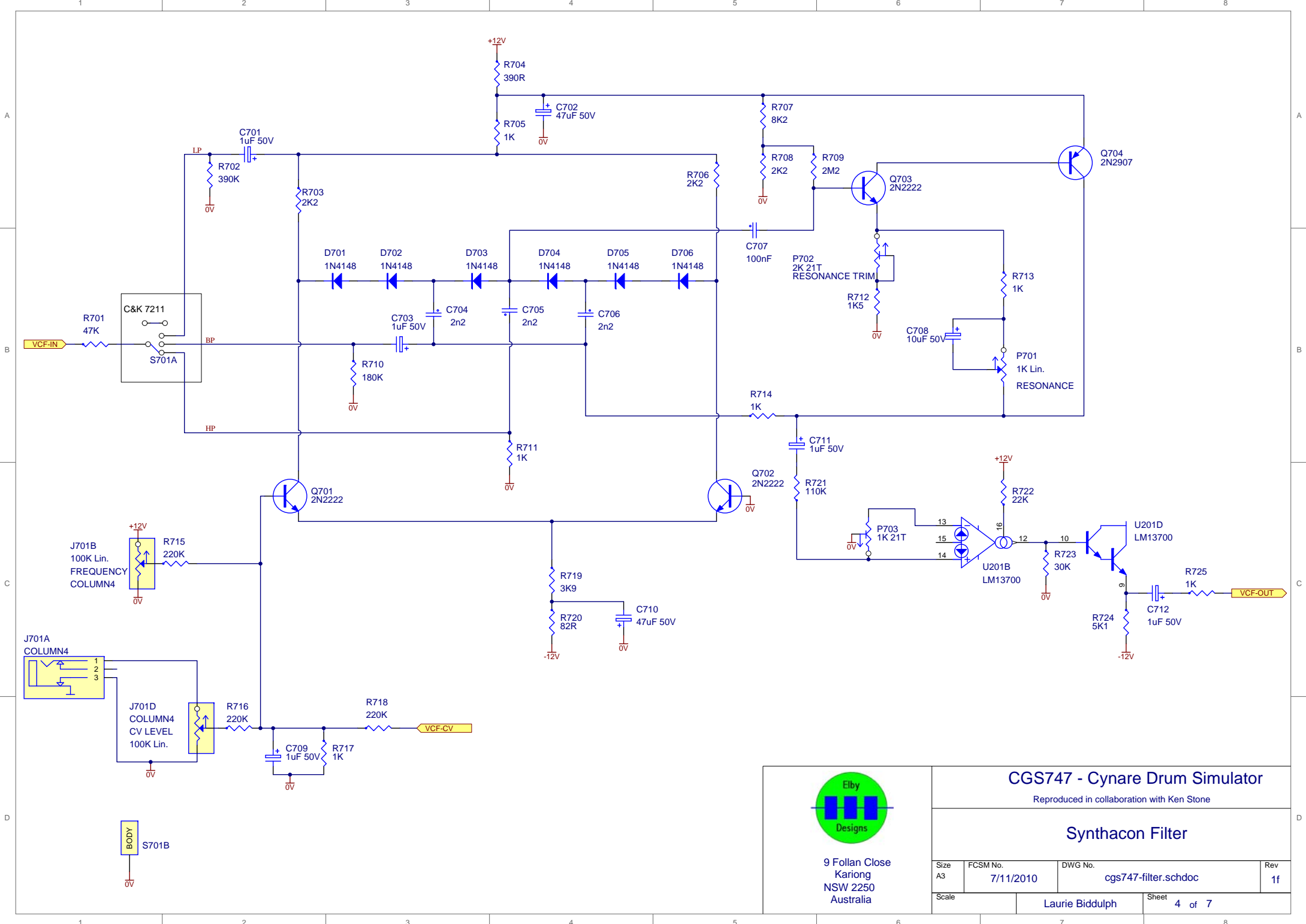
9 Follan Close  
Kariiong  
NSW, 2250  
Australia

# CGS747 - Cynare Drum Simulator

Reproduced in collaboration with Ken Stone

## Voltage Controlled Amplifier

Size A4	FCSM No. 7/11/2010	DWG No. cgs747-vca.schdoc	Rev 1f
Scale		Laurie Biddulph	Sheet 3 of 6



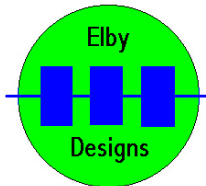
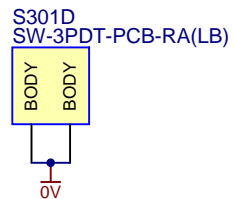
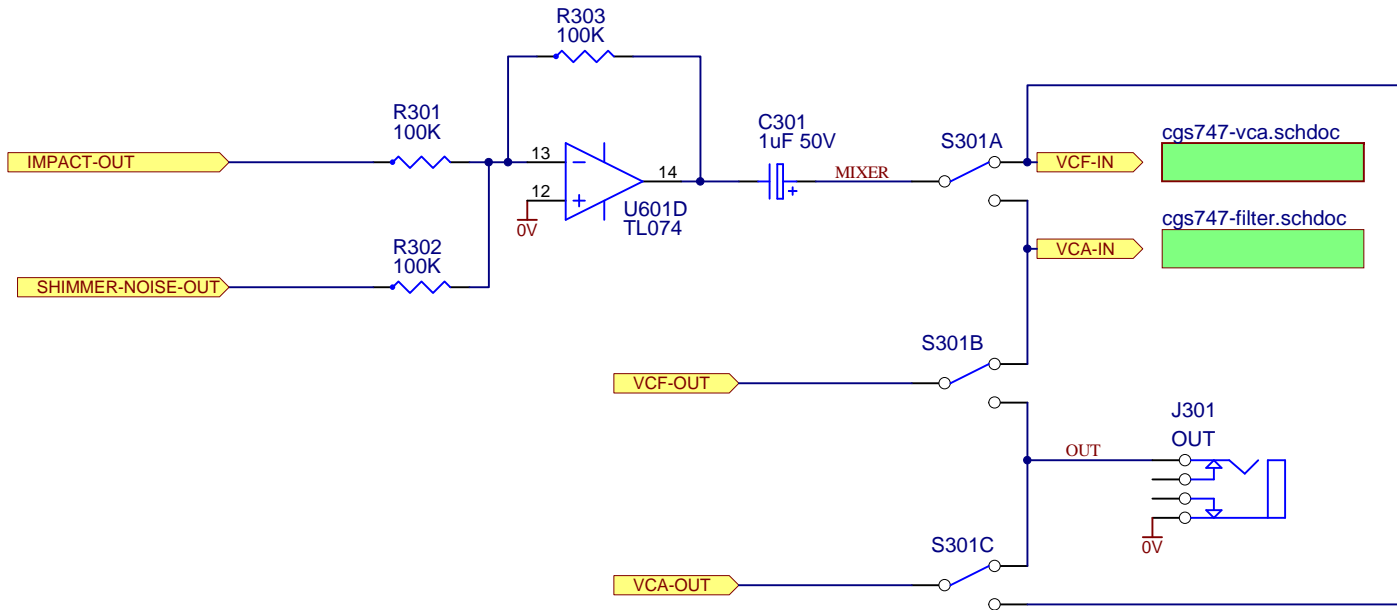
9 Follan Close  
Kariang  
NSW 2250  
Australia

### CGS747 - Cynare Drum Simulator

Reproduced in collaboration with Ken Stone

### Synthacon Filter

Size A3	FCSM No. 7/11/2010	DWG No. cgs747-filter.schdoc	Rev 1f
Scale	Laurie Biddulph		Sheet 4 of 7



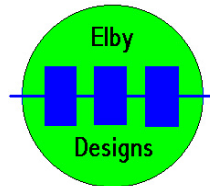
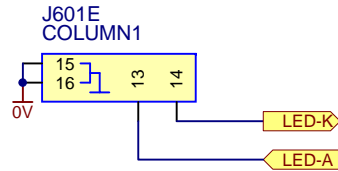
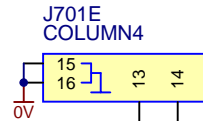
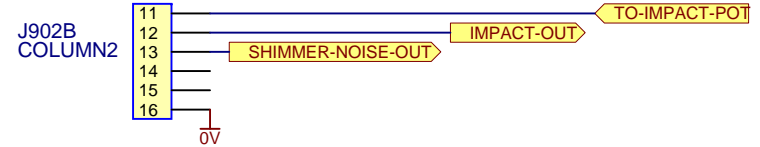
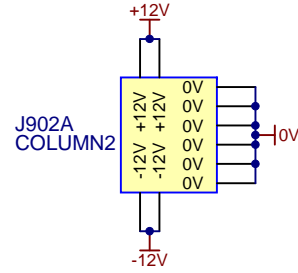
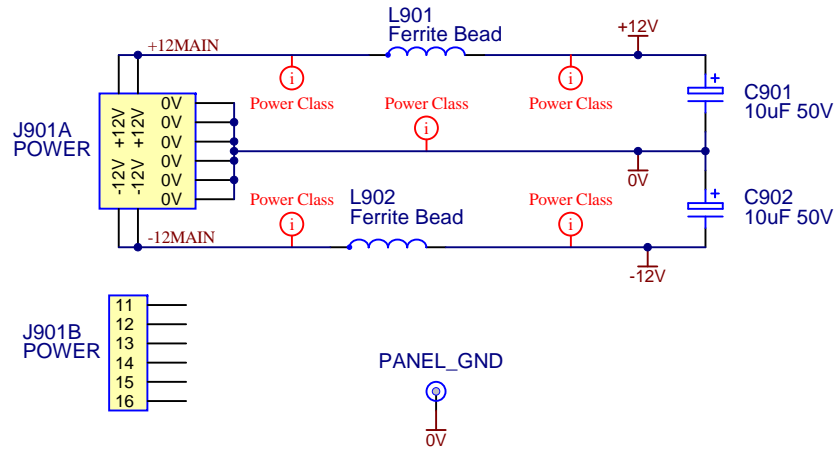
9 Follan Close  
Kariang  
NSW 2250  
Australia

## CGS747 - Cynare Drum Simulator

Reproduced in collaboration with Ken Stone

### Mixer Stage

Size A4	FCSM No. 7/11/2010	DWG No. cgs747-mixer.schdoc	Rev 1f
Scale		Laurie Biddulph	Sheet 5 of 6



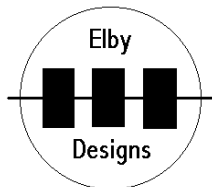
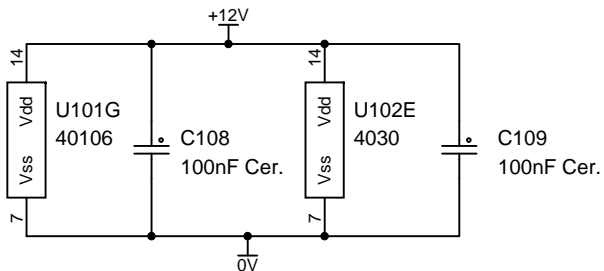
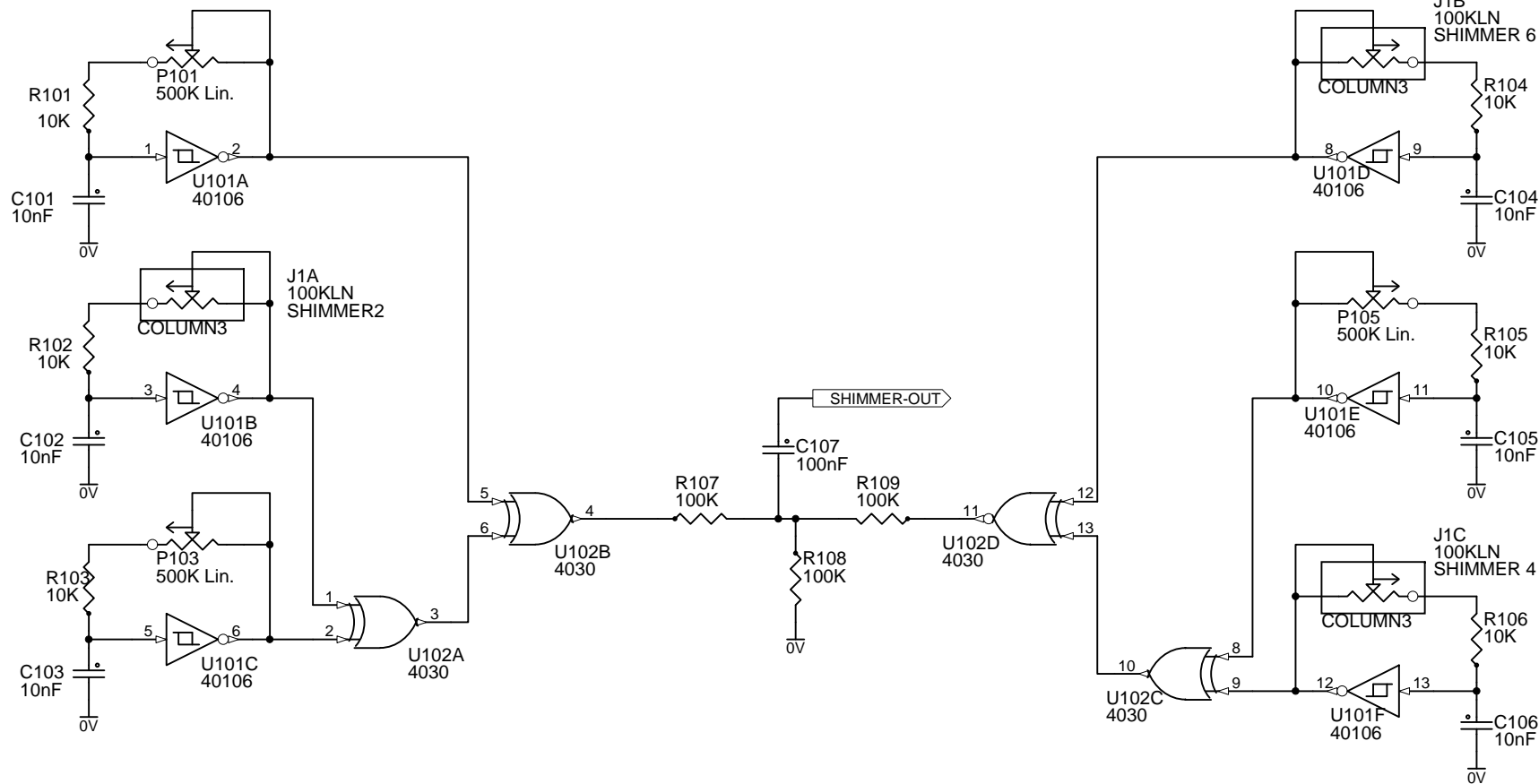
9 Follan Close  
Kariang  
NSW 2250  
Australia

## CGS747 - Cynare Drum Simulator

Reproduced in collaboration with Ken Stone

### Power Supply

Size A4	FCSM No. 7/11/2010	DWG No. cgs747-power.schdoc	Rev 1f
Scale	Laurie Biddulph	Sheet 6 of 6	



9 Follan Close  
Kariang  
NSW 2250  
Australia

# CGS747 - Cynare Drum Simulator

Reproduced in collaboration with Ken Stone

## Shimmer Circuit

Size A4	FCSM No. 7/11/2010	DWG No. cgs747-shimmer.SCHDOC	Rev 1.0c
Scale		Laurie Biddulph	Sheet 1 of 3

1

2

3

4

A

A

B

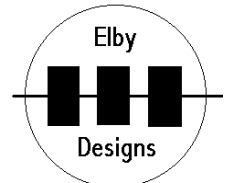
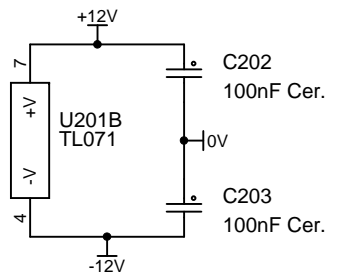
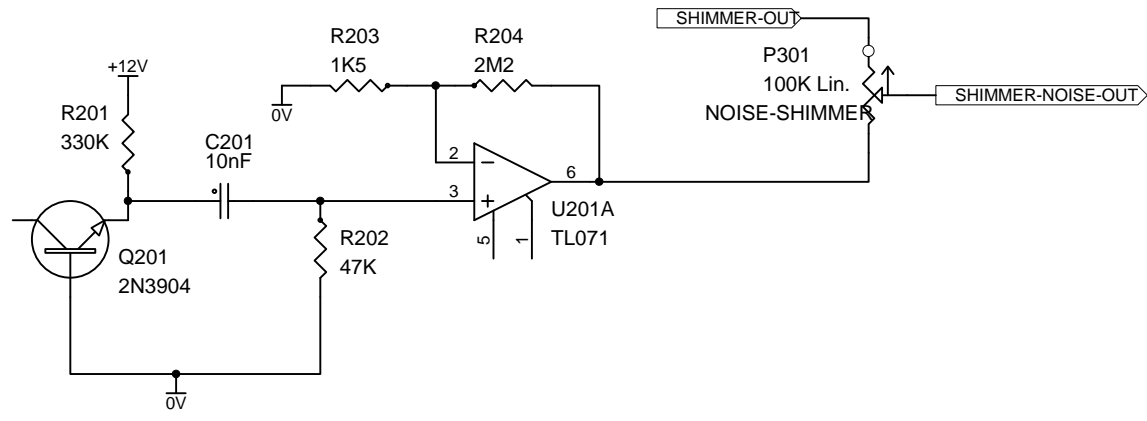
B

C

C

D

D



9 Follan Close  
Kariang  
NSW 2250  
Australia

# CGS747 - Cynare Drum Simulator

Reproduced in collaboration with Ken Stone

## Noise Generator

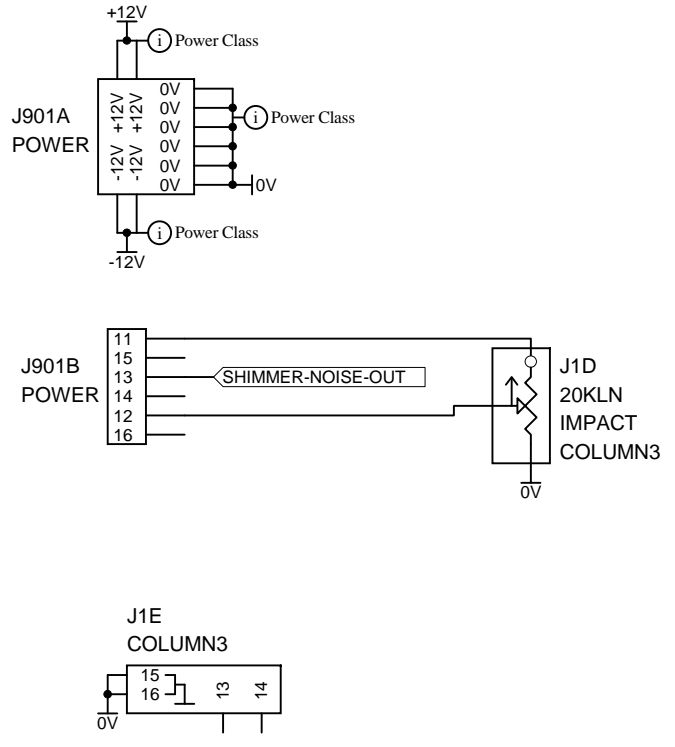
Size A4	FCSM No. 7/11/2010	DWG No. cgs747-noise.SCHDOC	Rev 1.0c
Scale		Laurie Biddulph	Sheet 2 of 3

1

2

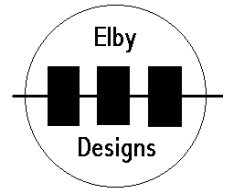
3

4



cgs747-shimmer.schdoc

cgs747-noise.schdoc



9 Follan Close  
 Kariang  
 NSW 2250  
 Australia

# CGS747 - Cynare Drum Simulator

Reproduced in collaboration with Ken Stone

## Power Supply

Size A4	FCSM No. 7/11/2010	DWG No. cgs747-power.schdoc	Rev 1.0c
Scale		Laurie Biddulph	Sheet 3 of 3