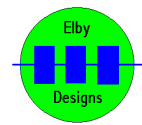


cgs735-power.schdoc  
 cgs735-main.schdoc



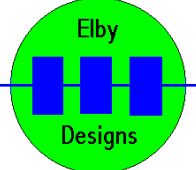
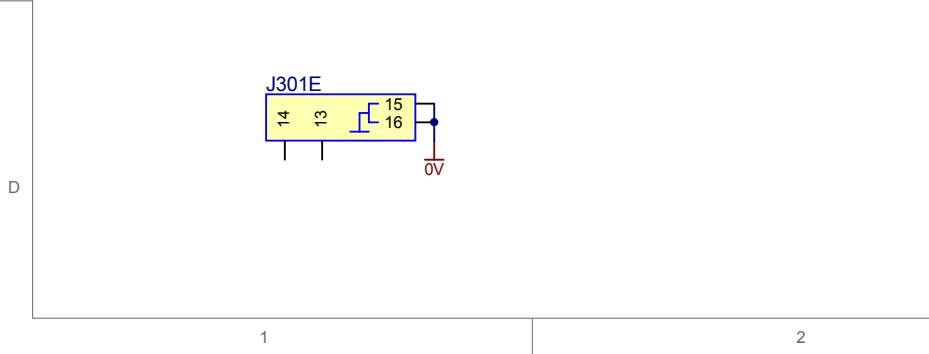
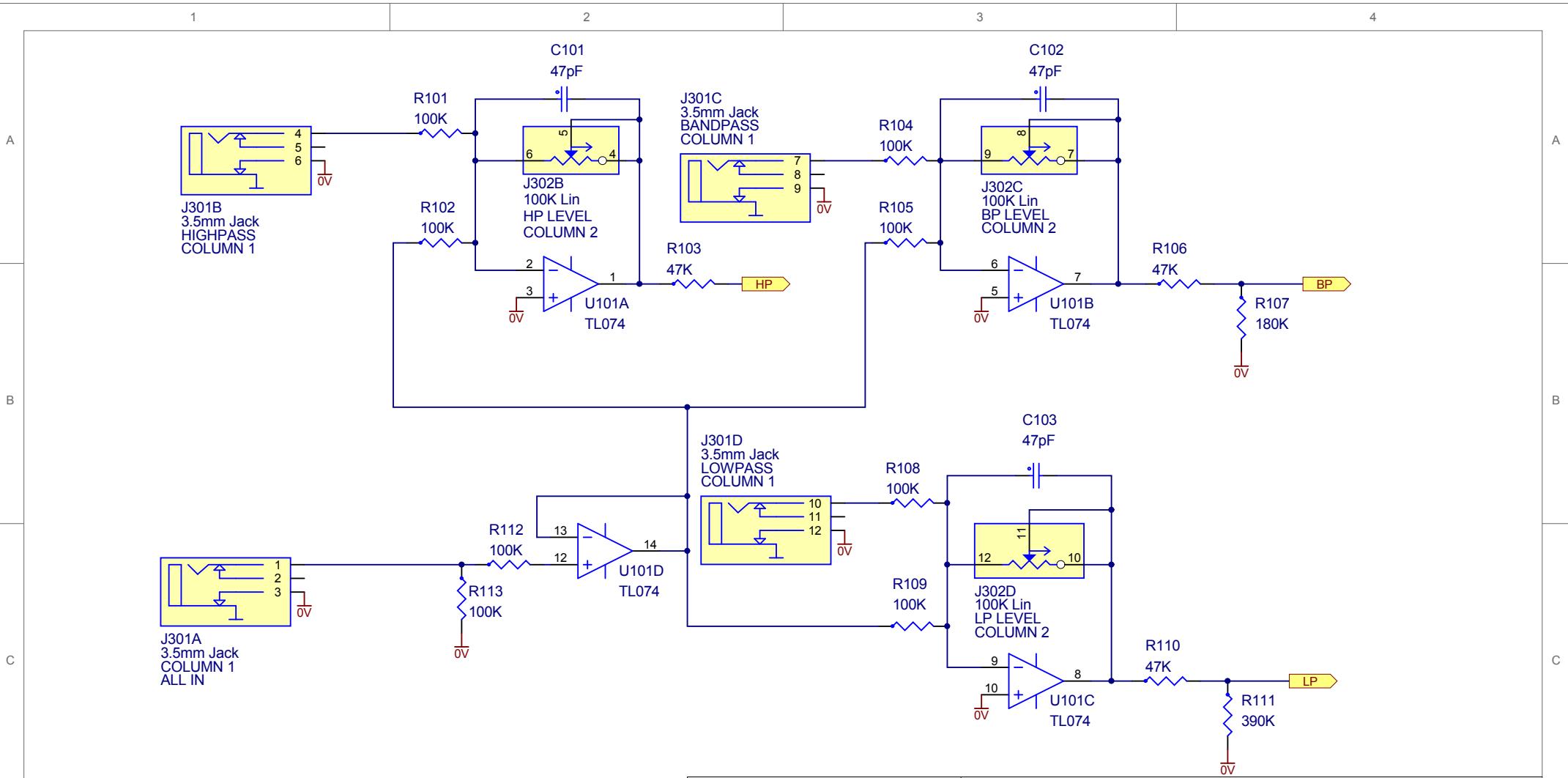
9 Follan Close  
 Kariang  
 NSW 2250  
 Australia

### CGS735 - Synthacon Filter

Reproduced in collaboration with Ken Stone

### Synthacon Filter

Size A3	FCSM No. 29/01/2010	DWG No. cgs735-main.schdoc	Rev 1.4
Scale	Laurie Biddulph		Sheet 1 of 3



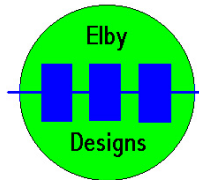
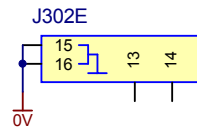
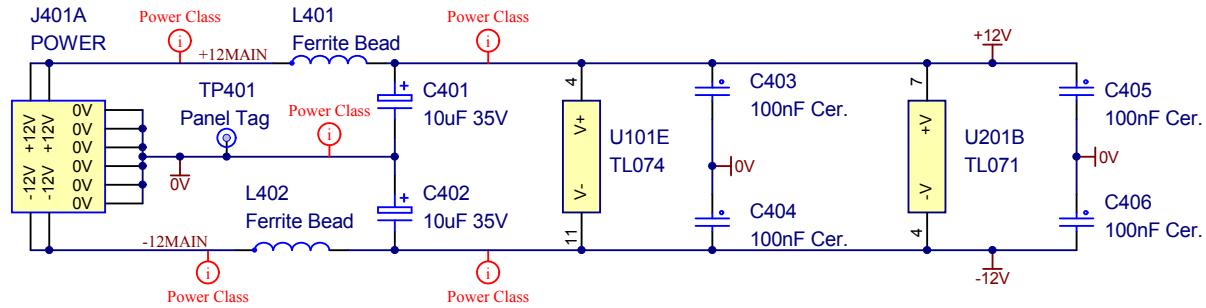
9 Follan Close  
Kariang  
NSW 2250  
Australia

### CGS735 - Synthacon Filter

Reproduced in collaboration with Ken Stone

### Mixer Stage

Size A4	FCSM No. 29/01/2010	DWG No. cgs735-mixer.schdoc	Rev 1.4
Scale		Laurie Biddulph	Sheet 2 of 3



9 Follan Close  
Kariong  
NSW 2250  
Australia

# CGS735 - Synthacon Filter

Reproduced in collaboration with Ken Stone

## Power Supply

Size A4	FCSM No. 29/01/2010	DWG No. cgs735-power.schdoc	Rev 1.4
Scale		Laurie Biddulph	Sheet 3 of 3