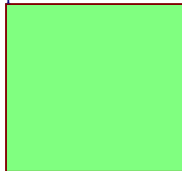
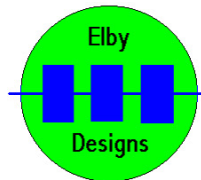
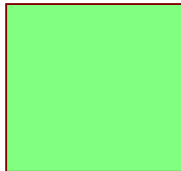


Power Supply
psu.sch



MIDI Interface
midi.schdoc

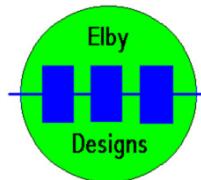
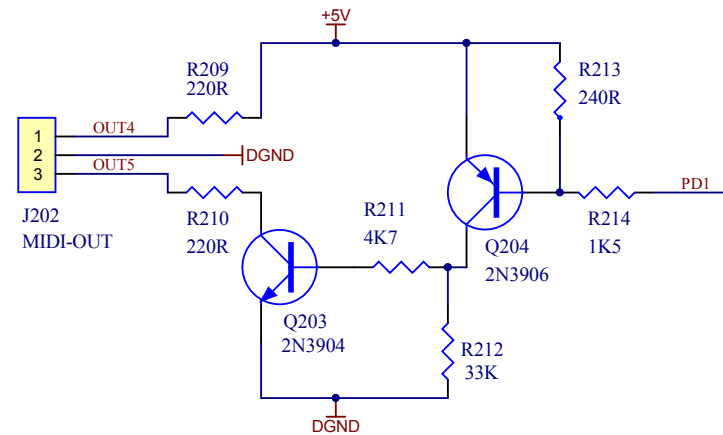
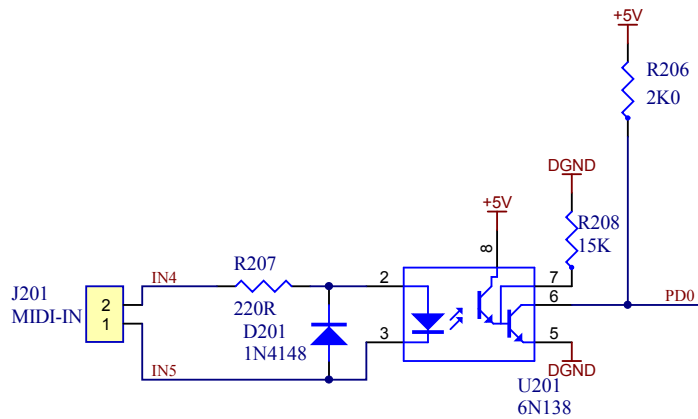


9 Follan Close
Kariang
NSW 2250
Australia

mini MIDI-WASP

Main Circuit

Size A4	FCSM No. 3/04/2009	DWG No. controller.sch	Rev 1
Scale	Laurie Biddulph		Sheet 1 of 3

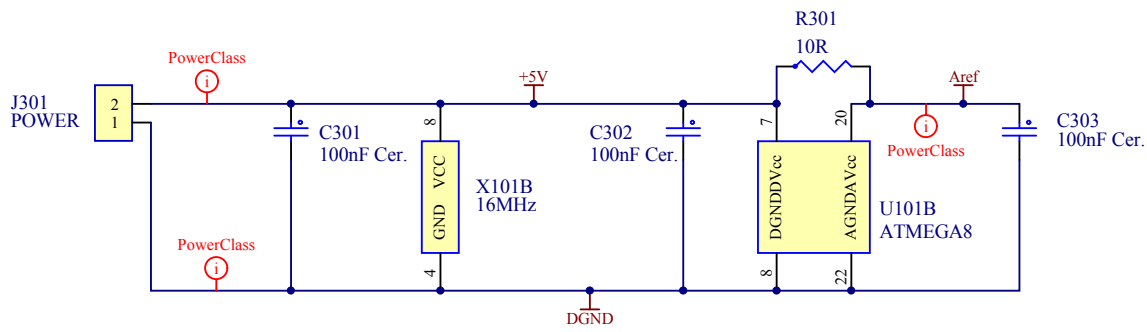


9 Follan Close
Kariong
NSW 2250
Australia

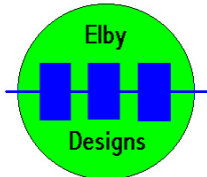
mini MIDI-WASP

MIDI Section

Size A4	FCSM No. 3/04/2009	DWG No. midi.schdoc	Rev 1
Scale	Laurie Biddulph		Sheet 2 of 3



□- □-



9 Follan Close
Kariong
NSW 2250
Australia

mini MIDI-WASP

Power Supply

Size A4	FCSM No. 3/04/2009	DWG No. psu.sch	Rev 1
Scale	Laurie Biddulph		Sheet 3 of 3