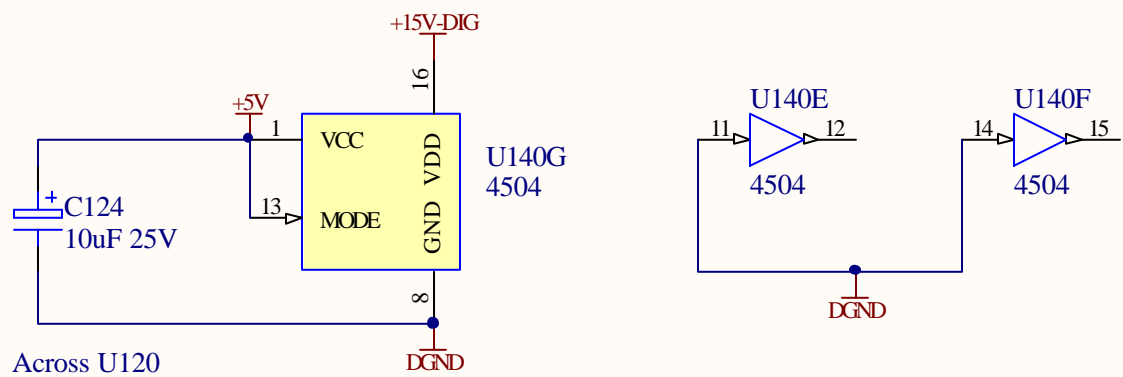
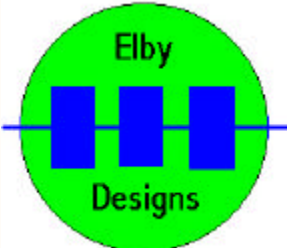
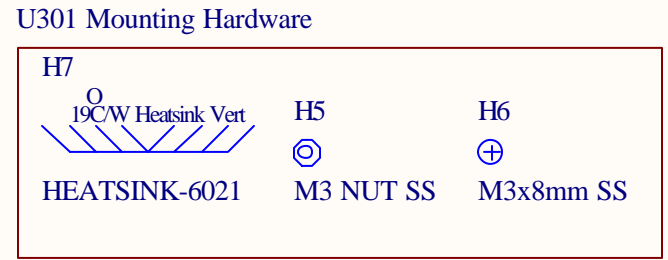
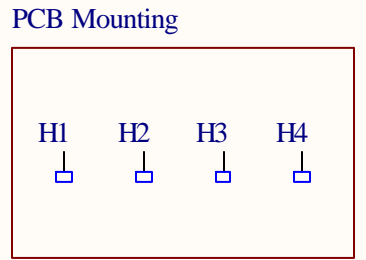


If external power supply has separate analog (AGND) and digital (DGND) grounds then do not fit LK301.
 If external supply only has a single ground then LK301 must be fitted.



Across U120



9 Follan Close
 Karing
 NSW 2250
 Australia

MIDI-CV

Power Supply

Size A4	FCSM No. 26/02/2006	DWG.No. power.s03	Rev 3
Scale	Laurie Biddulph		Sheet 3 of 4