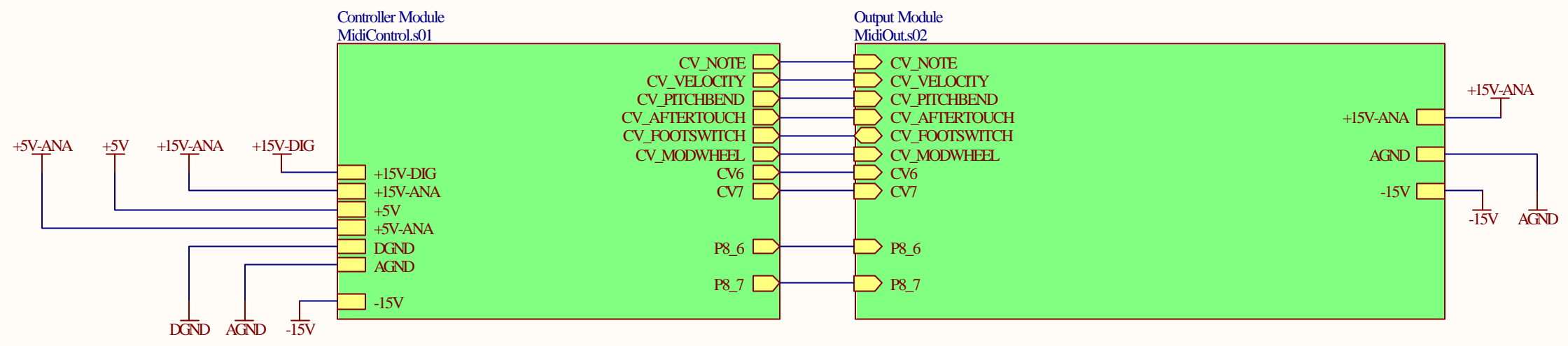


A

A



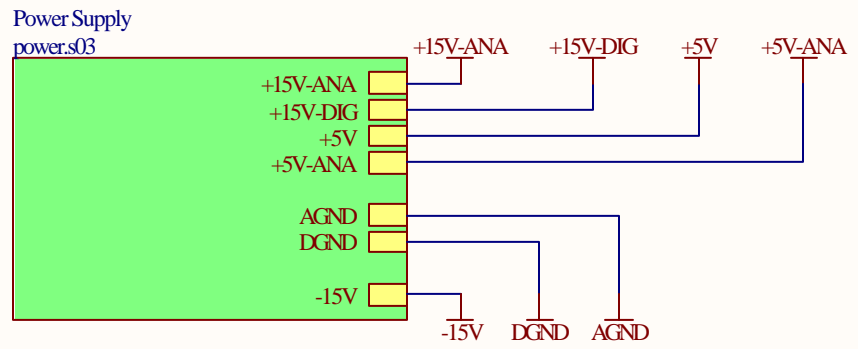
B

B



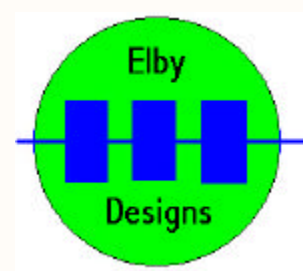
C

C



D

D



9 Follan Close
 Kariong
 NSW 2250
 Australia

MIDI-CV

Block Diagram

Size A4	FCSM No. 26/02/2006	DWG No. MIDI-CV.prj	Rev 3
Scale	Laurie Biddulph		Sheet 0 of 4