

A

B

C

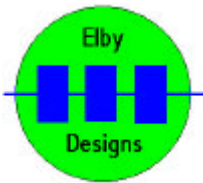
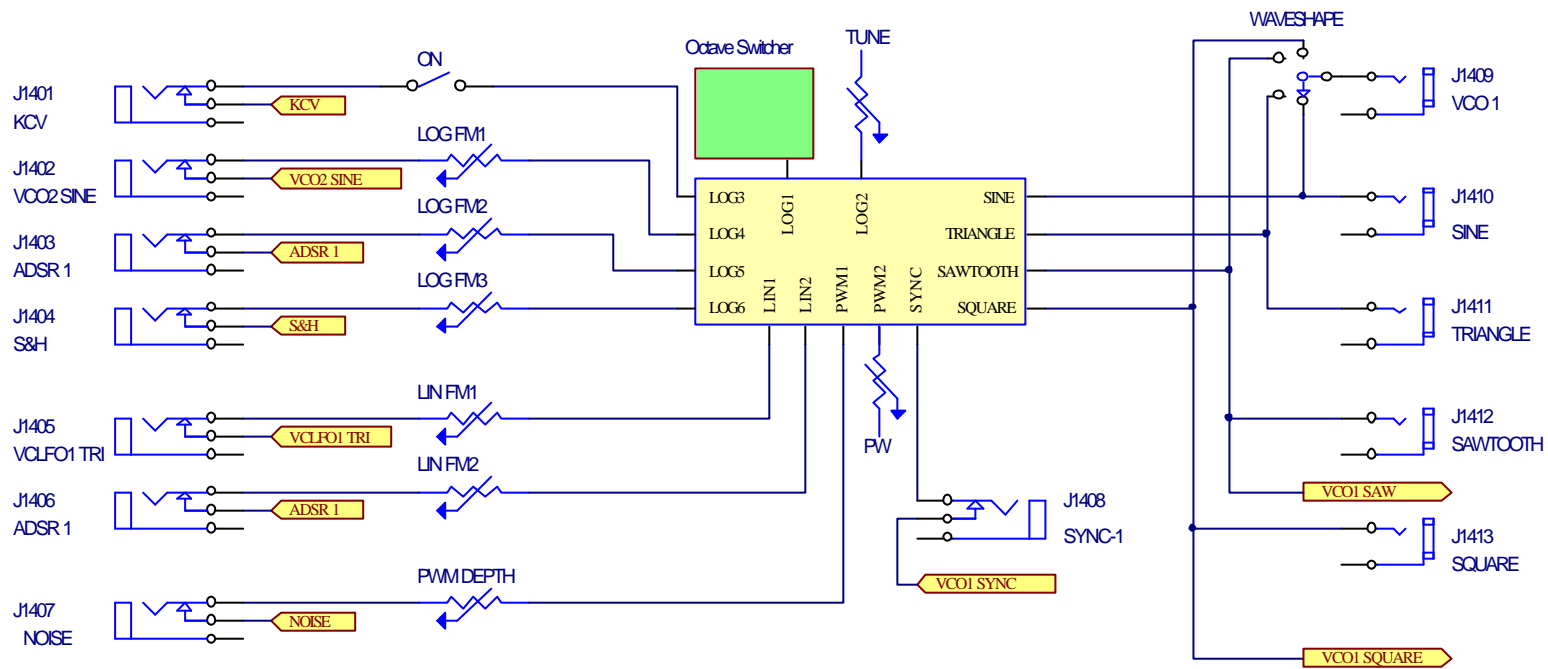
D

A

B

C

D



9 Follan Close
Karing
NSW 2250
Australia

ASM2-Wizard

VCO 1

| | | | |
|------------|---------------------|------------------------|-------------------|
| Size A4 | FCSM No. 6102006 | DWG No. vco1.schdoc | Rev 1 |
| Scale | Laurie Bidulph | | Sheet 14 of 18 |