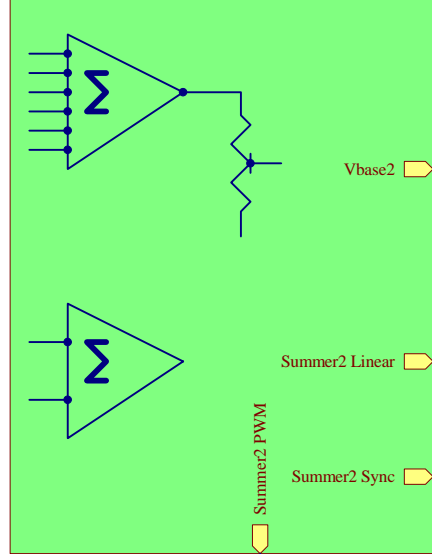
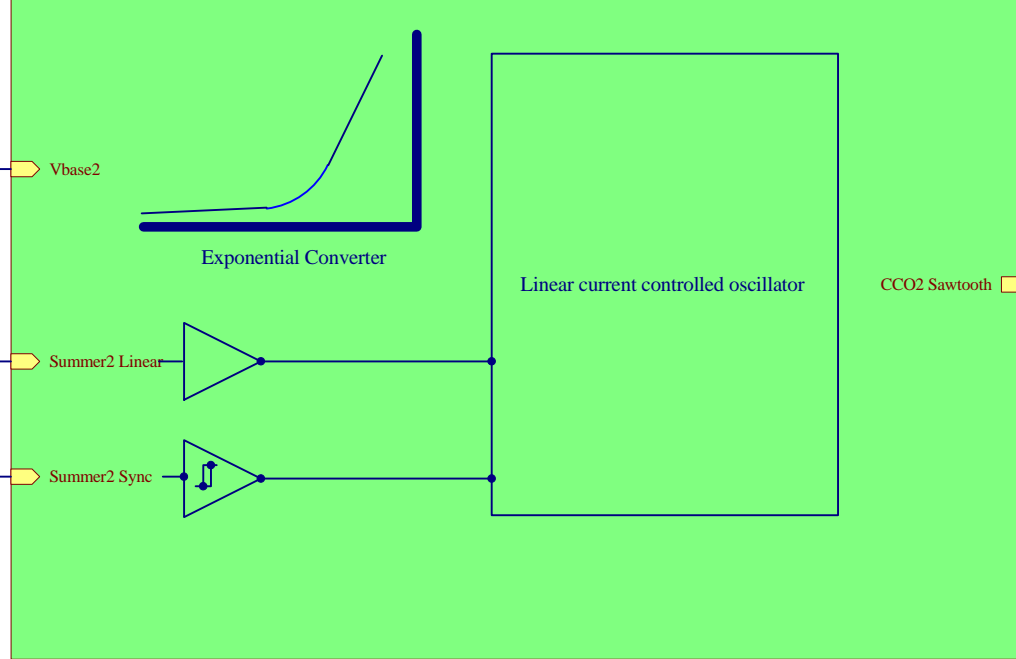


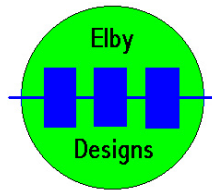
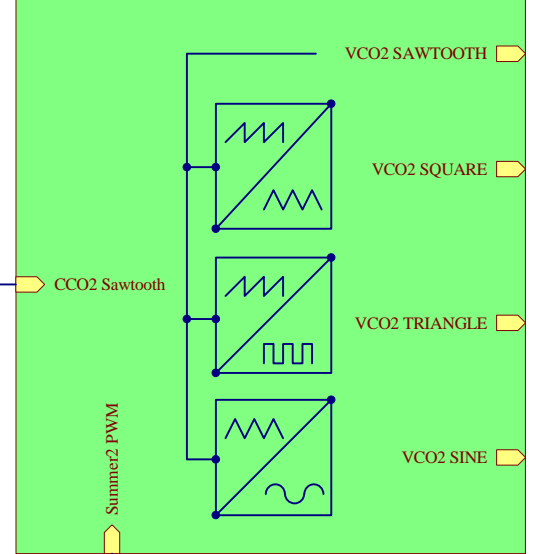
VCO 2 Summer



VCO 2 Current Controlled Oscillator



VCO 2 Wave Shaper



9 Follan Close  
Kariong  
NSW 2250  
Australia

# ASM-2 VCO (2)

## Block Diagram

Size A4	FCSM No. 21/08/2010	DWG No. vco2.schdoc	Rev 1
Scale	Laurie Biddulph		Sheet 20 of 24