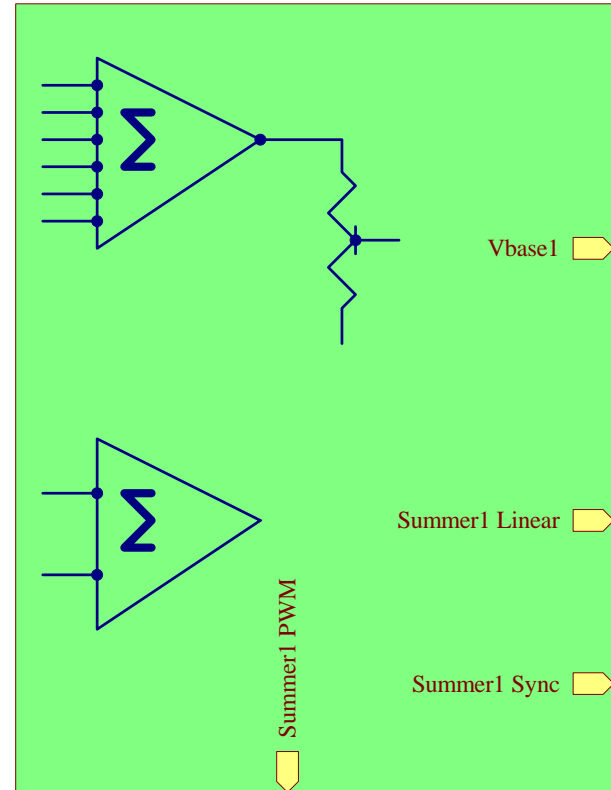
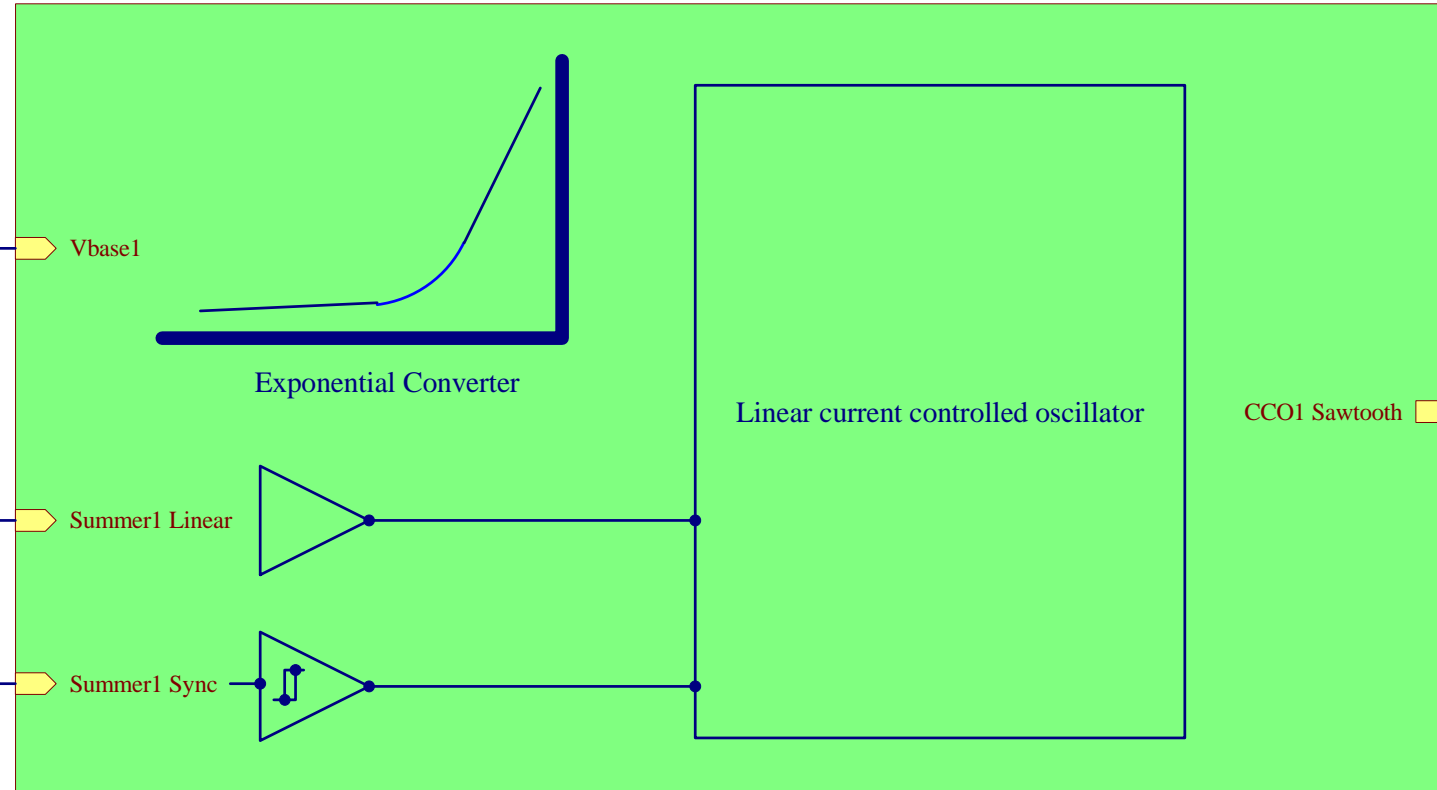


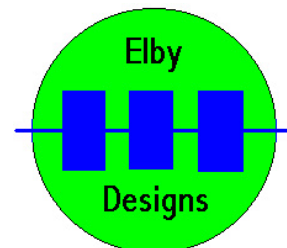
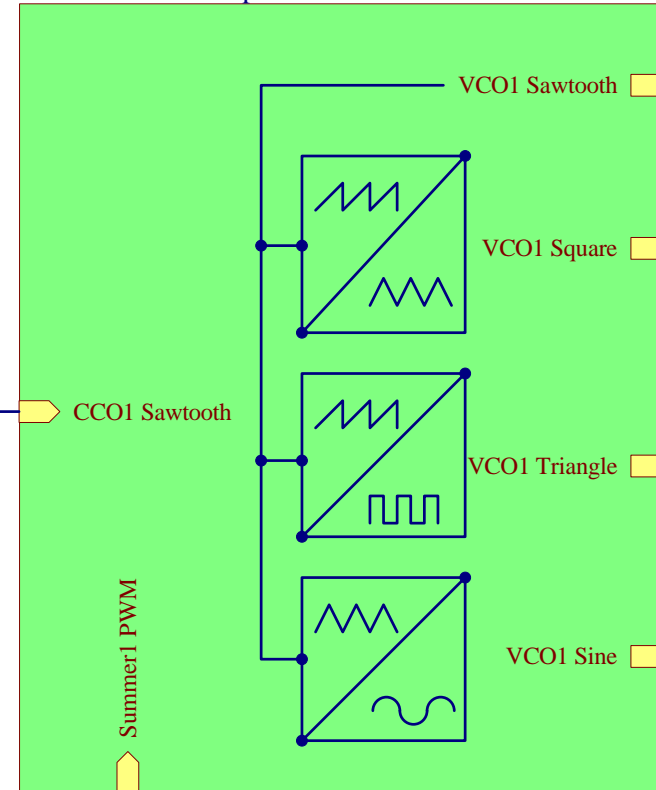
VCO 1 Summer



VCO 1 Current Controlled Oscillator



VCO 1 Wave Shaper



9 Follan Close  
Kariong  
NSW 2250  
Australia

ASM-2 VCO 1

Block Diagram

Size A4	FCSM No. 21/08/2010	DWG No. vco1.schdoc	Rev 1
Scale	Laurie Biddulph	Sheet 16 of 24	