

A

A

B

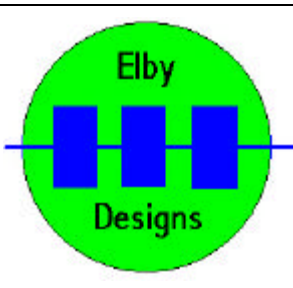
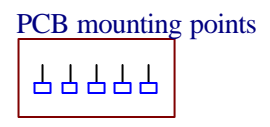
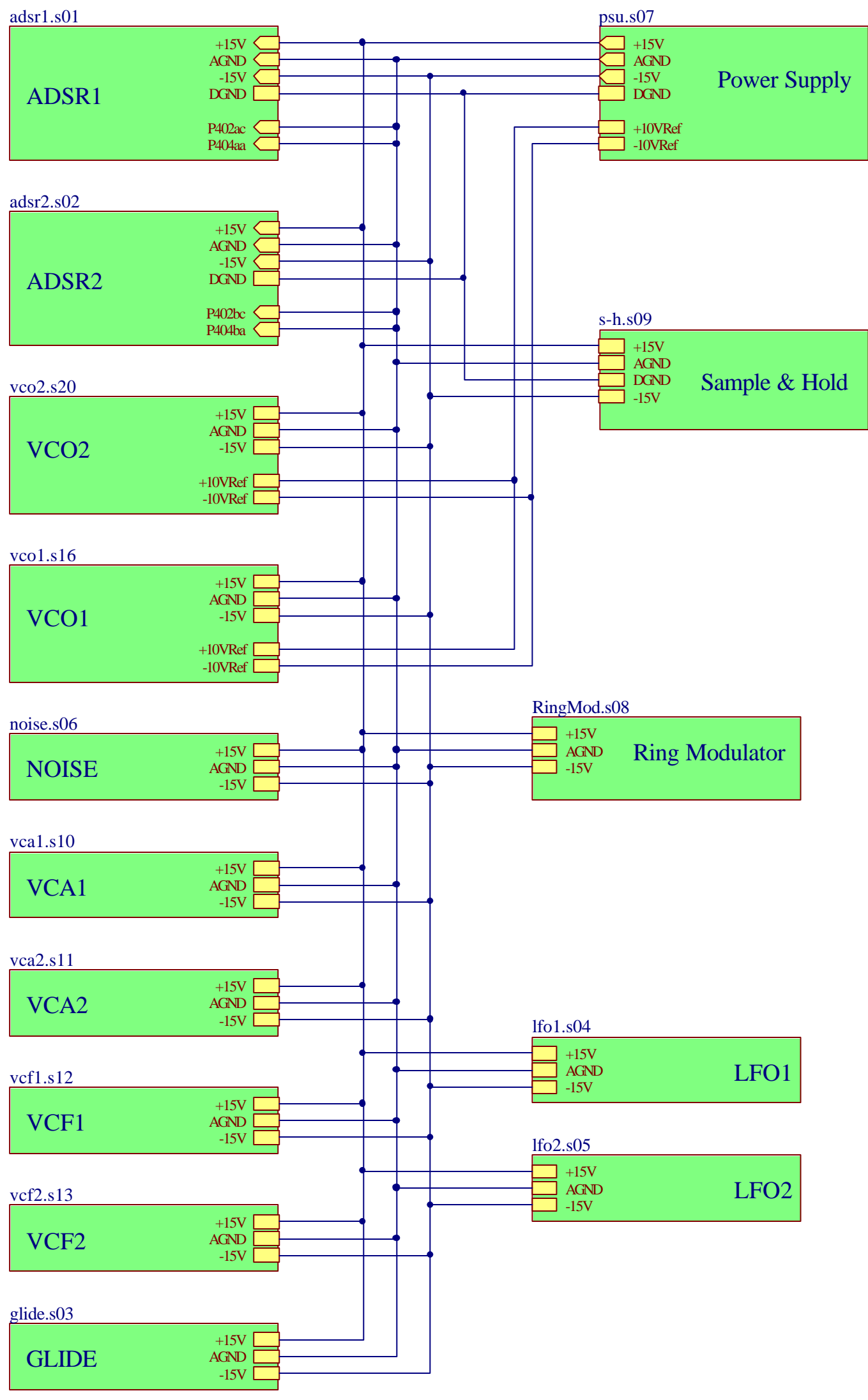
B

C

C

D

D



9 Follan Close
Kariang
NSW 2250
Australia

ASM-2

Block Diagram

Size A4	FCSM No. 23/04/2006	DWG No. asm2.prj	Rev 1
Scale	Laurie Biddulph		Sheet 0 of 24