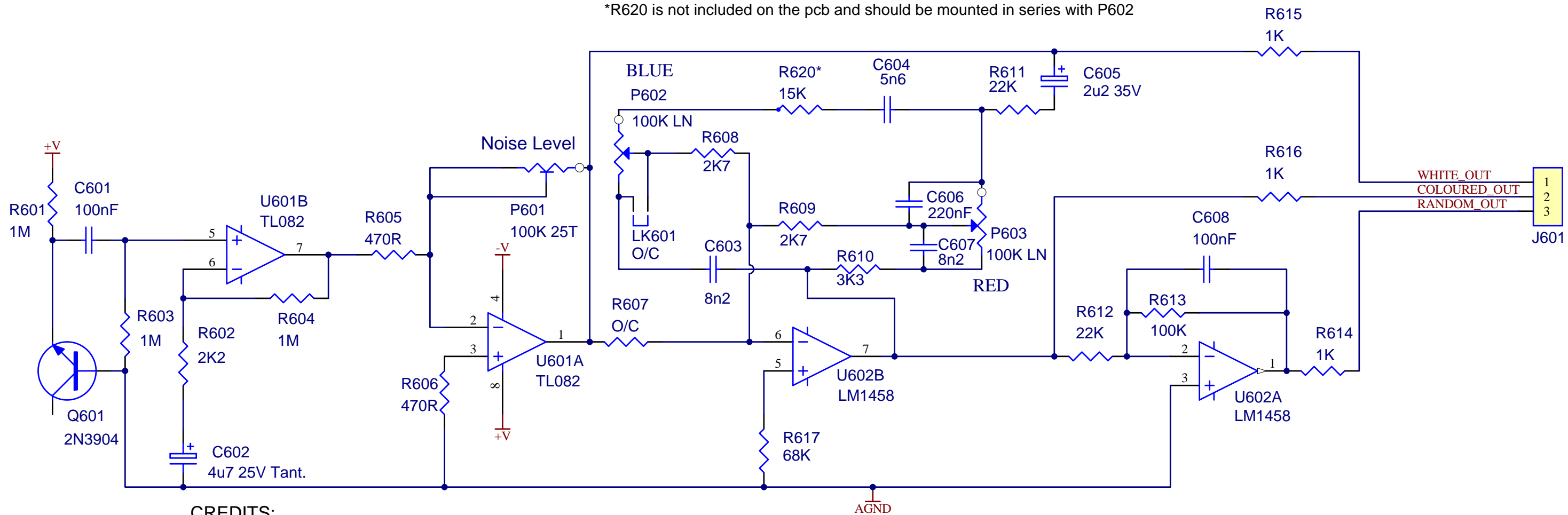


*R620 is not included on the pcb and should be be mounted in series with P602



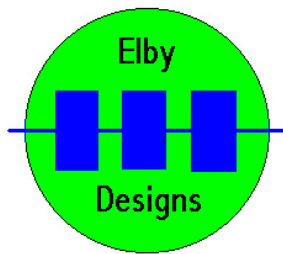
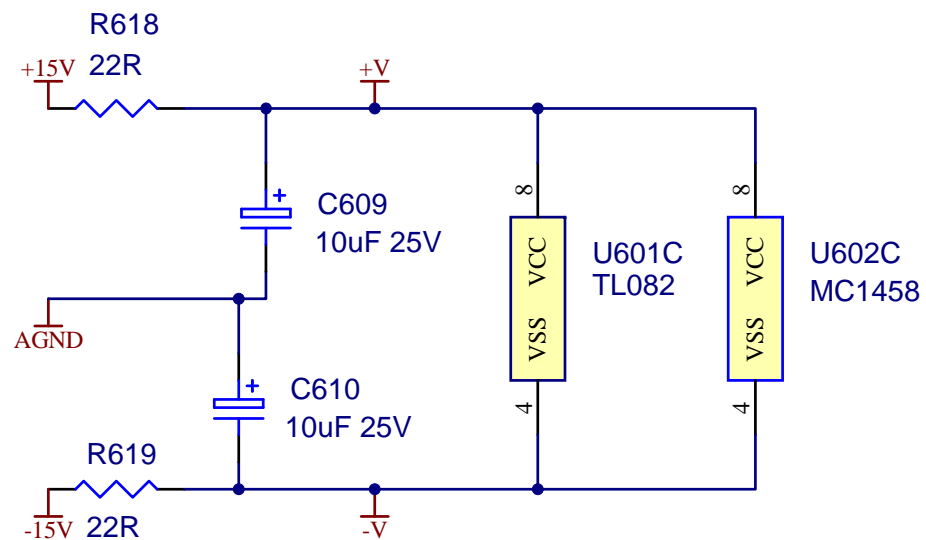
CREDITS:

Terry Mikulic
 "Reader's Equipment - Four Analog Circuits from Terry Mikulic"
 Electronotes, Vol. 5, No. 34, Jan 25, 1974, pg 16

Bernie Hutchins
 "The ENS-76 Home-Built Synthesizer System - Part 8, Noise Sources"
 Electronotes, Vol. 9, No.76, Apr. 1977, pp 3-4

To reproduce the original ASM-1 Noise module:

- Remove P602, P603, R611 and C605
- Fit R607 with 100K
- Replace R610, R617, C606 and C607 with wire links
- Change C603 to 1nF
- Fit LK601 with a wire link
- Replace R608 with a wire link
- Change R609 to 270K
- Fit a 47K across P602c-P602w
- Change C604 to 10nF



9 Follan Close
 Kariong
 NSW, 2250
 Australia

ASM-2

Noise Module

Size A4	FCSM No. 21/08/2010	DWG No. noise.schdoc	Rev C
Scale	Laurie Biddulph		Sheet 6 of 24