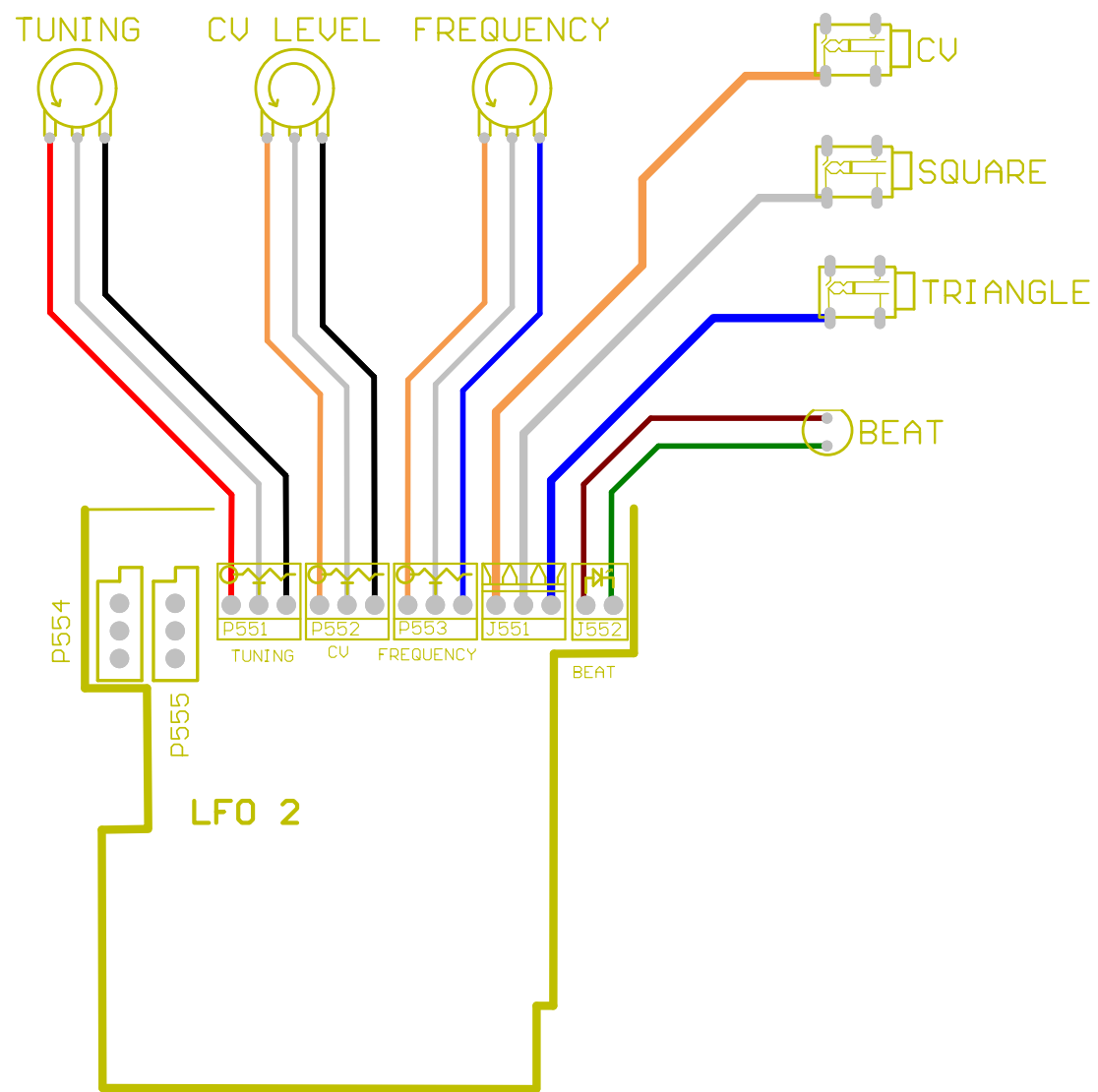


Panel components viewed from the rear



Elby Designs
 Kariong, NSW 2250
 Australia
 www.elby-designs.com

Title: ASM2-Wizard
 UCLFO 2
 Wiring Details

All dimensions in millimeters
 unless stated otherwise.

(A4) Not to scale

Rev: 1

Date: 23/02/07