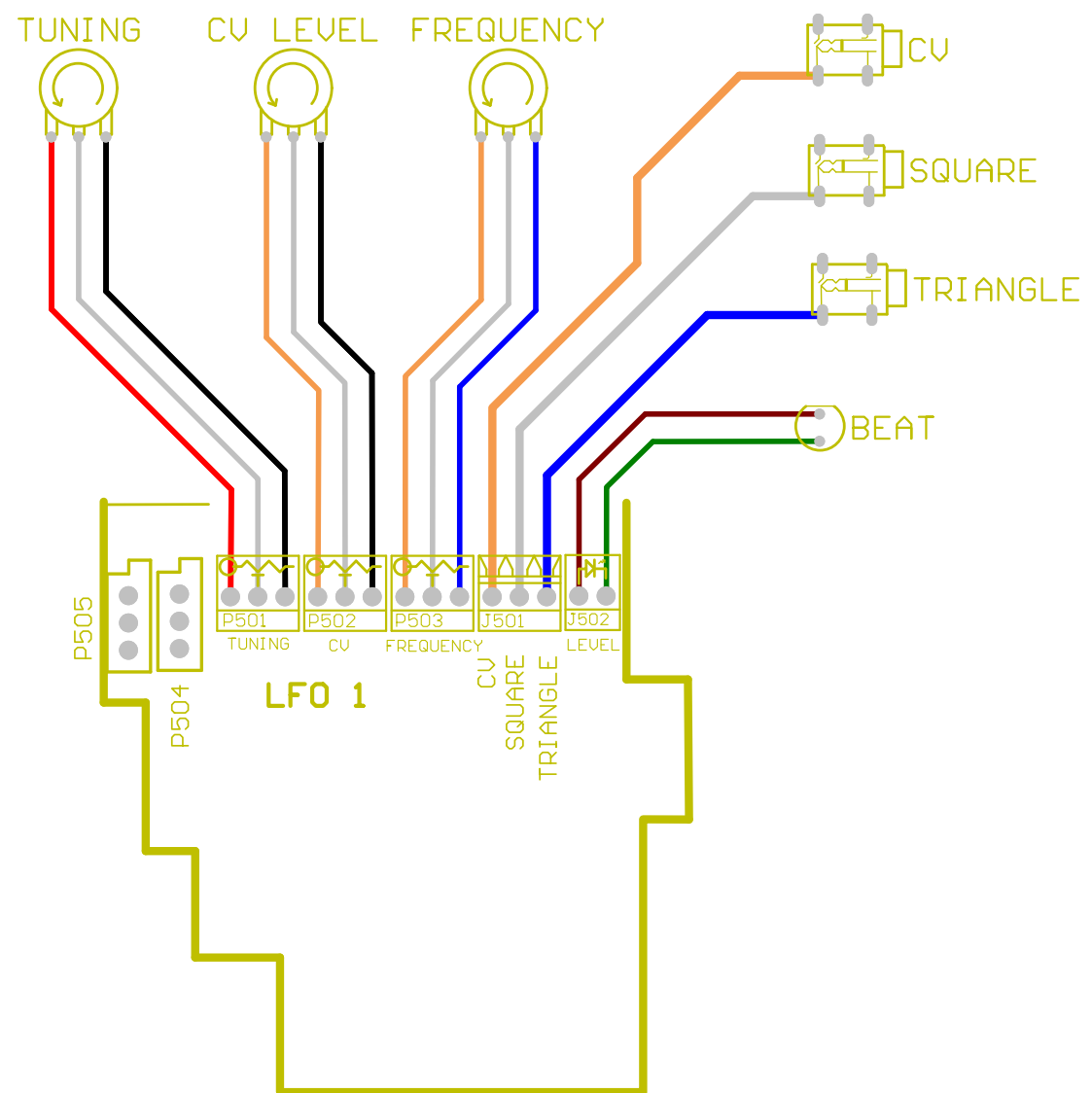


Panel components viewed from solder side



Elby Designs
 Kariong, NSW 2250
 Australia
www.elby-designs.com

Title: ASM2-Wizard
 VCLFO 1
 Wiring Details

All dimensions in millimeters
 unless stated otherwise.

(A4) Not to scale

Rev: 1

Date: 23/02/07