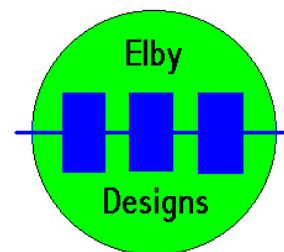
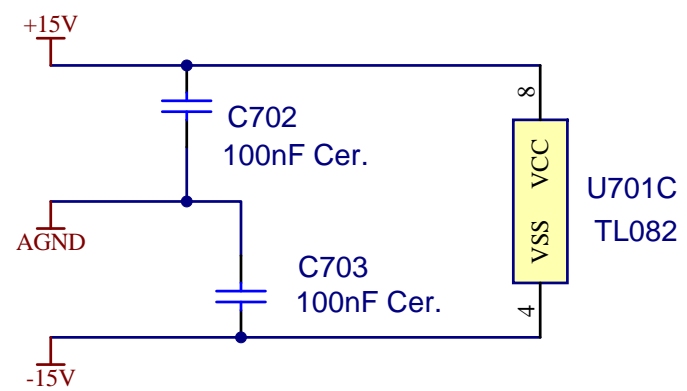


Switch shown in LINEAR position  
Switch (either JP701 OR JP702) may be replace with hard-wired links if required



9 Follan Close  
Kariong  
NSW, 2250  
Australia

ASM-2

Glide

Size A4	FCSM No. 21/08/2010	DWG No. glide.schdoc	Rev A
Scale	Laurie Biddulph	Sheet 3 of 24	