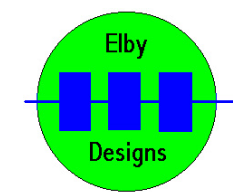
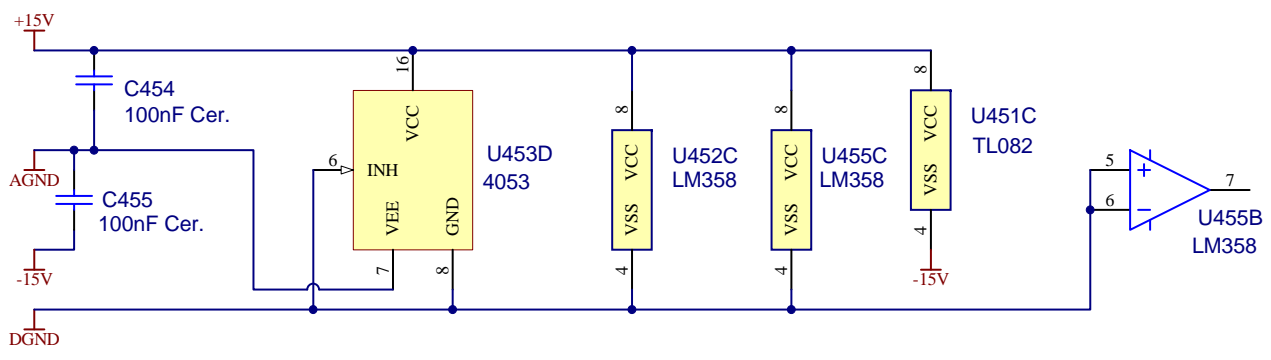


Adjust the values of R453 and/or R454 to get a different 'minimum trigger voltage'.
Current values require a trigger greater than 2.4V



9 Follan Close
Kariang
NSW 2250
Australia

ASM-2 Envelope Generator (ADSR 2)

Size A3	FCSM No. 21/08/2010	DWG No. adsr2.schdoc	Rev A
Scale	Laurie Biddulph		Sheet 2 of 24