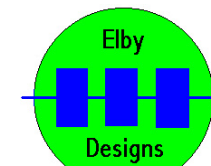
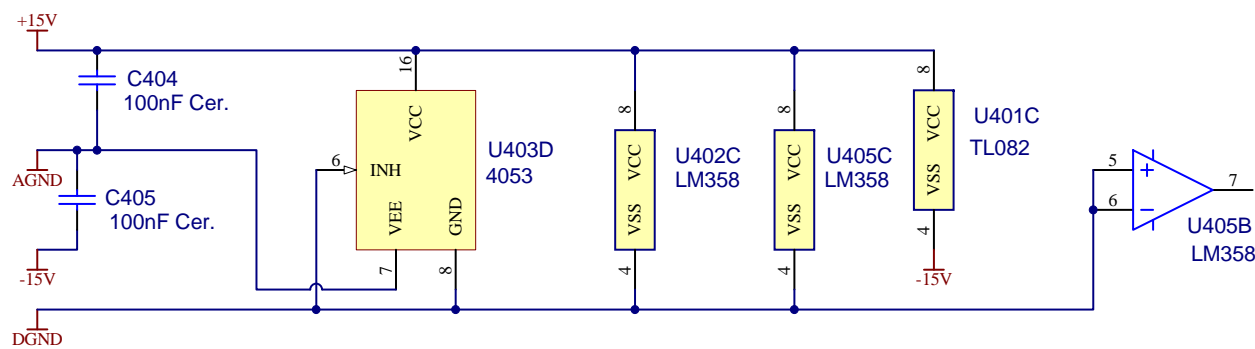


Adjust the values of R403 and/or R404 to get a different 'minimum trigger voltage'.
Current values require a trigger greater than 2.4V



9 Follan Close
Kariang
NSW 2250
Australia

ASM-2

Envelope Generator (ADSR 1)

Reproduced with permission from Gene Stopp

Size A3	FCSM No. 21/08/2010	DWG No. adsr1.schdoc	Rev A
Scale	Laurie Biddulph		Sheet 1 of 24